

SAMSUNG

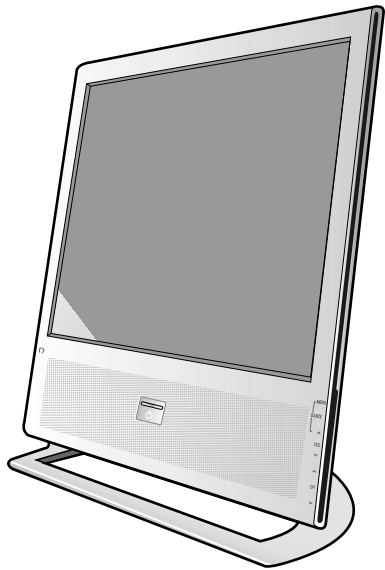
CONFIDENTIAL

TFT-LCD TV/MONITOR

Chassis Model
MB15E* LW15S13C

SERVICE Manual

TFT-LCD TV/MONITOR



CONTENTS

1. Precautions
2. Product Specifications
3. Disassembly & Reassembly
4. Alignment & Adjustments
5. Troubleshooting
6. Exploded View & Parts List
7. Electrical Parts List
8. Block Diagram
9. Wiring Diagram
10. Schematic Diagrams
11. Panel Description

1 Precautions

Follow these safety, servicing and ESD precautions to prevent damage and to protect against potential hazards such as electrical shock.

1-1 Safety Precautions

1-1-1 Warnings

1. For continued safety, do not attempt to modify the circuit board.
2. Disconnect the AC power and DC Power Jack before servicing.

1-1-2 Servicing the LCD Monitor

1. When servicing the LCD Monitor disconnect the AC line cord from the AC outlet.
2. It is essential that service technicians have an accurate voltage meter available at all times. Check the calibration of this meter periodically.

1-1-3 Fire and Shock Hazard

Before returning the monitor to the user, perform the following safety checks:

1. Inspect each lead dress to make certain that the leads are not pinched or that hardware is not lodged between the chassis and other metal parts in the monitor.
2. Inspect all protective devices such as nonmetallic control knobs, insulating materials, cabinet backs, adjustment and compartment covers or shields, isolation resistor-capacitor networks, mechanical insulators, etc.
3. Leakage Current Hot Check (Figure 1-1):
WARNING: Do not use an isolation transformer during this test.

Use a leakage current tester or a metering system that complies with American National Standards Institute (*ANSI C101.1, Leakage Current for Appliances*), and Underwriters Laboratories (*UL Publication UL1410, 59.7*).

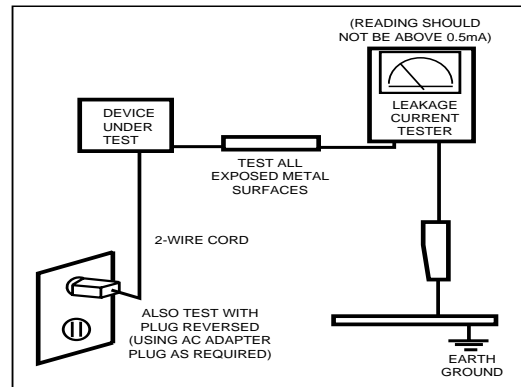



Figure 1-1. Leakage Current Test Circuit

4. With the unit completely reassembled, plug the AC line cord directly into a 120V AC outlet. With the unit's AC switch first in the ON position and then OFF, measure the current between a known earth ground (metal water pipe, conduit, etc.) and all exposed metal parts, including: metal cabinets, screwheads and control shafts. The current measured should not exceed 0.5 milliamp. Reverse the power-plug prongs in the AC outlet and repeat the test.

1-1-4 Product Safety Notices

Some electrical and mechanical parts have special safety-related characteristics which are often not evident from visual inspection. The protection they give may not be obtained by replacing them with components rated for higher voltage, wattage, etc. Parts that have special safety characteristics are identified by  on schematics and parts lists. A substitute replacement that does not have the same safety characteristics as the recommended replacement part might create shock, fire and/or other hazards. Product safety is under review continuously and new instructions are issued whenever appropriate.

1-2 Servicing Precautions

WARNING: An electrolytic capacitor installed with the wrong polarity might explode.

Caution: Before servicing units covered by this service manual, read and follow the Safety Precautions section of this manual.

Note: If unforeseen circumstances create conflict between the following servicing precautions and any of the safety precautions, always follow the safety precautions.

1-2-1 General Servicing Precautions

1. Always unplug the unit's AC power cord from the AC power source and disconnect the DC Power Jack before attempting to:
 - (a) remove or reinstall any component or assembly,
 - (b) disconnect PCB plugs or connectors, (c) connect a test component in parallel with an electrolytic capacitor.
2. Some components are raised above the printed circuit board for safety. An insulation tube or tape is sometimes used. The internal wiring is sometimes clamped to prevent contact with thermally hot components. Reinstall all such elements to their original position.
3. After servicing, always check that the screws, components and wiring have been correctly reinstalled. Make sure that the area around the serviced part has not been damaged.
4. Check the insulation between the blades of the AC plug and accessible conductive parts (examples: metal panels, input terminals and earphone jacks).
5. Insulation Checking Procedure: Disconnect the power cord from the AC source and turn the power switch ON. Connect an insulation resistance meter (500 V) to the blades of the AC plug.
The insulation resistance between each blade of the AC plug and accessible conductive parts (see above) should be greater than 1 megohm.
6. Always connect a test instrument's ground lead to the instrument chassis ground before connecting the positive lead; always remove the instrument's ground lead last.

1-3 Electrostatically Sensitive Devices (ESD) Precautions

Some semiconductor (solid state) devices can be easily damaged by static electricity. Such components are commonly called Electrostatically Sensitive Devices (ESD). Examples of typical ESD are integrated circuits and some field-effect transistors. The following techniques will reduce the incidence of component damage caused by static electricity.

1. Immediately before handling any semiconductor components or assemblies, drain the electrostatic charge from your body by touching a known earth ground. Alternatively, wear a discharging wrist-strap device. To avoid a shock hazard, be sure to remove the wrist strap before applying power to the monitor.
2. After removing an ESD-equipped assembly, place it on a conductive surface such as aluminum foil to prevent accumulation of an electrostatic charge.
3. Do not use freon-propelled chemicals. These can generate electrical charges sufficient to damage ESDs.
4. Use only a grounded-tip soldering iron to solder or desolder ESDs.
5. Use only an anti-static solder removal device. Some solder removal devices not classified as "anti-static" can generate electrical charges sufficient to damage ESDs.
6. Do not remove a replacement ESD from its protective package until you are ready to install it. Most replacement ESDs are packaged with leads that are electrically shorted together by conductive foam, aluminum foil or other conductive materials.
7. Immediately before removing the protective material from the leads of a replacement ESD, touch the protective material to the chassis or circuit assembly into which the device will be installed.
Caution: Be sure no power is applied to the chassis or circuit and observe all other safety precautions.
8. Minimize body motions when handling unpackaged replacement ESDs. Motions such as brushing clothes together, or lifting your foot from a carpeted floor can generate enough static electricity to damage an ESD.

2 Product Specifications

2-1 Specifications

Item	Description	
LCD Panel	TFT-LCD panel, RGB vertical stripe, normaly white, 15-Inch viewable, 0.297 mm pixel pitch	
Scanning Frequency	Horizontal : 30 kHz ~ 61 kHz (Automatic) Vertical : 56 Hz ~ 75 Hz (Automatic)	
Display Colors	16.7 Million colors	
Maximum Resolution	Horizontal : 1024 Pixels Vertical : 768 Pixels	
Input Video Signal	Analog 0.7 Vp-p ± 5% positive at 75 Ω, internally terminated	
Input Sync Signal	Type : Seperate H/V Level : TTL level	
Maximum Pixel Clock rate	80 MHz	
Active Display Horizontal/Vertical	304.1 mm / 228.1 mm	
AC power voltage & Frequency	AC 90 ~ 264 Volts, 60 / 50 Hz ± 3 Hz	
Power Consumption	43W (Max)	
Dimensions Unit (W x D x H) Carton (W x D x H)	13.6 x 6.7 x 14.2 Inches (346.0 x 169.0 x 361.5 mm) 16.8 x 4.5 x 21.0 Inches (427 x 114 x 535 mm)	
Weight	3.2 Kg / 7.05 lbs (With Stand)	
Environmental Considerations	Operating Temperature : 50 °F ~ 104 °F (10 °C ~ 40 °C) Humidity : 10 % ~ 80 % Storage Temperature : -4 °F ~ 113 °F (-20 °C ~ 45 °C) Humidity : 5 % ~ 95 %	
TV System	Tunning	Frequency Synthesize
	System	PAL, SECAM, NTSC4.4
	Sound	BG, DK, I, L, L'
Antena Input	75Ω, Coaxial Cable	
Sound Characteristic	– MAX Internal speaker Out : Right => 3W Left => 3W	
	– BASS Control Range : -12 dB~ + 12 dB – TREBLE Control Range : -12 dB~ + 12 dB – Headphone Out: 5mW max (400m Vrms) – Output Frequency : RF => 80 Hz ~ 15 kHz A/V => 80 Hz ~ 15 kHz	

2-2 Pin Assignments

2-2-1 D-SUB

Pin	Separate
1	Red
2	Green
3	Blue
4	GND
5	GND (DDC Return)
6	GND-Red
7	GND-Green
8	GND-Blue
9	No Connection
10	GND-Sync./Self Test
11	GND
12	DDC Data
13	H-Sync.
14	V-Sync.
15	DDC Clock

2-2-2 SCART

Pin NO	Items	Scart
1	Audio Out (R;500mV/1K Ω)	○
2	Audio IN (R;500mV/10K Ω)	○
3	Audio Out (L;500mV/1K Ω)	○
4	Audio Common GND	○
5	Blue GND	○
6	Audio IN (L;500mV/10K)	○
7	Blue IN (700mV/75 Ω)	○
8	Function S/W (0-2V/9, 5V-12V)	○
9	Green GND	○
10	No Connection	○
11	Green IN (700mV/75 Ω)	○
12	No Connection	○
13	Red GND	○
14	F/B GND	○
15	Red IN (700mV/75 Ω)	○
16	RGB F/B (0-0, 4V1-3V)	○
17	Video Output GND	○
18	Video Input GND	○
19	CVBS Out (1V/75 Ω)	○
20	CVBS IN (1V/75 Ω)	○
21	Common GND	○

2-2-3 S-Video

Pin	Separate
1	Y
2	C
3	GND
4	GND
5	GND

2-2-4 A/V

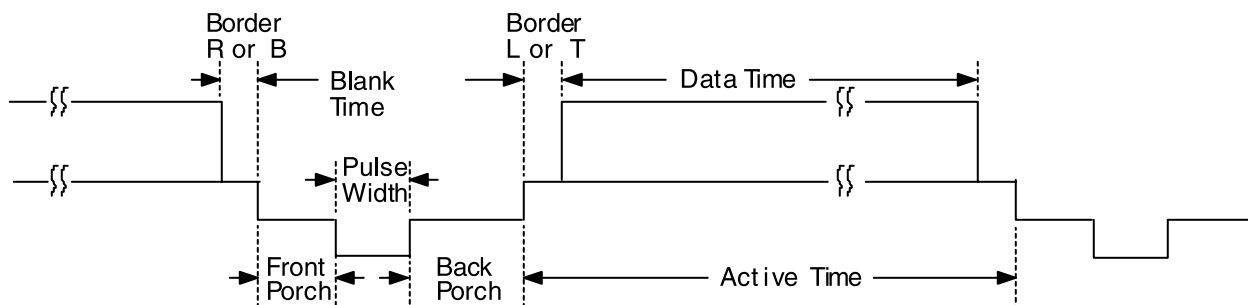
RCA Yellow	CVBS
RCA White	Audio L
	GND
RCA Red	Audio R
	GND

2-3 Timing Chart

This section of the service manual describes the timing that the computer industry recognizes as standard for computer-generated video signals.

2-3-1 LCD Panel Mode : 1 mode

Timing No.	15
Originator	VESA
Mode Name	1024/60Hz
Resolution (HxV)	1024x768
HORIZONTAL	
Frequency	48.363kHz
Total time	20.677 μ s
Active time	15.754 μ s
Blank time	4.923 μ s
Border (L / R)	0.000 μ s
Data time	15.754 μ s
Front porch	0.369 μ s
Sync. width	2.092 μ s
Back porch	2.462 μ s
Sync. polarity	Negative
VERTICAL	
Frequency	60.004Hz
Total time	16.666ms
Active time	15.880ms
Blank time	0.786ms
Border (T / B)	0.000ms
Data time	15.880ms
Front porch	0.062ms
Sync. width	0.124ms
Back porch	0.600ms
Sync. polarity	Negative
Dot Clock	65.000MHz
Sync. Type	Separate
Scan Type	N/I



2-3-2 Supported Modes (1)

Timing No.	2	3	11	17	32
Originator	IBM	MAC	VESA	VESA	MAC
Mode Name	VGA2	VGA3	640/72Hz	640/75Hz	640/67Hz
Resolution (HxV)	720x400	640x480	640x480	640x480	640x480
HORIZONTAL					
Frequency	31.469kHz	31.469kHz	37.861kHz	37.500kHz	35.000kHz
Total time	31.777 μ s	31.778 μ s	26.413 μ s	26.667 μ s	28.571 μ s
Active time	26.058 μ s	26.058 μ s	20.825 μ s	20.317 μ s	21.164 μ s
Blank time	5.720 μ s	5.720 μ s	5.588 μ s	6.350 μ s	7.407 μ s
Border (L / R)	0.318 μ s	0.318 μ s	0.254 μ s	0.000 μ s	0.000 μ s
Data time	25.422 μ s	25.422 μ s	20.317 μ s	20.317 μ s	21.164 μ s
Front porch	0.318 μ s	0.318 μ s	0.508 μ s	0.508 μ s	2.116 μ s
Sync. width	3.813 μ s	3.813 μ s	1.270 μ s	2.032 μ s	2.116 μ s
Back porch	1.589 μ s	1.589 μ s	3.810 μ s	3.810 μ s	3.175 μ s
Sync. polarity	Negative	Negative	Negative	Negative	Negative
VERTICAL					
Frequency	70.087Hz	59.940Hz	72.809Hz	75.000Hz	66.667Hz
Total time	14.268ms	16.683ms	13.735ms	13.333ms	15.000ms
Active time	13.155ms	15.761ms	13.100ms	12.800ms	13.714ms
Blank time	1.113ms	0.922ms	0.635ms	0.533ms	1.286ms
Border (T / B)	0.222ms	0.254ms	0.211ms	0.000ms	0.000ms
Data time	12.711ms	15.253ms	12.678ms	12.800ms	13.714ms
Front porch	0.191ms	0.064ms	0.026ms	0.027ms	0.086ms
Sync. width	0.064ms	0.064ms	0.079ms	0.080ms	0.086ms
Back porch	0.858ms	0.794ms	0.528ms	0.427ms	1.114ms
Sync. polarity	Positive	Negative	Negative	Negative	Negative
Dot Clock	28.322MHz	25.175MHz	31.500MHz	31.500MHz	30.240MHz
Sync. Type	Separate	Separate	Separate	Separate	Separate
Scan Type	N/I	N/I	N/I	N/I	N/I

2-3-2 Supported Modes (2)

Timing No. Originator Mode Name Resolution (HxV)	13 VESA 800/60Hz 800x600	14 VESA 800/72Hz 800x600	18 VESA 800/75Hz 800x600	33 MAC 832/75Hz 832x624	16 VESA 1024/70Hz 1024x768
HORIZONTAL					
Frequency	37.879kHz	48.077kHz	46.875kHz	49.726kHz	56.476kHz
Total time	26.400μs	20.800μs	21.333μs	20.110μs	17.707μs
Active time	20.000μs	16.000μs	16.162μs	14.524μs	13.653μs
Blank time	6.400μs	4.800μs	5.171μs	5.171μs	4.053μs
Border (L / R)	0.000μs	0.000μs	0.000μs	0.000μs	0.000μs
Data time	20.000μs	16.000μs	16.162μs	14.524μs	13.653μs
Front porch	1.000μs	1.120μs	0.323μs	0.559μs	0.320μs
Sync. width	3.200μs	2.400μs	1.616μs	1.117μs	1.813μs
Back porch	2.200μs	1.280μs	3.232μs	3.910μs	1.920μs
Sync. polarity	Positive	Positive	Positive	Positive	Negative
VERTICAL					
Frequency	60.317Hz	72.188Hz	75.000Hz	74.551Hz	70.069Hz
Total time	16.579ms	13.853ms	13.333ms	13.414ms	14.272ms
Active time	15.840ms	12.480ms	12.800ms	12.549ms	13.599ms
Blank time	0.739ms	1.373ms	0.533ms	0.864ms	0.672ms
Border (T / B)	0.000ms	0.000ms	0.000ms	0.000ms	0.000ms
Data time	15.840ms	12.480ms	12.800ms	12.549ms	13.599ms
Front porch	0.026ms	0.770ms	0.021ms	0.020ms	0.053ms
Sync. width	0.106ms	0.125ms	0.064ms	0.060ms	0.106ms
Back porch	0.607ms	0.478ms	0.448ms	0.784ms	0.513ms
Sync. polarity	Positive	Positive	Positive	Positive	Negative
Dot Clock	40.000MHz	50.000MHz	49.500MHz	49.500MHz	75.000MHz
Sync. Type	Separate	Separate	Separate	Separate	Separate
Scan Type	N/I	N/I	N/I	N/I	N/I

2-3-2 Supported Modes (3)

Timing No.	19	15
Originator	VESA	VESA
Mode Name	1024/75Hz	1024/60Hz
Resolution (HxV)	1024x768	1024x768
HORIZONTAL		
Frequency	60.023kHz	48.363kHz
Total time	16.660 μ s	20.677 μ s
Active time	13.003 μ s	15.754 μ s
Blank time	3.777 μ s	4.923 μ s
Border (L / R)	0.000 μ s	0.000 μ s
Data time	13.003 μ s	15.754 μ s
Front porch	0.323 μ s	0.369 μ s
Sync. width	1.219 μ s	2.092 μ s
Back porch	2.235 μ s	2.462 μ s
Sync. polarity	Positive	Negative
VERTICAL		
Frequency	75.029Hz	60.004Hz
Total time	13.328ms	16.666ms
Active time	12.795ms	15.880ms
Blank time	0.533ms	0.786ms
Border (T / B)	0.000ms	0.000ms
Data time	12.795ms	15.880ms
Front porch	0.017ms	0.062ms
Sync. width	0.050ms	0.124ms
Back porch	0.466ms	0.600ms
Sync. polarity	Positive	Negative
Dot Clock	78.750MHz	65.000MHz
Sync. Type	Separate	Separate
Scan Type	N/I	N/I

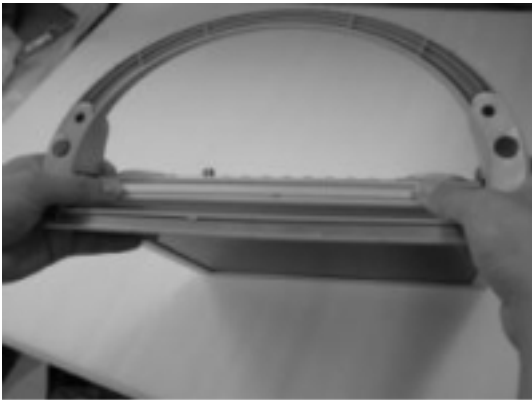
3 Disassembly and Reassembly

This section of the service manual describes the disassembly and reassembly procedures for the LW15S13C monitor.

WARNING: This monitor contains electrostatically sensitive devices. Use caution when handling these components.

3-1 Disassembly

- Cautions:**
1. Disconnect the monitor from the power source before disassembly.
 2. Follow these directions carefully; never use metal instruments to pry apart the cabinet.



1. The stand is held into the bottom of the unit by a pair of retaining clips (near the left and right hinges) To remove the stand, simply pull it away from the unit and the retaining clips will release automatically.



2. Remove the two phillips screws (left and right).



3. Separate the case halves (front/back) starting at the bottom/edges.

3-2 Reassembly

Reassembly procedures are in the reverse order of Disassembly procedures.

4 Alignments and Adjustments

4-1 General Alignment Instruction

1. Usually, a color TV-VCR needs only slight touch-up adjustment upon installation. Check the basic characteristics such as height, horizontal and vertical sync.
2. Use the specified test equipment or its equivalent.
3. Correct impedance matching is essential.
4. Avoid overload. Excessive signal from a sweep generator might overload the front-end of the TV. When inserting signal markers, do not allow the marker generator to distort test result.
5. Connect the TV only to an AC power source with voltage and frequency as specified on the backcover nameplate.
6. Do not attempt to connect or disconnect any wire while the TV is turned on. Make sure that the power cord is disconnected before replacing any parts.
7. To protect against shock hazard, use an isolation transform.

4-2 Factory Mode Adjustments

4-2-1 Entering Factory Mode

1. To enter "Service Mode" Press the remote -control keys in this sequence :

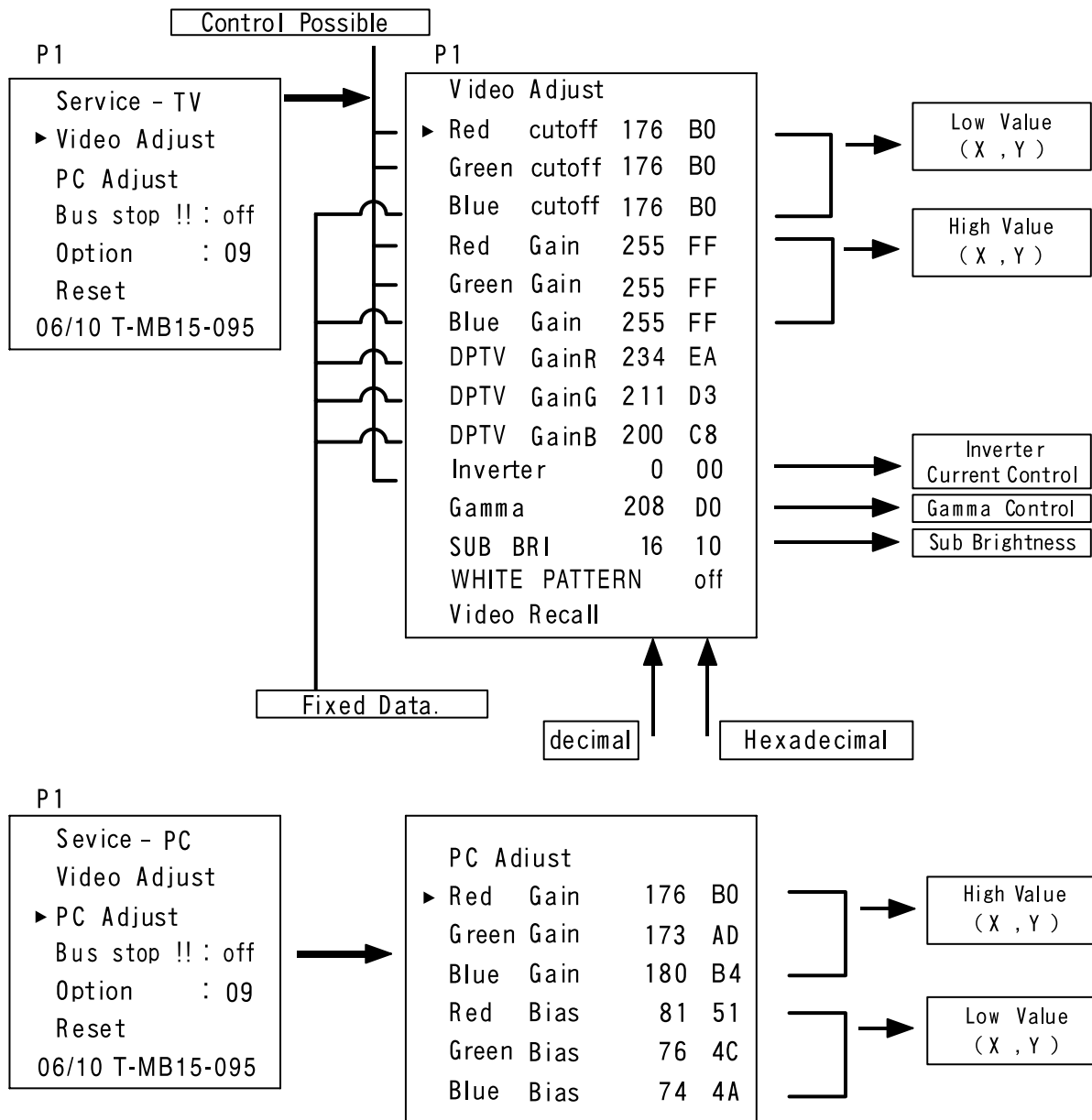
- If you do not have Factory remote - control

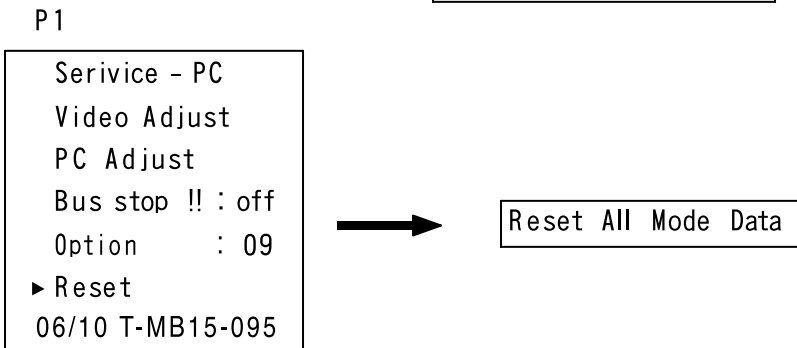
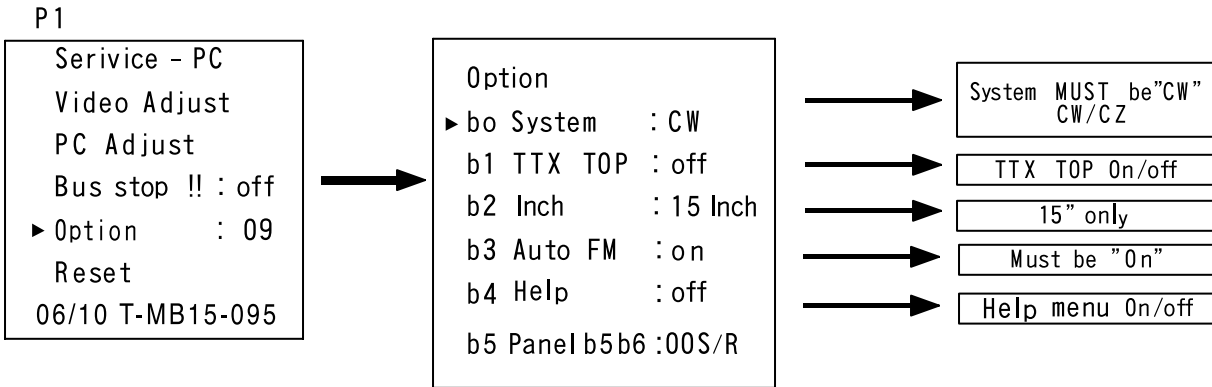
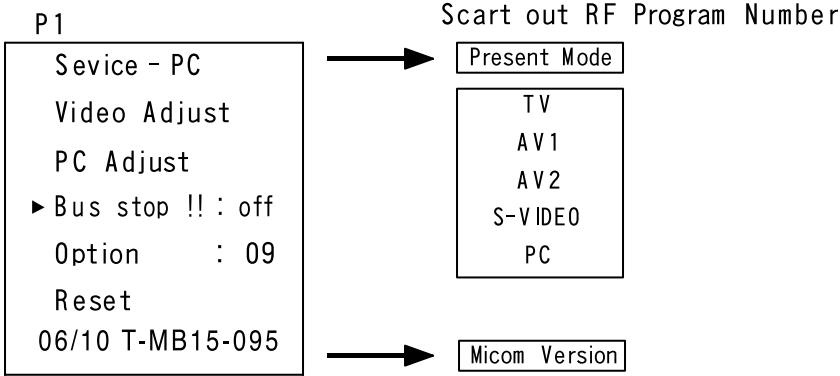


- If you have Factory remote - control



4-2-2 Factory Mode Tree

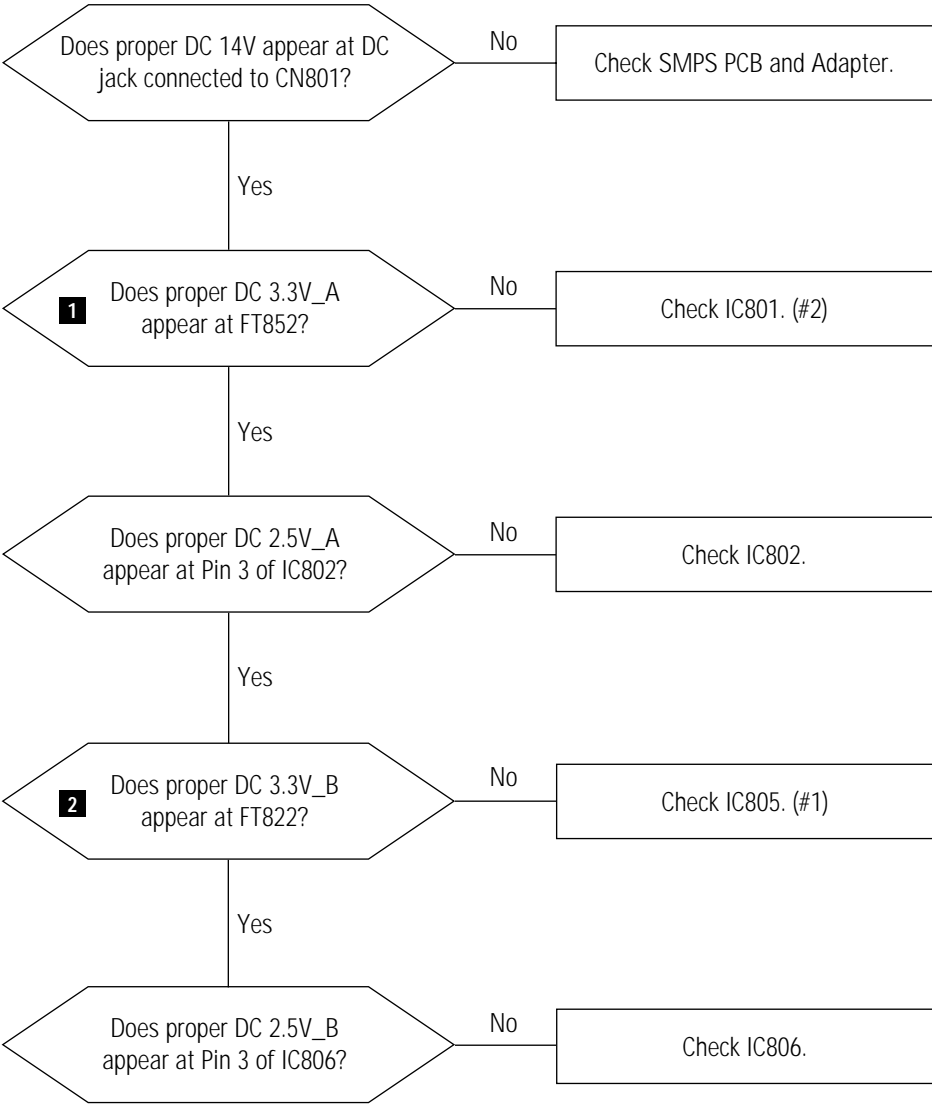




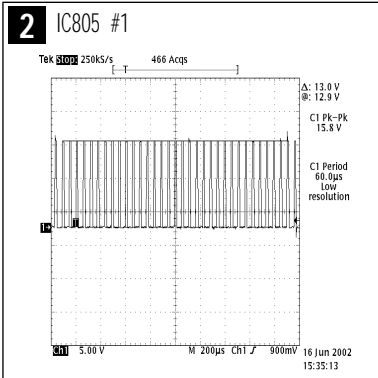
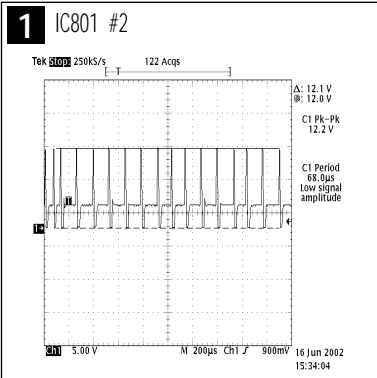
Memo

5 Troubleshooting

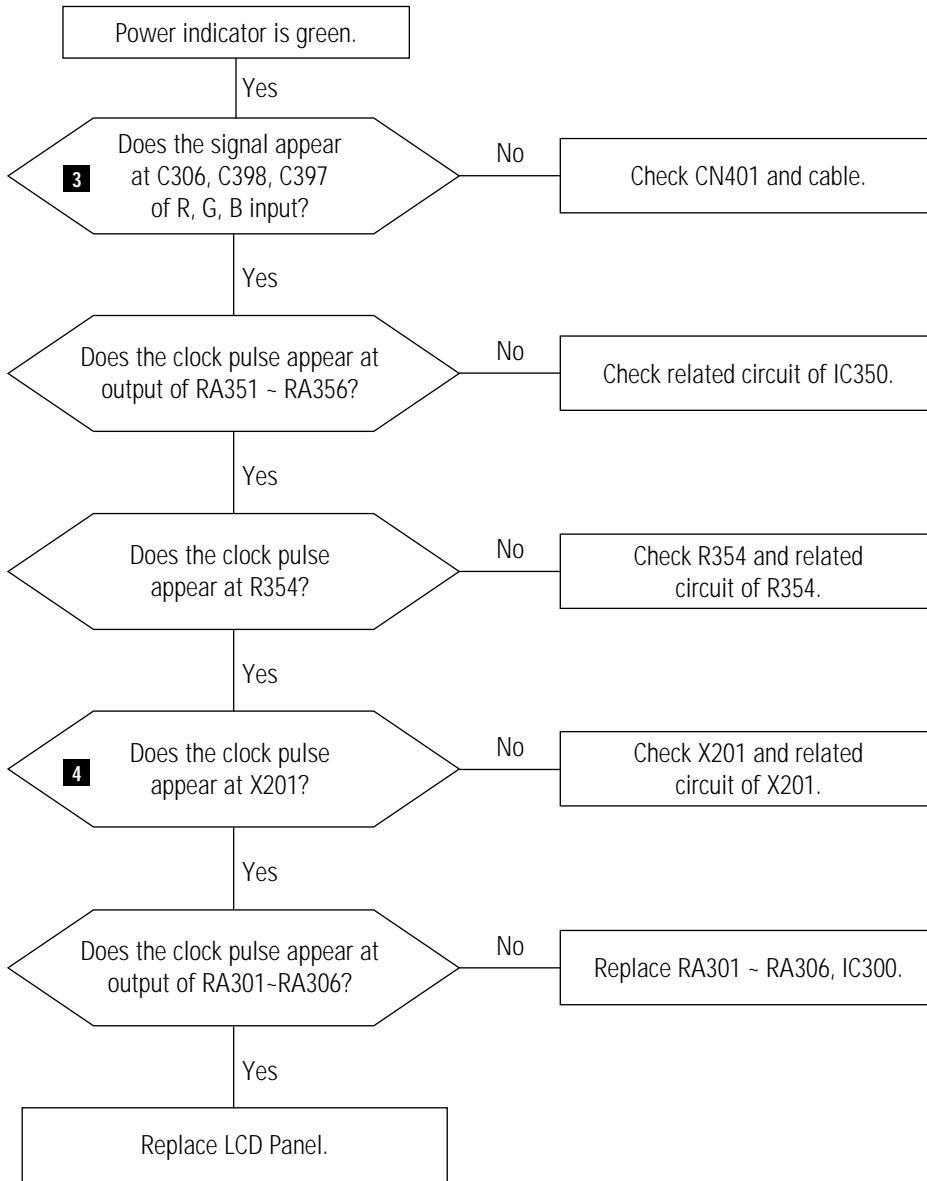
5-1 No Power



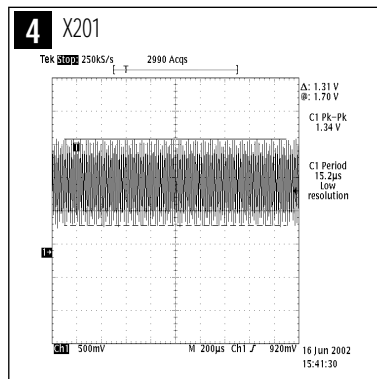
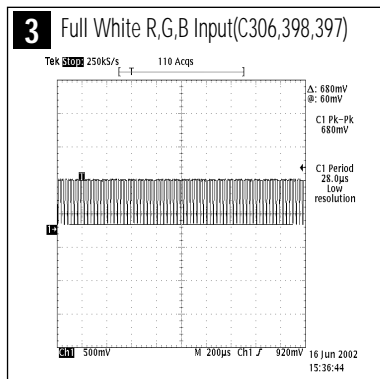
WAVEFORMS



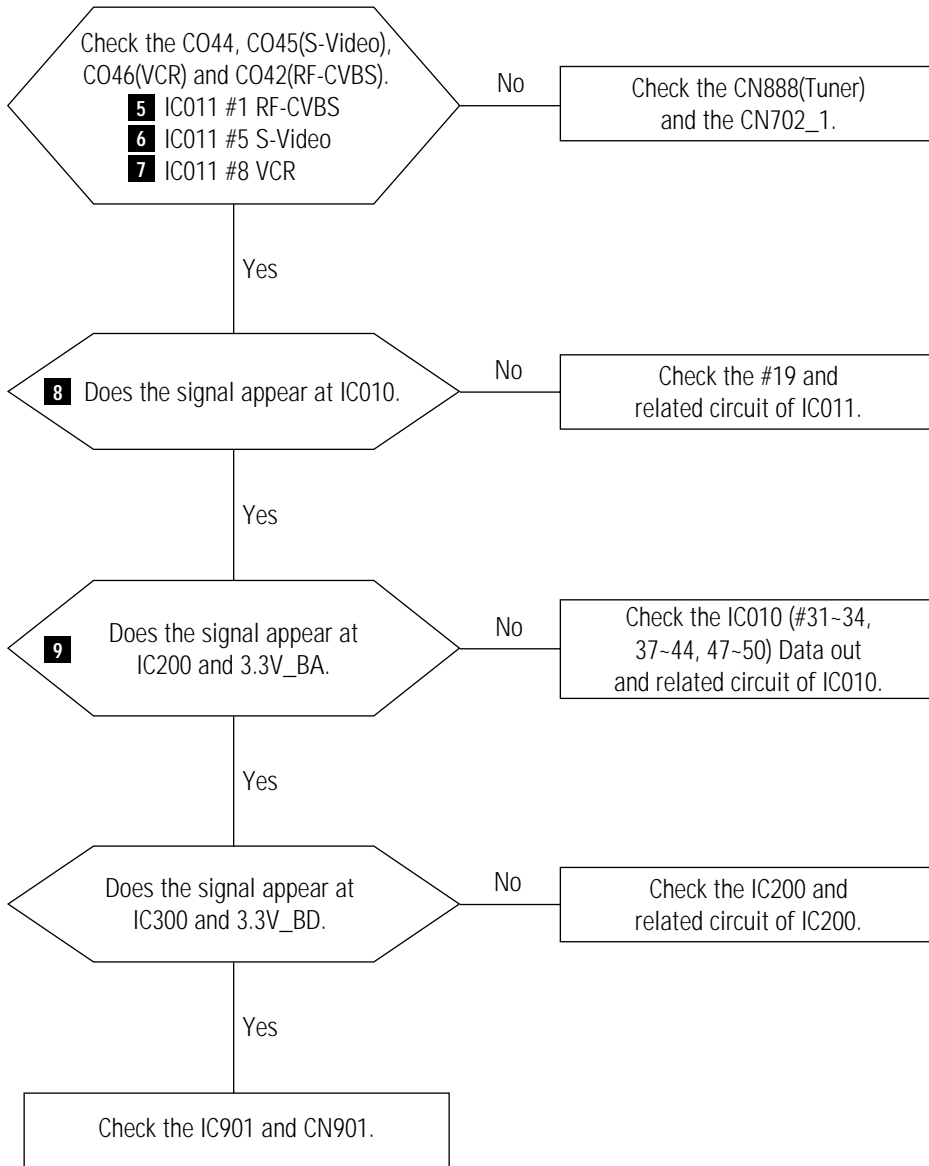
5-2 No Video (PC Signal)



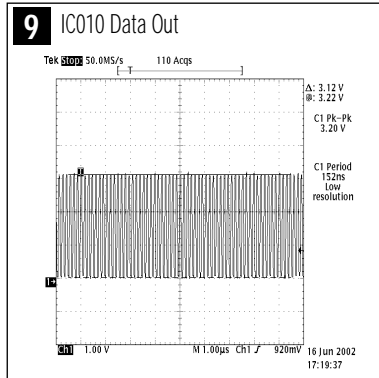
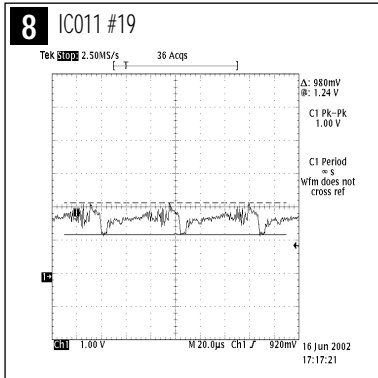
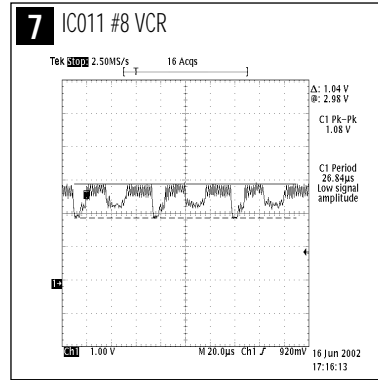
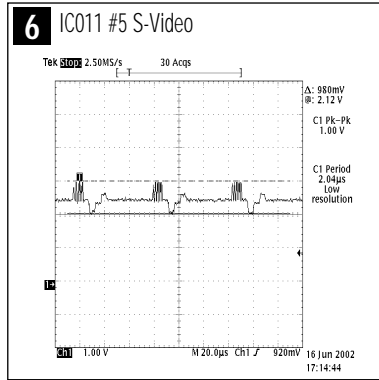
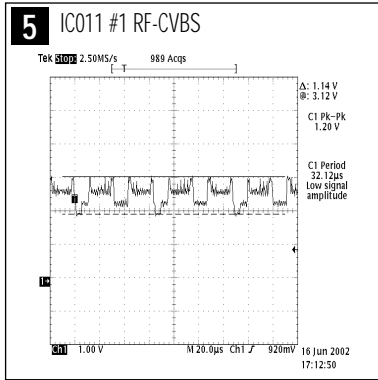
WAVEFORMS



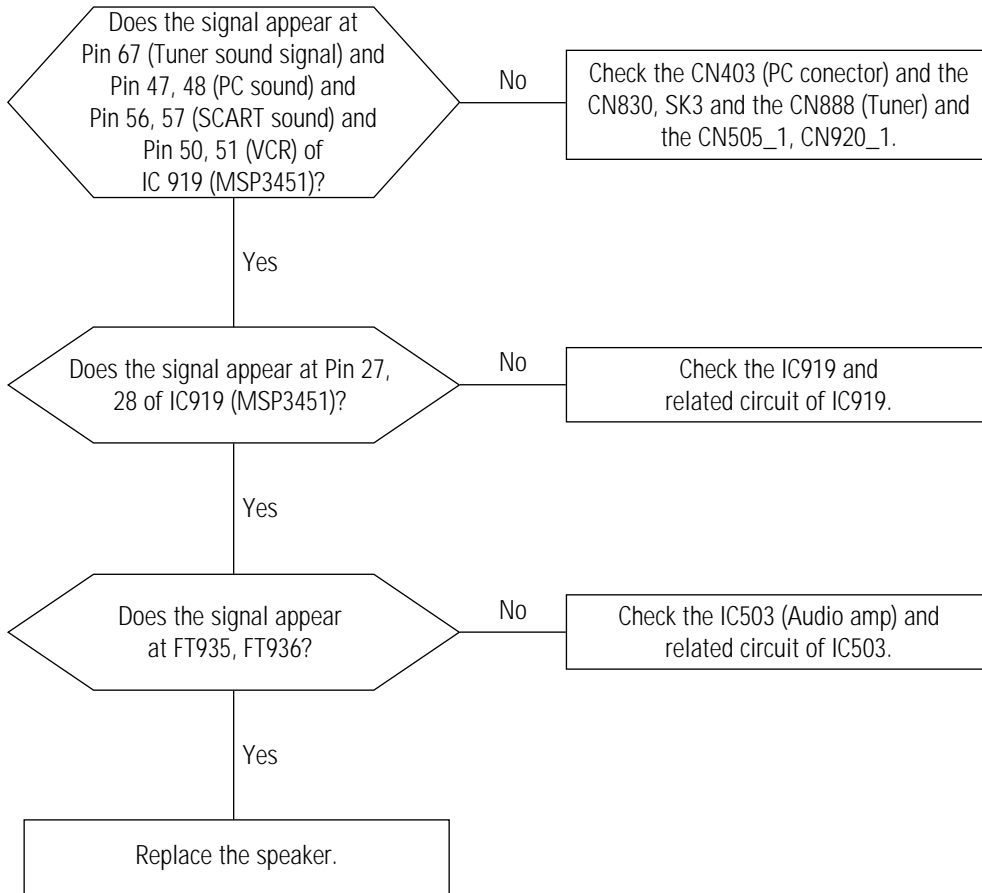
5-3 No Picture (TV, Video, S-Video, SCART)



WAVEFORMS



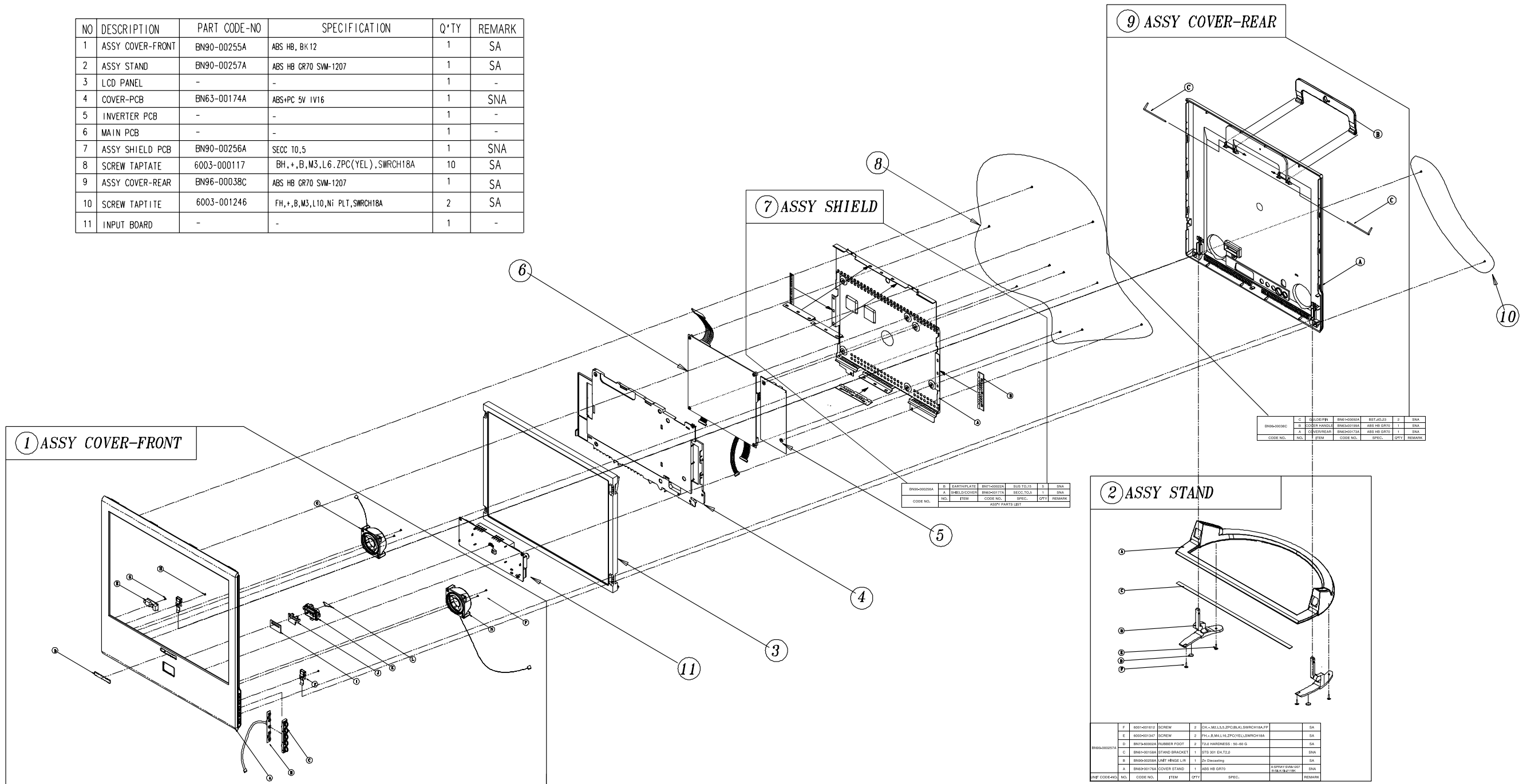
5-4 No Sound



Memo

6 Exploded View and Parts List

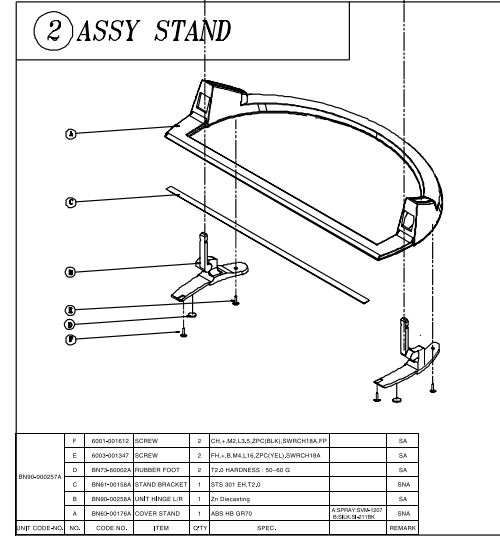
NO	DESCRIPTION	PART CODE-NO	SPECIFICATION	Q'TY	REMARK
1	ASSY COVER-FRONT	BN90-00255A	ABS HB, BK12	1	SA
2	ASSY STAND	BN90-00257A	ABS HB GR70 SWM-1207	1	SA
3	LCD PANEL	-	-	1	-
4	COVER-PCB	BN63-00174A	ABS+PC 5V IV16	1	SNA
5	INVERTER PCB	-	-	1	-
6	MAIN PCB	-	-	1	-
7	ASSY SHIELD PCB	BN90-00256A	SECC 10.5	1	SNA
8	SCREW TAPTITE	6003-000117	BH,+,B,M3,L6,ZPC(YEL),SWRCH18A	10	SA
9	ASSY COVER-REAR	BN96-00038C	ABS HB GR70 SWM-1207	1	SA
10	SCREW TAPTITE	6003-001246	FH,+,B,M3,L10,NI PLT,SWRCH18A	2	SA
11	INPUT BOARD	-	-	1	-



UNIT CODE-NO.	NO	DESCRIPTION	PART CODE-NO	SPECIFICATION	Q'TY	REMARK
BN90-00255A	O	SCREW TAPTITE	6003-000259	BWH,+,B,M3,L8,ZPC(YEL)	4	SA
	N	SPEAKER L	BN59-00282A	3W L180	1	SA
	M	SPEAKER R	BN59-00283A	3W L400	1	SA
	L	LENS LED	BN67-00054A	ACRYL(PMMA)CLEAR	1	SA
	K	KNOB POWER	BN64-00056A	ABS HB IV16.NI+CR COATING	1	SA
	J	COVER LENS	BN63-00175A	ABS HB IV16(NONE,1.5)	1	SNA
	I	LENS IR	BN67-00048A	HALF-MIRROR,T1.5	1	SA
	H	SCREW TAPTITE	6003-000259	BWH,+,B,M3,L8,ZPC(YEL)	2	SA
	G	SCREW TAPTITE	6003-000259	BWH,+,B,M3,L8,ZPC(YEL)	1	SA
	F	BRKT SPRING STAND	BN61-00082A	SUS TO.5	2	SNA
	E	HEADPHONE PCB	BN59-00288A	MB15	1	SA
D	BADGE	BN64-00031A	AL T1.6	1	SNA	
C	KNOB FUNCTION	BN64-00057A	ABS HB BK12	1	SA	
B	FUNCTION PCB	BN59-00287A	MB15	1	SA	
A	COVER FRONT	BN63-00172A	ABS HB,BK12	1	SNA	

BN90-00255A	C	COVER PCB	BN63-00174A	ABS+PC 5V	IV16	1	SNA
BN90-00256A <td>E</td> <td>SHIELD PCB <td>BN90-00256A <td>SECC 10.5 <td></td> <td>1</td> <td>SNA</td> </td></td></td>	E	SHIELD PCB <td>BN90-00256A <td>SECC 10.5 <td></td> <td>1</td> <td>SNA</td> </td></td>	BN90-00256A <td>SECC 10.5 <td></td> <td>1</td> <td>SNA</td> </td>	SECC 10.5 <td></td> <td>1</td> <td>SNA</td>		1	SNA
BN90-00257A <td>A</td> <td>ASSY STAND <td>BN90-00257A <td>ABS HB GR70 SWM-1207</td> <td></td> <td>1</td> <td>SA</td> </td></td>	A	ASSY STAND <td>BN90-00257A <td>ABS HB GR70 SWM-1207</td> <td></td> <td>1</td> <td>SA</td> </td>	BN90-00257A <td>ABS HB GR70 SWM-1207</td> <td></td> <td>1</td> <td>SA</td>	ABS HB GR70 SWM-1207		1	SA

BN90-00255A	B	INPUT BOARD	BN90-00255A	SUS TO.5	1	SNA
BN90-00256A <td>A</td> <td>SHIELD PCB <td>BN90-00256A <td>SECC 10.5 <td>1</td> <td>SNA</td> </td></td></td>	A	SHIELD PCB <td>BN90-00256A <td>SECC 10.5 <td>1</td> <td>SNA</td> </td></td>	BN90-00256A <td>SECC 10.5 <td>1</td> <td>SNA</td> </td>	SECC 10.5 <td>1</td> <td>SNA</td>	1	SNA



BN90-00257A	F	BRKT SPRING STAND	BN61-00082A	SUS TO.5	2	SNA
BN90-00257A <td>E</td> <td>HEADPHONE PCB <td>BN59-00288A <td>MB15</td> <td>1</td> <td>SA</td> </td></td>	E	HEADPHONE PCB <td>BN59-00288A <td>MB15</td> <td>1</td> <td>SA</td> </td>	BN59-00288A <td>MB15</td> <td>1</td> <td>SA</td>	MB15	1	SA
BN90-00257A <td>D</td> <td>BADGE <td>BN64-00031A <td>AL T1.6</td> <td>1</td> <td>SNA</td> </td></td>	D	BADGE <td>BN64-00031A <td>AL T1.6</td> <td>1</td> <td>SNA</td> </td>	BN64-00031A <td>AL T1.6</td> <td>1</td> <td>SNA</td>	AL T1.6	1	SNA
BN90-00257A <td>C</td> <td>KNOB FUNCTION <td>BN64-00057A <td>ABS HB BK12</td> <td>1</td> <td>SA</td> </td></td>	C	KNOB FUNCTION <td>BN64-00057A <td>ABS HB BK12</td> <td>1</td> <td>SA</td> </td>	BN64-00057A <td>ABS HB BK12</td> <td>1</td> <td>SA</td>	ABS HB BK12	1	SA
BN90-00257A <td>B</td> <td>FUNCTION PCB <td>BN59-00287A <td>MB15</td> <td>1</td> <td>SA</td> </td></td>	B	FUNCTION PCB <td>BN59-00287A <td>MB15</td> <td>1</td> <td>SA</td> </td>	BN59-00287A <td>MB15</td> <td>1</td> <td>SA</td>	MB15	1	SA
BN90-00257A <td>A</td> <td>COVER STAND <td>BN90-00257A <td>ABS HB GR70 SWM-1207</td> <td>1</td> <td>SA</td> </td></td>	A	COVER STAND <td>BN90-00257A <td>ABS HB GR70 SWM-1207</td> <td>1</td> <td>SA</td> </td>	BN90-00257A <td>ABS HB GR70 SWM-1207</td> <td>1</td> <td>SA</td>	ABS HB GR70 SWM-1207	1	SA

Memo

BN90-00316A	-	ASSY COVER FRONT	MB15NO	SNA
BN90-00255A	CIS	ASSY COVER FRONT	RB15,-,ABS HB,-,SILVER,-,-,-	
6003-000259	CIS	SCREW-TAPTITE	BH,+ ,B,M3,L8,ZPC(YEL),SWRCH18A	SNA
BN59-00282B	CIS	SPEAKER SYSTEM	MINERVA,3W,46C46X20MM,WIRE:395MM+CORE	
BN59-00283B	CIS	SPEAKER SYSTEM	MINERVA,3W,46C46X20MM,WIRE:110MM+CORE	
BN59-00287A	CIS	BOARD-FUNCTION ASS'Y	MB15UO,CT5000-0610,FUNCTION ASS'Y	SNA
BN59-00344A	CIS	BOARD-PHONE-JACK ASS'Y	MB15EO,CT5000-1090,PHONE-JACK ASS'Y	SNA
BN61-00082A	CIS	BRACKET-SPRING-STAND	RB15,SUS,TO.5,-,-,-,-	SNA
BN63-00172A	CIS	COVER-FRONT	RB15,ABS,-,-,-,HB,-,BK08,SILVER SPRAY	SNA
BN63-00175A	CIS	COVER-LENS	RB15,ABS,-,-,-,HB,-,IV16,NONE,1.5	SNA
BN64-00031A	CIS	BADGE-BRAND	RB15AS,AL,T1.4,6.3,40.1,-,SILIVER,-	SNA
BN64-00056A	CIS	KNOB-POWER	RB15,PC,-,-,-,HB,CLEAR,-,NI-CR	
BN64-00057A	CIS	KNOB-FUNCTION	RB15,ABS+PC,-,-,-,HB,BK08,-,NONE,1.5	
BN67-00048A	CIS	LENS-IR	RB15,ACRYL,CLEAR,-,1.5,-,HALF-MIRROR	SNA
BN67-00054A	CIS	LENS-LED	RB15,ACRYL,CLEAR,1	
BN90-00318A	-	ASSY STAND	MB15NO	SNA
BN90-00257A	CIS	ASSY STAND	RB15,-,ABD HB,-,-,-,-,-	
6001-001612	CIS	SCREW-MACHINE	CH,+ ,M2,L3.5,ZPC(BLK),SWRCH18A,FP,-	
6003-001347	CIS	SCREW-TAPTITE	FH,+ ,B,M4,L16,ZPC(YEL),SWRCH18A,-	SNA
BN61-00158A	CIS	BRACKET-STAND	MINERVA,STS 420J2,T2.0	SNA
BN63-00176A	CIS	COVER-STAND	RB15,ABS,-,-,-,HB,-,BK08,HB,1.5	SNA
BN73-60002A	CIS	RUBBER-FOOT	CY15PO,SPONGE,-,-,-,BL,-,-,-,-	SNA
BN90-00258A	CIS	ASSY HINGE	RB15,-,AL,-,-,-,-,DIE-CASTING	SNA
BN90-00362A	-	ASSY COVER REAR	MB15EO	SNA
6003-001246	C/F+C/R	SCREW-TAPTITE	FH,+ ,B,M3,L10,NI PLT,SWRCH18A	SNA
BN96-00038C	CIS	ASSY COVER P-REAR	MB15EO,EUROPE,ABS HB,SVM-1207,PAL	
BN61-00092A	CIS	BRACKET-PIN	RB15,CU+ZN,TO.23,35MM	SNA
BN63-00173A	CIS	COVER-REAR	RB15,ABS,-,-,-,HB,-,BK08,SILVER SPRAY	SNA
BN63-00199A	CIS	COVER-HANDLE	RB15,ABS,HB,BK08,HB,1.5	SNA
BN91-00220A	-	ASSY LCD	ES15AS	SNA
BN07-00053A	CIS	LCD	LTM150XH-L06,CZB,6BIT_ FRC,331.6*254.76*12.5,16.19M,-,0.297*0.297,-,-,AMLCD/1 LV	
BN91-00386D	-	ASSY MISC-ADAPTOR	NK15SO	SNA
BN44-00063A	CIS	ADAPTOR	AD-4914N,EOS17,100-240VAC,47 - 63 HZ,+14VDC,3.5A,-,49W,-,0 TO +40 C,120*63*31,SA	
BN91-00395A	-	ASSY SHIELD	MB15NO	SNA
6003-000117	SH/PCB+C/F	SCREW-TAPTITE	BH,+ ,B,M3,L6,ZPC(YEL),SWRCH18A	SNA
6003-000117	SH/PCB+IN/PCB	SCREW-TAPTITE	BH,+ ,B,M3,L6,ZPC(YEL),SWRCH18A	SNA
6003-000117	SH/PCB+M/PCB	SCREW-TAPTITE	BH,+ ,B,M3,L6,ZPC(YEL),SWRCH18A	SNA
BN02-00010A	CIS	TAPE ETC	MINERVA,AL-TAPE,0.07MM,60MM,80MM,SILVER,DK-100-60-80	SNA
BN02-00017A	CIS	TAPE ETC	MB15ES,DK101,COPPER,0.13MM,80MM,80MM,GOLD,DK-101-80-80	SNA
BN59-00304A	CIS	BOARD-INPUT ASS'Y	MB15EO,INPUT ASS'Y	SNA
BN90-00256B	CIS	ASSY SHIELD-PCB	MB15EO,EULOPE,SECC TO.5	SNA
BN63-00177A	CIS	SHIELD-PCB	RB15,SECC,TO.5,-,-,-,-	SNA
BN63-00412A	CIS	GASKET	MB15VO,CONDUCTIVE FABRIC,1MM,8MM,58MM,GRAY,71TSFK 8-1-58-13-D,71TSFK 8-1-58-13-D	SNA
BN63-00417A	CIS	GASKET	MINERVA,CONDUCTIVE FABRIC,4MM,10MM,45MM,GRAY,71TSSK 10-4-45-13,71TSSK 10-4-45-13	SNA
BN63-00515A	CIS	GASKET	MB15ES,CONDUCTIVE FABRIC,4MM,10MM,25MM,GRAY,71TSSK-10-4-25-13,SHIELD FORM	SNA
BN71-00022A	CIS	EARTH PLATE	RB15AS,SUS,TO.15	SNA
BN91-00440A	-	ASSY CHASSIS	MB15EO	
BN94-00332A	-	ASSY PCB MAIN	MB15EO	SNA
0201-001223	CIS	ADHESIVE-TS	HT-130S,RED,700+/- 50,-	SNA
0202-001044	CIS	SOLDER-WIRE.	S63S-W3.0,S63S,D3,63Sn/37Pb,-	SNA
0202-001046	CIS	SOLDER-WIRE FLUX	CF-110VH-2A,-,-,-,-	SNA
0202-001222	CIS	SOLDER-WIRE FLUX	RS-107,RS60-1.2AA,D1.2,SN60/PB40,-	SNA
0204-001095	CIS	THINNER	#4520,-,-,-,-	SNA
BH73-60304E	CIS	RUBBER-SUPPORT	MO15PS,CR V0,6*6*6.4,BLACK	SNA
BN39-00161B	CIS	LEAD CONNECTOR-ASSY	MB15UO,UL1571#30,UL/CSA,12P,#28,12505HS-12,12505HS-12,BK,40MM,1571#30,SJ02-01-05	
BN39-00272A	CIS	LEAD CONNECTOR-ASSY	MB15UO,UL1571#28,UL/CSA,8P,#28,12507HS-20,12507HS-20,BK,50MM,1571#28,SJ01-01-40	
BN39-00275A	CIS	LEAD CONNECTOR-ASSY	MB15UO,UL1061#28,UL/CSA,8P,#28,12505HS-08,12505HS-08,BK,125MM,1061#28,SJ02-01-06	
BN39-00296A	CIS	LEAD CONNECTOR	MB15SO,UL1571#28,UL/CSA,31P,#28,FI-W31S,FI-W31S,BK,40MM,1571#28	

BN39-00336A	CIS	LEAD CONNECTOR	MB15E0,UL1571#28,UL/CSA,31P,#28,FI-W31S,FI-W31S,BK,40MM,1571#28,SJ02-01-269,EMI-	
BN44-00061B	CIS	INVERTER	MB15U0,S1C540A,48KHZ,14VDC,3.6MARMs,6.8MARMs,48KHZ,140*65.5*7.0,4LAMP,48KHZ	
BN60-00011A	CIS	FASTENER-PEM/NUT	MINERVA,SUM24L(SN),M3,-,7.0,6.8,WHT	SNA
BN63-00174A	CIS	COVER-PCB	RB15,ABS,-,-,VO,-,1V16,TBBA,1.5	SNA
BN63-00413A	CIS	GASKET	MB15KO,CONDUCTIVE FABRIC,5MM,8MM,8MM,GRAY,71TSMK 8-5-8-13-D,71TSMK 8-5-8-13-D	SNA
BN97-00115G	-	ASSY MICOM	MB15E0	
1102-001129	IC620	IC-EPROM	M27W401,512KX8BIT,PLCC,32P,11.35X13.89MM,80NS,3.3V,10%,PLASTIC,-40TO+85C,-,CMOS,	
BN46-00014D	CIS	S/W MICOM	MB15E0	SNA
BN97-00120A	-	ASSY SMD	MB15E0	SNA
0202-001162	CIS	SOLDER-CREAM	RMA-20-21L,S63,-,SN63/PB36.6/AGO.4,FLUX9.5%	SNA
0401-001056	D681	DIODE-SWITCHING	MMBD4148SE,75V,200MA,SOT-23,TP	
0401-001056	D804	DIODE-SWITCHING	MMBD4148SE,75V,200MA,SOT-23,TP	
0402-000553	D802	DIODE-RECTIFIER	SS24,40V,2.0A,DO-214AA	
0402-000553	D875	DIODE-RECTIFIER	SS24,40V,2.0A,DO-214AA	
0402-001098	D803	DIODE-RECTIFIER	SK34,40V,3A,SMC,TP	
0403-000579	D601	DIODE-ZENER	BZX84C5V1,5.1V,5%,200mW,SOT-23	
0403-000579	D602	DIODE-ZENER	BZX84C5V1,5.1V,5%,200mW,SOT-23	
0403-000579	D604	DIODE-ZENER	BZX84C5V1,5.1V,5%,200mW,SOT-23	
0403-000579	U133	DIODE-ZENER	BZX84C5V1,5.1V,5%,200mW,SOT-23	
0403-000579	U134	DIODE-ZENER	BZX84C5V1,5.1V,5%,200mW,SOT-23	
0403-001052	D543	DIODE-ZENER	RD8.2MB,8.2V,7.7-8.64V,200mW,S	
0403-001052	D545	DIODE-ZENER	RD8.2MB,8.2V,7.7-8.64V,200mW,S	
0403-001052	D570	DIODE-ZENER	RD8.2MB,8.2V,7.7-8.64V,200mW,S	
0403-001052	D571	DIODE-ZENER	RD8.2MB,8.2V,7.7-8.64V,200mW,S	
0404-001166	D801	DIODE-SCHOTTKY	MBRM130LT3,30V,1000MA,DO-216AA,TP	
0404-001166	D880	DIODE-SCHOTTKY	MBRM130LT3,30V,1000MA,DO-216AA,TP	
0501-000342	Q020	TR-SMALL SIGNAL	KSC1623-Y,NPN,200mW,SOT-23,TP,135-270	
0501-000342	Q201	TR-SMALL SIGNAL	KSC1623-Y,NPN,200mW,SOT-23,TP,135-270	
0501-000342	Q601	TR-SMALL SIGNAL	KSC1623-Y,NPN,200mW,SOT-23,TP,135-270	
0501-000342	Q611	TR-SMALL SIGNAL	KSC1623-Y,NPN,200mW,SOT-23,TP,135-270	
0501-002080	Q001	TR-SMALL SIGNAL	2SC2412K,NPN,200mW,SC-59,TP,120-270	
0501-002080	Q602	TR-SMALL SIGNAL	2SC2412K,NPN,200mW,SC-59,TP,120-270	
0501-002080	Q808	TR-SMALL SIGNAL	2SC2412K,NPN,200mW,SC-59,TP,120-270	
0501-002080	Q812	TR-SMALL SIGNAL	2SC2412K,NPN,200mW,SC-59,TP,120-270	
0505-001170	IC808	FET-SILICON	SI9933ADY-T1,P,-20V,3.4A,0.06ohm,2W,SO-8	
0801-002267	IC406	IC-CMOS LOGIC	74LCX14,-,SOIC,14P,150MIL,-,TP,-,-,3.6V,-40TO+85C,-,5.5V,-,24MA	
0904-001009	IC631	IC-I/O SUPPORT CHIP	8574A,-,SOP,16P,300MIL,100KHZ,	
0904-001009	IC632	IC-I/O SUPPORT CHIP	8574A,-,SOP,16P,300MIL,100KHZ,	
1001-001082	IC013	IC-VIDEO SWITCH	BA7657F,-,SOP,24P,300MIL,SINGL	
1001-001109	IC012	IC-ANALOG SWITCH	FST3125M,BUS SWITCH & CMOS,SOIC,17P,150MIL,QUAD,7V,-40TO+85C,PLASTIC,-,4.00HM,5.	
1001-001109	IC681	IC-ANALOG SWITCH	FST3125M,BUS SWITCH & CMOS,SOIC,17P,150MIL,QUAD,7V,-40TO+85C,PLASTIC,-,4.00HM,5.	
1001-001177	IC011	IC-VIDEO SWITCH	TEA6425D,VIDEO SWITCH,SOIC,20P,300MIL,-,8.8V,0TO+70C,PLASTIC,-,2UA,ST,-	
1001-001190	IC001	IC-ANALOG SWITCH	FST16233MTD,BUS SWITCH,TSSOP,56P,240MIL,-,5.5V,-40TO+85C,PLASTIC,-,200HM,8.5NS,7	
1002-001292	IC350	IC-A/D CONVERTER	AD9883AKST-110,8BITS,QFP,80P,551MIL,±0.5LSB,TR,CMOS,PLASTIC,3.3V,-25TO+85C,650M	
1003-001419	IC300	IC-DISPLAY DRIVER	MN82860,QFP,208P,1102MIL,-,TR,PLASTIC,3.3V,-,2.3W,-,-	
1103-000129	IC401	IC-EEPROM	24C02,256x8BIT,SOP,8P,150MIL,1	
1103-000138	IC603	IC-EEPROM	24C16,2Kx8BIT,SOP,8P,150MIL,10	
1105-001336	IC210	IC-DRAM	4S643232,512Kx32x4Bit,TSOP,86P,400MIL,60nS,3.3V,10%,PLASTIC,0to+70C,2mA,CMOS,TP	
1105-001336	IC211	IC-DRAM	4S643232,512Kx32x4Bit,TSOP,86P,400MIL,60nS,3.3V,10%,PLASTIC,0to+70C,2mA,CMOS,TP	
1201-001559	IC503	IC-AUDIO AMP	4863,TSSOP,20P,173MIL,DUAL,98dB,PLASTIC,5.5V,2.45W,-40to+85C,-,-,-,-	
1203-000404	IC801	IC-DC/DC CONVERTER	34063,SOP,8P,150MIL,PLASTIC,1.0/1.3V,-,0TO+70C,4.0MA,-,ST	
1203-000404	IC810	IC-DC/DC CONVERTER	34063,SOP,8P,150MIL,PLASTIC,1.0/1.3V,-,0TO+70C,4.0MA,-,ST	
1203-001212	IC604	IC-VOL. DETECTOR	7029,SOT-89,3P,-,PLASTIC,-,500	
1203-001293	IC811	IC-POSIFIXED REG.	033,TO-252,3P,6.5MIL,PLASTIC,3	
1203-001448	IC804	IC-SWITCH VOL. REG.	2596,TO-263,5P,-,PLASTIC,4.750	
1203-001448	IC807	IC-SWITCH VOL. REG.	2596,TO-263,5P,-,PLASTIC,4.750	
1203-001816	IC803	IC-POSIFIXED REG.	78M08,TO-252,3P,-,PLASTIC,7.7/8.3V,1.0W,-40TO+85C,0.5A,-,TP	
1203-001830	IC805	IC-SWITCH VOL. REG.	2676,TO-263,7P,-,PLASTIC,3.234/3.336V,-,40TO+125C,3A,-,TP	
1203-001890	IC802	IC-VOLTAGE REGULATOR	3961,SOT223-5,5P,-,PLASTIC,2.5V,-,40to+125C,800mA,-,TR	

1203-001890	IC806	IC-VOLTAGE REGULATOR	3961,SOT223-5,5P,-,PLASTIC,2.5V,-,-40to+125C,800mA,-,TR
1204-001675	IC919	IC-SOUND PROCESSOR	MSP3451G,QFP,80P,-,PLASTIC,9V,1000mW,0to+70C,TR,Multistandard Sound
1204-001911	IC200	IC-VIDEO PROCESS	DPTV-3D-6730,PQFP,208P,28X28MM,PLASTIC,4.6V,-,0TO+70C,TR,-
1204-001912	IC601	IC-DECODER	SDA5550M,P-MQFP,100P,-,PLASTIC,3.3V,1.5W,0TO+70C,TR,-
1204-001926	IC010	IC-VIDEO PROCESS	VPC3230D-C5,PQFP,80P,-,PLASTIC,6V,-,0 TO 65C,TP,VPC3230D-C5
1205-001740	IC901	IC-TRANSMITTER	DS90C385,TSSOP,56P,240MIL,PLASTIC,4V,1.63W,-10 TO +70C,ST,FPD LINK-85MHZ(LVDS)
2007-000070	R0VS	R-CHIP	0ohm,5%,1/16W,DA,TP,1608
2007-000070	R215	R-CHIP	0ohm,5%,1/16W,DA,TP,1608
2007-000070	R216	R-CHIP	0ohm,5%,1/16W,DA,TP,1608
2007-000070	R217	R-CHIP	0ohm,5%,1/16W,DA,TP,1608
2007-000070	R218	R-CHIP	0ohm,5%,1/16W,DA,TP,1608
2007-000070	R222	R-CHIP	0ohm,5%,1/16W,DA,TP,1608
2007-000070	R234	R-CHIP	0ohm,5%,1/16W,DA,TP,1608
2007-000070	R242	R-CHIP	0ohm,5%,1/16W,DA,TP,1608
2007-000070	R303	R-CHIP	0ohm,5%,1/16W,DA,TP,1608
2007-000070	R328	R-CHIP	0ohm,5%,1/16W,DA,TP,1608
2007-000070	R351	R-CHIP	0ohm,5%,1/16W,DA,TP,1608
2007-000070	R652	R-CHIP	0ohm,5%,1/16W,DA,TP,1608
2007-000070	R902	R-CHIP	0ohm,5%,1/16W,DA,TP,1608
2007-000070	R0HS	R-CHIP	0ohm,5%,1/16W,DA,TP,1608
2007-000071	R002	R-CHIP	22ohm,5%,1/16W,DA,TP,1608
2007-000071	R003	R-CHIP	22ohm,5%,1/16W,DA,TP,1608
2007-000071	R004	R-CHIP	22ohm,5%,1/16W,DA,TP,1608
2007-000071	R102	R-CHIP	22ohm,5%,1/16W,DA,TP,1608
2007-000071	R304	R-CHIP	22ohm,5%,1/16W,DA,TP,1608
2007-000071	R355	R-CHIP	22ohm,5%,1/16W,DA,TP,1608
2007-000071	R367	R-CHIP	22ohm,5%,1/16W,DA,TP,1608
2007-000071	R6228	R-CHIP	22ohm,5%,1/16W,DA,TP,1608
2007-000072	R329	R-CHIP	47ohm,5%,1/16W,DA,TP,1608
2007-000072	R354	R-CHIP	47ohm,5%,1/16W,DA,TP,1608
2007-000072	R521	R-CHIP	47ohm,5%,1/16W,DA,TP,1608
2007-000072	R522	R-CHIP	47ohm,5%,1/16W,DA,TP,1608
2007-000072	R526	R-CHIP	47ohm,5%,1/16W,DA,TP,1608
2007-000072	R528	R-CHIP	47ohm,5%,1/16W,DA,TP,1608
2007-000072	R529	R-CHIP	47ohm,5%,1/16W,DA,TP,1608
2007-000072	R531	R-CHIP	47ohm,5%,1/16W,DA,TP,1608
2007-000072	R903	R-CHIP	47ohm,5%,1/16W,DA,TP,1608
2007-000072	R904	R-CHIP	47ohm,5%,1/16W,DA,TP,1608
2007-000072	R905	R-CHIP	47ohm,5%,1/16W,DA,TP,1608
2007-000072	R907	R-CHIP	47ohm,5%,1/16W,DA,TP,1608
2007-000074	R001	R-CHIP	100ohm,5%,1/16W,DA,TP,1608
2007-000074	R005	R-CHIP	100ohm,5%,1/16W,DA,TP,1608
2007-000074	R025	R-CHIP	100ohm,5%,1/16W,DA,TP,1608
2007-000074	R026	R-CHIP	100ohm,5%,1/16W,DA,TP,1608
2007-000074	R111	R-CHIP	100ohm,5%,1/16W,DA,TP,1608
2007-000074	R112	R-CHIP	100ohm,5%,1/16W,DA,TP,1608
2007-000074	R113	R-CHIP	100ohm,5%,1/16W,DA,TP,1608
2007-000074	R117	R-CHIP	100ohm,5%,1/16W,DA,TP,1608
2007-000074	R118	R-CHIP	100ohm,5%,1/16W,DA,TP,1608
2007-000074	R119	R-CHIP	100ohm,5%,1/16W,DA,TP,1608
2007-000074	R120	R-CHIP	100ohm,5%,1/16W,DA,TP,1608
2007-000074	R209	R-CHIP	100ohm,5%,1/16W,DA,TP,1608
2007-000074	R211	R-CHIP	100ohm,5%,1/16W,DA,TP,1608
2007-000074	R212	R-CHIP	100ohm,5%,1/16W,DA,TP,1608
2007-000074	R232	R-CHIP	100ohm,5%,1/16W,DA,TP,1608
2007-000074	R233	R-CHIP	100ohm,5%,1/16W,DA,TP,1608
2007-000074	R249	R-CHIP	100ohm,5%,1/16W,DA,TP,1608
2007-000074	R322	R-CHIP	100ohm,5%,1/16W,DA,TP,1608
2007-000074	R323	R-CHIP	100ohm,5%,1/16W,DA,TP,1608

2007-000090	R684	R-CHIP	10KOHM,5%,1/16W,DA,TP,1608
2007-000090	R823	R-CHIP	10KOHM,5%,1/16W,DA,TP,1608
2007-000090	R824	R-CHIP	10KOHM,5%,1/16W,DA,TP,1608
2007-000090	R873	R-CHIP	10KOHM,5%,1/16W,DA,TP,1608
2007-000091	R101	R-CHIP	12Kohm,5%,1/16W,DA,TP,1608
2007-000092	R6233	R-CHIP	15Kohm,5%,1/16W,DA,TP,1608
2007-000092	R6234	R-CHIP	15Kohm,5%,1/16W,DA,TP,1608
2007-000094	R103	R-CHIP	22Kohm,5%,1/16W,DA,TP,1608
2007-000094	R605	R-CHIP	22Kohm,5%,1/16W,DA,TP,1608
2007-000097	R199	R-CHIP	47Kohm,5%,1/16W,DA,TP,1608
2007-000097	R603	R-CHIP	47Kohm,5%,1/16W,DA,TP,1608
2007-000098	R602	R-CHIP	56Kohm,5%,1/16W,DA,TP,1608
2007-000102	R553	R-CHIP	100Kohm,5%,1/16W,DA,TP,1608
2007-000102	R554	R-CHIP	100Kohm,5%,1/16W,DA,TP,1608
2007-000102	R874	R-CHIP	100Kohm,5%,1/16W,DA,TP,1608
2007-000102	R875	R-CHIP	100Kohm,5%,1/16W,DA,TP,1608
2007-000109	R305	R-CHIP	1Mohm,5%,1/16W,DA,TP,1608
2007-000109	R309	R-CHIP	1Mohm,5%,1/16W,DA,TP,1608
2007-000109	R317	R-CHIP	1Mohm,5%,1/16W,DA,TP,1608
2007-000113	R121	R-CHIP	33ohm,5%,1/16W,DA,TP,1608
2007-000113	R122	R-CHIP	33ohm,5%,1/16W,DA,TP,1608
2007-000113	R123	R-CHIP	33ohm,5%,1/16W,DA,TP,1608
2007-000113	R124	R-CHIP	33ohm,5%,1/16W,DA,TP,1608
2007-000113	R125	R-CHIP	33ohm,5%,1/16W,DA,TP,1608
2007-000113	R126	R-CHIP	33ohm,5%,1/16W,DA,TP,1608
2007-000113	R202	R-CHIP	33ohm,5%,1/16W,DA,TP,1608
2007-000113	R203	R-CHIP	33ohm,5%,1/16W,DA,TP,1608
2007-000113	R204	R-CHIP	33ohm,5%,1/16W,DA,TP,1608
2007-000113	R205	R-CHIP	33ohm,5%,1/16W,DA,TP,1608
2007-000113	R206	R-CHIP	33ohm,5%,1/16W,DA,TP,1608
2007-000113	R207	R-CHIP	33ohm,5%,1/16W,DA,TP,1608
2007-000113	R6231	R-CHIP	33ohm,5%,1/16W,DA,TP,1608
2007-000116	R238	R-CHIP	120ohm,5%,1/16W,DA,TP,1608
2007-000116	R908	R-CHIP	120ohm,5%,1/16W,DA,TP,1608
2007-000118	R231	R-CHIP	390ohm,5%,1/16W,DA,TP,1608
2007-000120	R645	R-CHIP	680ohm,5%,1/16W,DA,TP,1608
2007-000134	R511	R-CHIP	33Kohm,5%,1/16W,DA,TP,1608
2007-000134	R539	R-CHIP	33Kohm,5%,1/16W,DA,TP,1608
2007-000219	R890	R-CHIP	1.2Kohm,1%,1/16W,DA,TP,1608
2007-000219	R894	R-CHIP	1.2Kohm,1%,1/16W,DA,TP,1608
2007-000239	R244	R-CHIP	1.5Kohm,1%,1/16W,DA,TP,1608
2007-000239	R612	R-CHIP	1.5Kohm,1%,1/16W,DA,TP,1608
2007-000239	R613	R-CHIP	1.5Kohm,1%,1/16W,DA,TP,1608
2007-000309	R027	R-CHIP	10ohm,5%,1/16W,DA,TP,1608
2007-000309	R062	R-CHIP	10ohm,5%,1/16W,DA,TP,1608
2007-000309	R063	R-CHIP	10ohm,5%,1/16W,DA,TP,1608
2007-000309	R214	R-CHIP	10ohm,5%,1/16W,DA,TP,1608
2007-000309	R219	R-CHIP	10ohm,5%,1/16W,DA,TP,1608
2007-000309	R224	R-CHIP	10ohm,5%,1/16W,DA,TP,1608
2007-000309	R438	R-CHIP	10ohm,5%,1/16W,DA,TP,1608
2007-000309	R441	R-CHIP	10ohm,5%,1/16W,DA,TP,1608
2007-000309	R635	R-CHIP	10ohm,5%,1/16W,DA,TP,1608
2007-000309	R692	R-CHIP	10ohm,5%,1/16W,DA,TP,1608
2007-000309	R693	R-CHIP	10ohm,5%,1/16W,DA,TP,1608
2007-000309	RJ15	R-CHIP	10ohm,5%,1/16W,DA,TP,1608
2007-000309	RJ16	R-CHIP	10ohm,5%,1/16W,DA,TP,1608
2007-000309	RJ17	R-CHIP	10ohm,5%,1/16W,DA,TP,1608
2007-000309	RJ18	R-CHIP	10ohm,5%,1/16W,DA,TP,1608
2007-000309	RJ19	R-CHIP	10ohm,5%,1/16W,DA,TP,1608

2007-000512	R109	R-CHIP	2.4Kohm,5%,1/16W,DA,TP,1608
2007-000616	R318	R-CHIP	24Kohm,5%,1/16W,DA,TP,1608
2007-000669	R895	R-CHIP	2Kohm,1%,1/16W,DA,TP,1608
2007-000701	R891	R-CHIP	3.6Kohm,1%,1/16W,DA,TP,1608
2007-001010	R312	R-CHIP	51Kohm,5%,1/16W,DA,TP,1608
2007-001164	R314	R-CHIP	75ohm,1%,1/16W,DA,TP,1608
2007-001164	R315	R-CHIP	75ohm,1%,1/16W,DA,TP,1608
2007-001164	R316	R-CHIP	75ohm,1%,1/16W,DA,TP,1608
2007-001164	R321	R-CHIP	75ohm,1%,1/16W,DA,TP,1608
2007-001164	R325	R-CHIP	75ohm,1%,1/16W,DA,TP,1608
2007-001164	R326	R-CHIP	75ohm,1%,1/16W,DA,TP,1608
2007-001167	R007	R-CHIP	75ohm,5%,1/16W,DA,TP,1608
2007-001167	R008	R-CHIP	75ohm,5%,1/16W,DA,TP,1608
2007-001167	R009	R-CHIP	75ohm,5%,1/16W,DA,TP,1608
2007-001167	R024	R-CHIP	75ohm,5%,1/16W,DA,TP,1608
2007-001167	R067	R-CHIP	75ohm,5%,1/16W,DA,TP,1608
2007-001167	R236	R-CHIP	75ohm,5%,1/16W,DA,TP,1608
2007-001167	R619	R-CHIP	75ohm,5%,1/16W,DA,TP,1608
2007-001175	R505	R-CHIP	8.2Kohm,1%,1/16W,DA,TP,1608
2007-001175	R506	R-CHIP	8.2Kohm,1%,1/16W,DA,TP,1608
2007-002425	R6235	R-CHIP	10HM,5%,1/16W,DA,TP,1608
2007-002425	R6236	R-CHIP	10HM,5%,1/16W,DA,TP,1608
2007-002425	R6237	R-CHIP	10HM,5%,1/16W,DA,TP,1608
2007-008433	R892	R-CHIP	0.33OHM,1%,1W,DA,TP,6432
2007-008433	R893	R-CHIP	0.33OHM,1%,1W,DA,TP,6432
2011-000002	IC002	R-NETWORK	22ohm,5%,63mW,L,CHIP,8P,TP
2011-000002	IC003	R-NETWORK	22ohm,5%,63mW,L,CHIP,8P,TP
2011-000002	IC004	R-NETWORK	22ohm,5%,63mW,L,CHIP,8P,TP
2011-000002	IC005	R-NETWORK	22ohm,5%,63mW,L,CHIP,8P,TP
2011-000002	IC006	R-NETWORK	22ohm,5%,63mW,L,CHIP,8P,TP
2011-000002	IC007	R-NETWORK	22ohm,5%,63mW,L,CHIP,8P,TP
2011-000002	IC008	R-NETWORK	22ohm,5%,63mW,L,CHIP,8P,TP
2011-000002	IC009	R-NETWORK	22ohm,5%,63mW,L,CHIP,8P,TP
2011-000002	RA301	R-NETWORK	22ohm,5%,63mW,L,CHIP,8P,TP
2011-000002	RA302	R-NETWORK	22ohm,5%,63mW,L,CHIP,8P,TP
2011-000002	RA303	R-NETWORK	22ohm,5%,63mW,L,CHIP,8P,TP
2011-000002	RA304	R-NETWORK	22ohm,5%,63mW,L,CHIP,8P,TP
2011-000002	RA305	R-NETWORK	22ohm,5%,63mW,L,CHIP,8P,TP
2011-000002	RA306	R-NETWORK	22ohm,5%,63mW,L,CHIP,8P,TP
2011-000002	RA351	R-NETWORK	22ohm,5%,63mW,L,CHIP,8P,TP
2011-000002	RA352	R-NETWORK	22ohm,5%,63mW,L,CHIP,8P,TP
2011-000002	RA353	R-NETWORK	22ohm,5%,63mW,L,CHIP,8P,TP
2011-000002	RA354	R-NETWORK	22ohm,5%,63mW,L,CHIP,8P,TP
2011-000002	RA355	R-NETWORK	22ohm,5%,63mW,L,CHIP,8P,TP
2011-000002	RA356	R-NETWORK	22ohm,5%,63mW,L,CHIP,8P,TP
2011-000515	IC641	R-NETWORK	4.7Kohm,5%,1/16W,L,CHIP,8P,TP
2011-000515	IC642	R-NETWORK	4.7Kohm,5%,1/16W,L,CHIP,8P,TP
2011-000651	IC621	R-NETWORK	10ohm,5%,63mW,L,CHIP,8P,TP
2011-000651	IC622	R-NETWORK	10ohm,5%,63mW,L,CHIP,8P,TP
2011-000651	IC623	R-NETWORK	10ohm,5%,63mW,L,CHIP,8P,TP
2011-000651	IC624	R-NETWORK	10ohm,5%,63mW,L,CHIP,8P,TP
2011-000651	IC625	R-NETWORK	10ohm,5%,63mW,L,CHIP,8P,TP
2011-000651	IC626	R-NETWORK	10ohm,5%,63mW,L,CHIP,8P,TP
2011-000651	IC627	R-NETWORK	10ohm,5%,63mW,L,CHIP,8P,TP
2011-000651	IC628	R-NETWORK	10ohm,5%,63mW,L,CHIP,8P,TP
2011-000651	IC629	R-NETWORK	10ohm,5%,63mW,L,CHIP,8P,TP
2203-000140	C004	C-CERAMIC,CHIP	1.5nF,10%,50V,X7R,TP,1608,-
2203-000140	C008	C-CERAMIC,CHIP	1.5nF,10%,50V,X7R,TP,1608,-
2203-000140	C016	C-CERAMIC,CHIP	1.5nF,10%,50V,X7R,TP,1608,-

2203-000236	C259	C-CERAMIC,CHIP	0.1nF,5%,50V,NPO,TP,1608
2203-000236	C268	C-CERAMIC,CHIP	0.1nF,5%,50V,NPO,TP,1608
2203-000236	C271	C-CERAMIC,CHIP	0.1nF,5%,50V,NPO,TP,1608
2203-000236	C283	C-CERAMIC,CHIP	0.1nF,5%,50V,NPO,TP,1608
2203-000236	C314	C-CERAMIC,CHIP	0.1nF,5%,50V,NPO,TP,1608
2203-000236	C617	C-CERAMIC,CHIP	0.1nF,5%,50V,NPO,TP,1608
2203-000236	C888	C-CERAMIC,CHIP	0.1nF,5%,50V,NPO,TP,1608
2203-000236	CB01	C-CERAMIC,CHIP	0.1nF,5%,50V,NPO,TP,1608
2203-000236	CG01	C-CERAMIC,CHIP	0.1nF,5%,50V,NPO,TP,1608
2203-000236	CR01	C-CERAMIC,CHIP	0.1nF,5%,50V,NPO,TP,1608
2203-000257	C114	C-CERAMIC,CHIP	10nF,10%,50V,X7R,TP,1608
2203-000257	C116	C-CERAMIC,CHIP	10nF,10%,50V,X7R,TP,1608
2203-000257	C118	C-CERAMIC,CHIP	10nF,10%,50V,X7R,TP,1608
2203-000257	C120	C-CERAMIC,CHIP	10nF,10%,50V,X7R,TP,1608
2203-000257	C122	C-CERAMIC,CHIP	10nF,10%,50V,X7R,TP,1608
2203-000257	C124	C-CERAMIC,CHIP	10nF,10%,50V,X7R,TP,1608
2203-000257	C2030	C-CERAMIC,CHIP	10nF,10%,50V,X7R,TP,1608
2203-000257	C383	C-CERAMIC,CHIP	10nF,10%,50V,X7R,TP,1608
2203-000257	C508	C-CERAMIC,CHIP	10nF,10%,50V,X7R,TP,1608
2203-000257	C623	C-CERAMIC,CHIP	10nF,10%,50V,X7R,TP,1608
2203-000257	C825	C-CERAMIC,CHIP	10nF,10%,50V,X7R,TP,1608
2203-000257	C859	C-CERAMIC,CHIP	10nF,10%,50V,X7R,TP,1608
2203-000257	C863	C-CERAMIC,CHIP	10nF,10%,50V,X7R,TP,1608
2203-000257	C866	C-CERAMIC,CHIP	10nF,10%,50V,X7R,TP,1608
2203-000257	C921	C-CERAMIC,CHIP	10nF,10%,50V,X7R,TP,1608
2203-000257	U122	C-CERAMIC,CHIP	10nF,10%,50V,X7R,TP,1608
2203-000280	C025	C-CERAMIC,CHIP	0.01nF,0.5pF,50V,NPO,TP,1608
2203-000280	C026	C-CERAMIC,CHIP	0.01nF,0.5pF,50V,NPO,TP,1608
2203-000280	C027	C-CERAMIC,CHIP	0.01nF,0.5pF,50V,NPO,TP,1608
2203-000280	C028	C-CERAMIC,CHIP	0.01nF,0.5pF,50V,NPO,TP,1608
2203-000280	C029	C-CERAMIC,CHIP	0.01nF,0.5pF,50V,NPO,TP,1608
2203-000280	C030	C-CERAMIC,CHIP	0.01nF,0.5pF,50V,NPO,TP,1608
2203-000280	C527	C-CERAMIC,CHIP	0.01nF,0.5pF,50V,NPO,TP,1608
2203-000280	C572	C-CERAMIC,CHIP	0.01nF,0.5pF,50V,NPO,TP,1608
2203-000357	C608	C-CERAMIC,CHIP	0.15nF,5%,50V,NPO,TP,1608
2203-000440	C2031	C-CERAMIC,CHIP	1nF,10%,50V,X7R,TP,1608,-
2203-000440	C2032	C-CERAMIC,CHIP	1nF,10%,50V,X7R,TP,1608,-
2203-000440	C301	C-CERAMIC,CHIP	1nF,10%,50V,X7R,TP,1608,-
2203-000440	C536	C-CERAMIC,CHIP	1nF,10%,50V,X7R,TP,1608,-
2203-000440	C537	C-CERAMIC,CHIP	1nF,10%,50V,X7R,TP,1608,-
2203-000440	C885	C-CERAMIC,CHIP	1nF,10%,50V,X7R,TP,1608,-
2203-000440	C901	C-CERAMIC,CHIP	1nF,10%,50V,X7R,TP,1608,-
2203-000440	C902	C-CERAMIC,CHIP	1nF,10%,50V,X7R,TP,1608,-
2203-000440	C905	C-CERAMIC,CHIP	1nF,10%,50V,X7R,TP,1608,-
2203-000455	C058	C-CERAMIC,CHIP	1nF,5%,50V,NPO,TP,2012
2203-000552	C225	C-CERAMIC,CHIP	0.02nF,5%,50V,NPO,TP,1608
2203-000552	C226	C-CERAMIC,CHIP	0.02nF,5%,50V,NPO,TP,1608
2203-000552	C614	C-CERAMIC,CHIP	0.02nF,5%,50V,NPO,TP,1608
2203-000552	C615	C-CERAMIC,CHIP	0.02nF,5%,50V,NPO,TP,1608
2203-000626	C922	C-CERAMIC,CHIP	0.022nF,5%,50V,NPO,TP,1608
2203-000626	C923	C-CERAMIC,CHIP	0.022nF,5%,50V,NPO,TP,1608
2203-000626	C924	C-CERAMIC,CHIP	0.022nF,5%,50V,NPO,TP,1608
2203-000726	C381	C-CERAMIC,CHIP	3.9nF,10%,50V,X7R,TP,1608,-
2203-000815	C244	C-CERAMIC,CHIP	0.033nF,5%,50V,NPO,TP,1608
2203-000815	C290	C-CERAMIC,CHIP	0.033nF,5%,50V,NPO,TP,1608
2203-000815	C291	C-CERAMIC,CHIP	0.033nF,5%,50V,NPO,TP,1608
2203-000815	C292	C-CERAMIC,CHIP	0.033nF,5%,50V,NPO,TP,1608
2203-000815	C293	C-CERAMIC,CHIP	0.033nF,5%,50V,NPO,TP,1608
2203-000815	C294	C-CERAMIC,CHIP	0.033nF,5%,50V,NPO,TP,1608

2203-000815	C295	C-CERAMIC,CHIP	0.033nF,5%,50V,NPO,TP,1608
2203-000815	C296	C-CERAMIC,CHIP	0.033nF,5%,50V,NPO,TP,1608
2203-000815	C297	C-CERAMIC,CHIP	0.033nF,5%,50V,NPO,TP,1608
2203-000815	C298	C-CERAMIC,CHIP	0.033nF,5%,50V,NPO,TP,1608
2203-000815	C299	C-CERAMIC,CHIP	0.033nF,5%,50V,NPO,TP,1608
2203-000815	C304	C-CERAMIC,CHIP	0.033nF,5%,50V,NPO,TP,1608
2203-000815	C308	C-CERAMIC,CHIP	0.033nF,5%,50V,NPO,TP,1608
2203-000815	C309	C-CERAMIC,CHIP	0.033nF,5%,50V,NPO,TP,1608
2203-000815	C310	C-CERAMIC,CHIP	0.033nF,5%,50V,NPO,TP,1608
2203-000815	C366	C-CERAMIC,CHIP	0.033nF,5%,50V,NPO,TP,1608
2203-000815	C368	C-CERAMIC,CHIP	0.033nF,5%,50V,NPO,TP,1608
2203-000815	C371	C-CERAMIC,CHIP	0.033nF,5%,50V,NPO,TP,1608
2203-000815	C373	C-CERAMIC,CHIP	0.033nF,5%,50V,NPO,TP,1608
2203-000815	C375	C-CERAMIC,CHIP	0.033nF,5%,50V,NPO,TP,1608
2203-000815	C376	C-CERAMIC,CHIP	0.033nF,5%,50V,NPO,TP,1608
2203-000815	C3A1	C-CERAMIC,CHIP	0.033nF,5%,50V,NPO,TP,1608
2203-000815	C3A2	C-CERAMIC,CHIP	0.033nF,5%,50V,NPO,TP,1608
2203-000815	C3A3	C-CERAMIC,CHIP	0.033nF,5%,50V,NPO,TP,1608
2203-000815	C3A4	C-CERAMIC,CHIP	0.033nF,5%,50V,NPO,TP,1608
2203-000815	C3A5	C-CERAMIC,CHIP	0.033nF,5%,50V,NPO,TP,1608
2203-000815	C3A6	C-CERAMIC,CHIP	0.033nF,5%,50V,NPO,TP,1608
2203-000815	C3A7	C-CERAMIC,CHIP	0.033nF,5%,50V,NPO,TP,1608
2203-000815	C3A8	C-CERAMIC,CHIP	0.033nF,5%,50V,NPO,TP,1608
2203-000815	C3A9	C-CERAMIC,CHIP	0.033nF,5%,50V,NPO,TP,1608
2203-000815	C3AA	C-CERAMIC,CHIP	0.033nF,5%,50V,NPO,TP,1608
2203-000815	C3AB	C-CERAMIC,CHIP	0.033nF,5%,50V,NPO,TP,1608
2203-000815	C3AC	C-CERAMIC,CHIP	0.033nF,5%,50V,NPO,TP,1608
2203-000815	C3AD	C-CERAMIC,CHIP	0.033nF,5%,50V,NPO,TP,1608
2203-000839	C017	C-CERAMIC,CHIP	0.39nF,5%,50V,NPO,TP,2012
2203-000839	C024	C-CERAMIC,CHIP	0.39nF,5%,50V,NPO,TP,2012
2203-000839	C037	C-CERAMIC,CHIP	0.39nF,5%,50V,NPO,TP,2012
2203-000839	C313	C-CERAMIC,CHIP	0.39nF,5%,50V,NPO,TP,2012
2203-000903	C011	C-CERAMIC,CHIP	0.0047nF,0.25pF,50V,NPO,TP,1608
2203-000903	C012	C-CERAMIC,CHIP	0.0047nF,0.25pF,50V,NPO,TP,1608
2203-000972	C005	C-CERAMIC,CHIP	47nF,10%,16V,X7R,TP,1608
2203-000972	C007	C-CERAMIC,CHIP	47nF,10%,16V,X7R,TP,1608
2203-000972	C013	C-CERAMIC,CHIP	47nF,10%,16V,X7R,TP,1608
2203-000972	C021	C-CERAMIC,CHIP	47nF,10%,16V,X7R,TP,1608
2203-000972	C379	C-CERAMIC,CHIP	47nF,10%,16V,X7R,TP,1608
2203-000972	C576	C-CERAMIC,CHIP	47nF,10%,16V,X7R,TP,1608
2203-000998	C051	C-CERAMIC,CHIP	0.047nF,5%,50V,NPO,TP,1608
2203-000998	C052	C-CERAMIC,CHIP	0.047nF,5%,50V,NPO,TP,1608
2203-000998	C086	C-CERAMIC,CHIP	0.047nF,5%,50V,NPO,TP,1608
2203-000998	C087	C-CERAMIC,CHIP	0.047nF,5%,50V,NPO,TP,1608
2203-000998	C088	C-CERAMIC,CHIP	0.047nF,5%,50V,NPO,TP,1608
2203-000998	C089	C-CERAMIC,CHIP	0.047nF,5%,50V,NPO,TP,1608
2203-000998	C093	C-CERAMIC,CHIP	0.047nF,5%,50V,NPO,TP,1608
2203-000998	C273	C-CERAMIC,CHIP	0.047nF,5%,50V,NPO,TP,1608
2203-001077	C2038	C-CERAMIC,CHIP	0.056nF,5%,50V,NPO,TP,2012
2203-001077	C2039	C-CERAMIC,CHIP	0.056nF,5%,50V,NPO,TP,2012
2203-001077	C567	C-CERAMIC,CHIP	0.056nF,5%,50V,NPO,TP,2012
2203-001077	C568	C-CERAMIC,CHIP	0.056nF,5%,50V,NPO,TP,2012
2203-001077	C571	C-CERAMIC,CHIP	0.056nF,5%,50V,NPO,TP,2012
2203-001126	C892	C-CERAMIC,CHIP	0.68nF,10%,50V,X7R,TP,1608
2203-001140	C002	C-CERAMIC,CHIP	68nF,10%,16V,X7R,TP,1608,-
2203-001140	C003	C-CERAMIC,CHIP	68nF,10%,16V,X7R,TP,1608,-
2203-001140	C006	C-CERAMIC,CHIP	68nF,10%,16V,X7R,TP,1608,-
2203-001402	C015	C-CERAMIC,CHIP	220nF,+80-20%,16V,Y5V,TP,1608
2203-001402	C020	C-CERAMIC,CHIP	220nF,+80-20%,16V,Y5V,TP,1608

2203-005005	C613	C-CERAMIC,CHIP	100nF, 10%, 16V, X7R, TP, 1608
2203-005005	C619	C-CERAMIC,CHIP	100nF, 10%, 16V, X7R, TP, 1608
2203-005005	C625	C-CERAMIC,CHIP	100nF, 10%, 16V, X7R, TP, 1608
2203-005005	C626	C-CERAMIC,CHIP	100nF, 10%, 16V, X7R, TP, 1608
2203-005005	C627	C-CERAMIC,CHIP	100nF, 10%, 16V, X7R, TP, 1608
2203-005005	C630	C-CERAMIC,CHIP	100nF, 10%, 16V, X7R, TP, 1608
2203-005005	C631	C-CERAMIC,CHIP	100nF, 10%, 16V, X7R, TP, 1608
2203-005005	C824	C-CERAMIC,CHIP	100nF, 10%, 16V, X7R, TP, 1608
2203-005005	C873	C-CERAMIC,CHIP	100nF, 10%, 16V, X7R, TP, 1608
2203-005005	C874	C-CERAMIC,CHIP	100nF, 10%, 16V, X7R, TP, 1608
2203-005005	C875	C-CERAMIC,CHIP	100nF, 10%, 16V, X7R, TP, 1608
2203-005005	C884	C-CERAMIC,CHIP	100nF, 10%, 16V, X7R, TP, 1608
2203-005005	C886	C-CERAMIC,CHIP	100nF, 10%, 16V, X7R, TP, 1608
2203-005005	U124	C-CERAMIC,CHIP	100nF, 10%, 16V, X7R, TP, 1608
2203-005005	U125	C-CERAMIC,CHIP	100nF, 10%, 16V, X7R, TP, 1608
2203-005005	U126	C-CERAMIC,CHIP	100nF, 10%, 16V, X7R, TP, 1608
2203-005065	C249	C-CERAMIC,CHIP	1000nF, +80-20%, 10V, Y5V, TP, 1608
2203-005065	C261	C-CERAMIC,CHIP	1000nF, +80-20%, 10V, Y5V, TP, 1608
2203-005065	C264	C-CERAMIC,CHIP	1000nF, +80-20%, 10V, Y5V, TP, 1608
2203-006017	C221	C-CERAMIC,CHIP	0.56nF, 5%, 50V, C0G, TP, 1608
2203-006017	C224	C-CERAMIC,CHIP	0.56nF, 5%, 50V, C0G, TP, 1608
2203-006036	C018	C-CERAMIC,CHIP	680nF, +80-20%, 16V, Y5V, TP, 1608
2203-006036	C067	C-CERAMIC,CHIP	680nF, +80-20%, 16V, Y5V, TP, 1608
2203-006036	C068	C-CERAMIC,CHIP	680nF, +80-20%, 16V, Y5V, TP, 1608
2402-000108	C552	C-AL, SMD	10uF, 20%, 16V, WT, TP, 4.3x4.3x5.4
2402-000108	C561	C-AL, SMD	10uF, 20%, 16V, WT, TP, 4.3x4.3x5.4
2402-000135	C092	C-AL, SMD	22uF, 20%, 16V, GP, TP, 5.3x5.3x5.4
2402-000135	C2000	C-AL, SMD	22uF, 20%, 16V, GP, TP, 5.3x5.3x5.4
2402-000135	C2013	C-AL, SMD	22uF, 20%, 16V, GP, TP, 5.3x5.3x5.4
2402-000135	C218	C-AL, SMD	22uF, 20%, 16V, GP, TP, 5.3x5.3x5.4
2402-000135	C223	C-AL, SMD	22uF, 20%, 16V, GP, TP, 5.3x5.3x5.4
2402-000135	C231	C-AL, SMD	22uF, 20%, 16V, GP, TP, 5.3x5.3x5.4
2402-000135	C236	C-AL, SMD	22uF, 20%, 16V, GP, TP, 5.3x5.3x5.4
2402-000135	C250	C-AL, SMD	22uF, 20%, 16V, GP, TP, 5.3x5.3x5.4
2402-000135	C251	C-AL, SMD	22uF, 20%, 16V, GP, TP, 5.3x5.3x5.4
2402-000135	C252	C-AL, SMD	22uF, 20%, 16V, GP, TP, 5.3x5.3x5.4
2402-000135	C254	C-AL, SMD	22uF, 20%, 16V, GP, TP, 5.3x5.3x5.4
2402-000135	C258	C-AL, SMD	22uF, 20%, 16V, GP, TP, 5.3x5.3x5.4
2402-000135	C269	C-AL, SMD	22uF, 20%, 16V, GP, TP, 5.3x5.3x5.4
2402-000135	C284	C-AL, SMD	22uF, 20%, 16V, GP, TP, 5.3x5.3x5.4
2402-000135	C320	C-AL, SMD	22uF, 20%, 16V, GP, TP, 5.3x5.3x5.4
2402-000135	C339	C-AL, SMD	22uF, 20%, 16V, GP, TP, 5.3x5.3x5.4
2402-000135	C382	C-AL, SMD	22uF, 20%, 16V, GP, TP, 5.3x5.3x5.4
2402-000135	C591	C-AL, SMD	22uF, 20%, 16V, GP, TP, 5.3x5.3x5.4
2402-000135	C592	C-AL, SMD	22uF, 20%, 16V, GP, TP, 5.3x5.3x5.4
2402-000170	C509	C-AL, SMD	1uF, 20%, 50V, GP, TP, 4.3x4.3x5.4,
2402-000170	C828	C-AL, SMD	1uF, 20%, 50V, GP, TP, 4.3x4.3x5.4,
2402-000170	C870	C-AL, SMD	1uF, 20%, 50V, GP, TP, 4.3x4.3x5.4,
2402-000173	C343	C-AL, SMD	4.7uF, 20%, 35V, GP, TP, 4.3x4.3x5.
2402-000173	C351	C-AL, SMD	4.7uF, 20%, 35V, GP, TP, 4.3x4.3x5.
2402-000173	C358	C-AL, SMD	4.7uF, 20%, 35V, GP, TP, 4.3x4.3x5.
2402-000173	C553	C-AL, SMD	4.7uF, 20%, 35V, GP, TP, 4.3x4.3x5.
2402-000173	C554	C-AL, SMD	4.7uF, 20%, 35V, GP, TP, 4.3x4.3x5.
2402-000173	C555	C-AL, SMD	4.7uF, 20%, 35V, GP, TP, 4.3x4.3x5.
2402-000173	C556	C-AL, SMD	4.7uF, 20%, 35V, GP, TP, 4.3x4.3x5.
2402-000173	C557	C-AL, SMD	4.7uF, 20%, 35V, GP, TP, 4.3x4.3x5.
2402-000173	C563	C-AL, SMD	4.7uF, 20%, 35V, GP, TP, 4.3x4.3x5.
2402-000173	C564	C-AL, SMD	4.7uF, 20%, 35V, GP, TP, 4.3x4.3x5.
2402-000176	C009	C-AL, SMD	10uF, 20%, 16V, GP, TP, 4.3x4.3x5.4

2402-000176	C014	C-AL, SMD	10uF, 20%, 16V, GP, TP, 4. 3x4. 3x5. 4
2402-000176	C022	C-AL, SMD	10uF, 20%, 16V, GP, TP, 4. 3x4. 3x5. 4
2402-000176	C042	C-AL, SMD	10uF, 20%, 16V, GP, TP, 4. 3x4. 3x5. 4
2402-000176	C043	C-AL, SMD	10uF, 20%, 16V, GP, TP, 4. 3x4. 3x5. 4
2402-000176	C044	C-AL, SMD	10uF, 20%, 16V, GP, TP, 4. 3x4. 3x5. 4
2402-000176	C045	C-AL, SMD	10uF, 20%, 16V, GP, TP, 4. 3x4. 3x5. 4
2402-000176	C046	C-AL, SMD	10uF, 20%, 16V, GP, TP, 4. 3x4. 3x5. 4
2402-000176	C113	C-AL, SMD	10uF, 20%, 16V, GP, TP, 4. 3x4. 3x5. 4
2402-000176	C115	C-AL, SMD	10uF, 20%, 16V, GP, TP, 4. 3x4. 3x5. 4
2402-000176	C117	C-AL, SMD	10uF, 20%, 16V, GP, TP, 4. 3x4. 3x5. 4
2402-000176	C119	C-AL, SMD	10uF, 20%, 16V, GP, TP, 4. 3x4. 3x5. 4
2402-000176	C121	C-AL, SMD	10uF, 20%, 16V, GP, TP, 4. 3x4. 3x5. 4
2402-000176	C123	C-AL, SMD	10uF, 20%, 16V, GP, TP, 4. 3x4. 3x5. 4
2402-000176	C125	C-AL, SMD	10uF, 20%, 16V, GP, TP, 4. 3x4. 3x5. 4
2402-000176	C241	C-AL, SMD	10uF, 20%, 16V, GP, TP, 4. 3x4. 3x5. 4
2402-000176	C502	C-AL, SMD	10uF, 20%, 16V, GP, TP, 4. 3x4. 3x5. 4
2402-000176	C545	C-AL, SMD	10uF, 20%, 16V, GP, TP, 4. 3x4. 3x5. 4
2402-000176	C546	C-AL, SMD	10uF, 20%, 16V, GP, TP, 4. 3x4. 3x5. 4
2402-000176	C566	C-AL, SMD	10uF, 20%, 16V, GP, TP, 4. 3x4. 3x5. 4
2402-000176	C628	C-AL, SMD	10uF, 20%, 16V, GP, TP, 4. 3x4. 3x5. 4
2402-000179	C001	C-AL, SMD	47uF, 20%, 16V, GP, TP, 6. 6x6. 6x5. 4
2402-000179	C066	C-AL, SMD	47uF, 20%, 16V, GP, TP, 6. 6x6. 6x5. 4
2402-000179	C200	C-AL, SMD	47uF, 20%, 16V, GP, TP, 6. 6x6. 6x5. 4
2402-000179	C289	C-AL, SMD	47uF, 20%, 16V, GP, TP, 6. 6x6. 6x5. 4
2402-000179	C311	C-AL, SMD	47uF, 20%, 16V, GP, TP, 6. 6x6. 6x5. 4
2402-000179	C577	C-AL, SMD	47uF, 20%, 16V, GP, TP, 6. 6x6. 6x5. 4
2402-000179	C603	C-AL, SMD	47uF, 20%, 16V, GP, TP, 6. 6x6. 6x5. 4
2402-000179	C611	C-AL, SMD	47uF, 20%, 16V, GP, TP, 6. 6x6. 6x5. 4
2402-001018	C504	C-AL, SMD	470nF, 20%, 50V, GP, TP, 4. 3x4. 3x5.
2402-001018	C505	C-AL, SMD	470nF, 20%, 50V, GP, TP, 4. 3x4. 3x5.
2402-001019	C616	C-AL, SMD	2. 2uF, 20%, 35V, GP, TP, 3. 3x3. 3x5.
2402-001042	C041	C-AL, SMD	100uF, 20%, 16V, GP, TP, 6. 6x6. 6x5. 4mm
2402-001042	C2026	C-AL, SMD	100uF, 20%, 16V, GP, TP, 6. 6x6. 6x5. 4mm
2402-001042	C247	C-AL, SMD	100uF, 20%, 16V, GP, TP, 6. 6x6. 6x5. 4mm
2402-001042	C281	C-AL, SMD	100uF, 20%, 16V, GP, TP, 6. 6x6. 6x5. 4mm
2402-001042	C336	C-AL, SMD	100uF, 20%, 16V, GP, TP, 6. 6x6. 6x5. 4mm
2402-001042	C392	C-AL, SMD	100uF, 20%, 16V, GP, TP, 6. 6x6. 6x5. 4mm
2402-001042	C406	C-AL, SMD	100uF, 20%, 16V, GP, TP, 6. 6x6. 6x5. 4mm
2402-001042	C510	C-AL, SMD	100uF, 20%, 16V, GP, TP, 6. 6x6. 6x5. 4mm
2402-001042	C511	C-AL, SMD	100uF, 20%, 16V, GP, TP, 6. 6x6. 6x5. 4mm
2402-001042	C535	C-AL, SMD	100uF, 20%, 16V, GP, TP, 6. 6x6. 6x5. 4mm
2402-001042	C575	C-AL, SMD	100uF, 20%, 16V, GP, TP, 6. 6x6. 6x5. 4mm
2402-001042	C604	C-AL, SMD	100uF, 20%, 16V, GP, TP, 6. 6x6. 6x5. 4mm
2402-001042	C621	C-AL, SMD	100uF, 20%, 16V, GP, TP, 6. 6x6. 6x5. 4mm
2402-001042	C822	C-AL, SMD	100uF, 20%, 16V, GP, TP, 6. 6x6. 6x5. 4mm
2402-001042	C861	C-AL, SMD	100uF, 20%, 16V, GP, TP, 6. 6x6. 6x5. 4mm
2402-001042	C889	C-AL, SMD	100uF, 20%, 16V, GP, TP, 6. 6x6. 6x5. 4mm
2402-001042	C891	C-AL, SMD	100uF, 20%, 16V, GP, TP, 6. 6x6. 6x5. 4mm
2402-001042	C903	C-AL, SMD	100uF, 20%, 16V, GP, TP, 6. 6x6. 6x5. 4mm
2402-001042	C904	C-AL, SMD	100uF, 20%, 16V, GP, TP, 6. 6x6. 6x5. 4mm
2402-001042	C906	C-AL, SMD	100uF, 20%, 16V, GP, TP, 6. 6x6. 6x5. 4mm
2402-001042	C907	C-AL, SMD	100uF, 20%, 16V, GP, TP, 6. 6x6. 6x5. 4mm
2402-001042	U140	C-AL, SMD	100uF, 20%, 16V, GP, TP, 6. 6x6. 6x5. 4mm
2402-001086	U137	C-AL, SMD	100UF, 20%, 16V, WT, TP, 6. 6X6. 6X5. 3
2402-001155	C288	C-AL, SMD	47UF, 20%, 16V, WT, TP, 6. 3X5. 2MM
2402-001155	C329	C-AL, SMD	47UF, 20%, 16V, WT, TP, 6. 3X5. 2MM
2409-001046	C2056	C-ORGANIC	39UF, 20%, 16V, WT, TP, 6. 3X6 MM, -
2409-001046	C809	C-ORGANIC	39UF, 20%, 16V, WT, TP, 6. 3X6 MM, -
2409-001046	C841	C-ORGANIC	39UF, 20%, 16V, WT, TP, 6. 3X6 MM, -

2409-001046	C845	C-ORGANIC	39UF,20%,16V,WT,TP,6.3X6 MM,-
2409-001046	C847	C-ORGANIC	39UF,20%,16V,WT,TP,6.3X6 MM,-
2409-001046	C851	C-ORGANIC	39UF,20%,16V,WT,TP,6.3X6 MM,-
2409-001046	C857	C-ORGANIC	39UF,20%,16V,WT,TP,6.3X6 MM,-
2409-001046	U127	C-ORGANIC	39UF,20%,16V,WT,TP,6.3X6 MM,-
2409-001049	C2042	C-ORGANIC	47UF,20%,6.3V,FX,TP,5X5.9MM,-
2409-001049	C2052	C-ORGANIC	47UF,20%,6.3V,FX,TP,5X5.9MM,-
2409-001049	C2053	C-ORGANIC	47UF,20%,6.3V,FX,TP,5X5.9MM,-
2409-001049	C2054	C-ORGANIC	47UF,20%,6.3V,FX,TP,5X5.9MM,-
2409-001049	C2055	C-ORGANIC	47UF,20%,6.3V,FX,TP,5X5.9MM,-
2409-001049	C810	C-ORGANIC	47UF,20%,6.3V,FX,TP,5X5.9MM,-
2409-001049	C813	C-ORGANIC	47UF,20%,6.3V,FX,TP,5X5.9MM,-
2409-001049	C826	C-ORGANIC	47UF,20%,6.3V,FX,TP,5X5.9MM,-
2409-001049	C827	C-ORGANIC	47UF,20%,6.3V,FX,TP,5X5.9MM,-
2409-001049	C867	C-ORGANIC	47UF,20%,6.3V,FX,TP,5X5.9MM,-
2409-001076	U141	C-ORGANIC	15UF,20%,16V,WT,TP,5X5.9MM,1.4
2503-001018	IC111	C-NETWORK	15PFX4,10%,50V,-
2503-001018	IC112	C-NETWORK	15PFX4,10%,50V,-
2503-001018	IC113	C-NETWORK	15PFX4,10%,50V,-
2503-001018	IC114	C-NETWORK	15PFX4,10%,50V,-
2503-001018	IC115	C-NETWORK	15PFX4,10%,50V,-
2503-001018	IC116	C-NETWORK	15PFX4,10%,50V,-
2503-001018	IC117	C-NETWORK	15PFX4,10%,50V,-
2503-001018	IC118	C-NETWORK	15PFX4,10%,50V,-
2503-001018	IC119	C-NETWORK	15PFX4,10%,50V,-
2503-001018	IC120	C-NETWORK	15PFX4,10%,50V,-
2503-001018	IC121	C-NETWORK	15PFX4,10%,50V,-
2503-001018	IC122	C-NETWORK	15PFX4,10%,50V,-
2703-000398	L008	INDUCTOR-SMD	10uH,10%,3.2x2.5x2.2mm
2703-000398	L611	INDUCTOR-SMD	10uH,10%,3.2x2.5x2.2mm
2703-001778	L007	INDUCTOR-SMD	3.3UH,20%,3.2X2.5X2.2MM
2703-001778	L201	INDUCTOR-SMD	3.3UH,20%,3.2X2.5X2.2MM
2703-001778	L202	INDUCTOR-SMD	3.3UH,20%,3.2X2.5X2.2MM
2703-001778	L203	INDUCTOR-SMD	3.3UH,20%,3.2X2.5X2.2MM
2703-001778	L204	INDUCTOR-SMD	3.3UH,20%,3.2X2.5X2.2MM
2703-001778	L206	INDUCTOR-SMD	3.3UH,20%,3.2X2.5X2.2MM
2703-001778	L207	INDUCTOR-SMD	3.3UH,20%,3.2X2.5X2.2MM
2703-001778	L208	INDUCTOR-SMD	3.3UH,20%,3.2X2.5X2.2MM
2703-001778	L209	INDUCTOR-SMD	3.3UH,20%,3.2X2.5X2.2MM
2703-001778	L555	INDUCTOR-SMD	3.3UH,20%,3.2X2.5X2.2MM
2703-001778	L612	INDUCTOR-SMD	3.3UH,20%,3.2X2.5X2.2MM
2703-001778	L613	INDUCTOR-SMD	3.3UH,20%,3.2X2.5X2.2MM
2703-001778	I620	INDUCTOR-SMD	3.3UH,20%,3.2X2.5X2.2MM
2703-002327	L540	INDUCTOR-SMD	3.9UH,55,3.2X2.5X2.2MM
2703-002327	L541	INDUCTOR-SMD	3.9UH,55,3.2X2.5X2.2MM
2704-000001	FT935	INDUCTOR-SMD-ARRAY	4000HM,50V,0.5A,-,0.30HM,-25T085C
2704-000001	FT936	INDUCTOR-SMD-ARRAY	4000HM,50V,0.5A,-,0.30HM,-25T085C
2704-000004	FT937	INDUCTOR-SMD-ARRAY	2000HM,50V,0.5A,-,0.20HM,-25CT0+85C
2801-003667	X201	CRYSTAL-SMD	14.3182MHZ,50PPM,28-AAN,16,500HM,TP
2801-003843	X511	CRYSTAL-SMD	18.432MHz,30ppm,28-AAN,20pF,50ohm,TP
2801-004004	X401	CRYSTAL-SMD	20.25MHz,20ppm,28-AAN,13pF,25ohm,TP
2801-004117	X601	CRYSTAL-SMD	6MHZ,30PPM,28-ABX,20PF,1500HM,TP
2901-001114	FT101	FILTER-EMI SMD	25VDC,2.0ADC,-,100nF,3.2x1.6x1
2901-001114	FT281	FILTER-EMI SMD	25VDC,2.0ADC,-,100nF,3.2x1.6x1
2901-001114	FT901	FILTER-EMI SMD	25VDC,2.0ADC,-,100nF,3.2x1.6x1
2901-001114	FT902	FILTER-EMI SMD	25VDC,2.0ADC,-,100nF,3.2x1.6x1
2901-001114	FT903	FILTER-EMI SMD	25VDC,2.0ADC,-,100nF,3.2x1.6x1
2901-001114	FT904	FILTER-EMI SMD	25VDC,2.0ADC,-,100nF,3.2x1.6x1
2901-001114	FT923	FILTER-EMI SMD	25VDC,2.0ADC,-,100nF,3.2x1.6x1

2901-001114	R293	FILTER-EMI SMD	25VDC, 2.0ADC, -, 100nF, 3.2x1.6x1	
3301-001145	FT211	CORE-FERRITE BEAD	AB, 4.5x1.6x1.6mm, -, -	SNA
3301-001145	FT303	CORE-FERRITE BEAD	AB, 4.5x1.6x1.6mm, -, -	SNA
3301-001145	FT304	CORE-FERRITE BEAD	AB, 4.5x1.6x1.6mm, -, -	SNA
3301-001145	FT814	CORE-FERRITE BEAD	AB, 4.5x1.6x1.6mm, -, -	SNA
3301-001145	FT815	CORE-FERRITE BEAD	AB, 4.5x1.6x1.6mm, -, -	SNA
3301-001145	FT816	CORE-FERRITE BEAD	AB, 4.5x1.6x1.6mm, -, -	SNA
3301-001145	FT817	CORE-FERRITE BEAD	AB, 4.5x1.6x1.6mm, -, -	SNA
3301-001145	FT818	CORE-FERRITE BEAD	AB, 4.5x1.6x1.6mm, -, -	SNA
3301-001145	FT821	CORE-FERRITE BEAD	AB, 4.5x1.6x1.6mm, -, -	SNA
3301-001145	FT822	CORE-FERRITE BEAD	AB, 4.5x1.6x1.6mm, -, -	SNA
3301-001145	FT824	CORE-FERRITE BEAD	AB, 4.5x1.6x1.6mm, -, -	SNA
3301-001145	FT825	CORE-FERRITE BEAD	AB, 4.5x1.6x1.6mm, -, -	SNA
3301-001145	FT851	CORE-FERRITE BEAD	AB, 4.5x1.6x1.6mm, -, -	SNA
3301-001145	FT852	CORE-FERRITE BEAD	AB, 4.5x1.6x1.6mm, -, -	SNA
3301-001145	FT927	CORE-FERRITE BEAD	AB, 4.5x1.6x1.6mm, -, -	SNA
3301-001145	FT928	CORE-FERRITE BEAD	AB, 4.5x1.6x1.6mm, -, -	SNA
3301-001145	FT929	CORE-FERRITE BEAD	AB, 4.5x1.6x1.6mm, -, -	SNA
3301-001145	U142	CORE-FERRITE BEAD	AB, 4.5x1.6x1.6mm, -, -	SNA
3301-001605	FT925	CORE-FERRITE BEAD	AB, 3600HM, 2.0X1.2X1.2MM, 100MA, TP, FERRITE, 0.50HM	SNA
3301-001605	FT926	CORE-FERRITE BEAD	AB, 3600HM, 2.0X1.2X1.2MM, 100MA, TP, FERRITE, 0.50HM	SNA
3301-001605	FT930	CORE-FERRITE BEAD	AB, 3600HM, 2.0X1.2X1.2MM, 100MA, TP, FERRITE, 0.50HM	SNA
3301-001605	FT931	CORE-FERRITE BEAD	AB, 3600HM, 2.0X1.2X1.2MM, 100MA, TP, FERRITE, 0.50HM	SNA
3301-001605	FT932	CORE-FERRITE BEAD	AB, 3600HM, 2.0X1.2X1.2MM, 100MA, TP, FERRITE, 0.50HM	SNA
3301-001605	FT933	CORE-FERRITE BEAD	AB, 3600HM, 2.0X1.2X1.2MM, 100MA, TP, FERRITE, 0.50HM	SNA
3301-001605	FT934	CORE-FERRITE BEAD	AB, 3600HM, 2.0X1.2X1.2MM, 100MA, TP, FERRITE, 0.50HM	SNA
3704-000249	IC620_SOCKET	SOCKET-IC	32P, PLCC, SN, 1.27mm	
3711-000556	CN701	CONNECTOR-HEADER	BOX, 12P, 1R, 1.25mm, SMD-A, SN	SNA
3711-000922	CN501	CONNECTOR-HEADER	BOX, 4P, 1R, 1.25mm, SMD-A, SN	
3711-002046	CNJIG	CONNECTOR-HEADER	3WALL, 12P, 1R, 1.25mm, SMD-S, SN	SNA
3711-002049	CN754	CONNECTOR-HEADER	BOX, 6P, 1R, 1.25mm, SMD-A, SN	SNA
3711-002127	CN878	CONNECTOR-HEADER	BOX, 8P, 1R, 1.25mm, SMD-A, SN	SNA
3711-003161	CN901	CONNECTOR-HEADER	BOX, 20P, 1R, 1.25mm, ANGLE, SN	
3711-004130	CN505_1	CONNECTOR-HEADER	BOX, 31P, 2R, 0.625mm, SMD-A, AUF	
3711-004130	CN920_1	CONNECTOR-HEADER	BOX, 31P, 2R, 0.625mm, SMD-A, AUF	
3711-004933	CN502	CONNECTOR-HEADER	BOX, 3P, 1R, 1.25MM, SMD-A, SN, WHT	SNA
3711-004933	CN706_1	CONNECTOR-HEADER	BOX, 3P, 1R, 1.25MM, SMD-A, SN, WHT	SNA
BN27-00009A	L806	COIL CHOKE	SMD 12X12X6, EOS, 33UH, 15%, -, 0.12 MAX, 2A, DR10X5.0MM, 18.5TS, 12X12X6, 1.8MM, 1UEW 0.	
BN27-00010A	L805	COIL CHOKE	-, NK17NS, 100UH, 10%, -, 0.7 MAX, 6A, DR5.8X4.5MM, 59.5TS, 6.0X5.2X4.5MM, 1.8MM, 1UEW 0.	
BN27-00010A	L830	COIL CHOKE	-, NK17NS, 100UH, 10%, -, 0.7 MAX, 6A, DR5.8X4.5MM, 59.5TS, 6.0X5.2X4.5MM, 1.8MM, 1UEW 0.	
BN27-20001A	L807	COIL-CHOKE	-, 53.0UH, 20%, DR10*5, -, -, -, 0.18ohm, -, -, -, TRAY	
BN27-20001A	L818	COIL-CHOKE	-, 53.0UH, 20%, DR10*5, -, -, -, 0.18ohm, -, -, -, TRAY	
BN41-00186A	MP1.0	PCB MAIN	MB15EO, FR4, 6L, 175X181X1.23, MB15EO	SNA
BN92-00503A	-	ASSY BOX	LW15S13WX/XEC, SESA, SPAIN	SNA
BH68-00329A	C1S	LABEL BAR CODE	ALL, MPR11, DOM, EXPORT, ART-PAPER 90G, -, -, -, -, WHT, -, -	SNA
BH75-10529A	C1S	UNIT-HANDLE PACKING	LXA410TLMU, PE, -, WHITE, -	SNA
BN72-60001A	C1S	LEVER TOP	LSD210TL, PE-LD, WHITE, TFT_LCD	SNA
BN72-60002A	C1S	LEVER BOTTOM	LSD210TL, PE-LD, WHITE, TFT-LCD	SNA
BN69-00341A	C1S	BOX	LW15S13C, GUJU, CB-SW4, YEL, A-1, L523*W415*H90	SNA
BN92-00506A	-	ASSY P/MATERIAL	MB15EO	SNA
0203-001100	C1S	TAPE-OPP MASKING	OPP/W75/CLR, TO.05, W75, L800000, CLR	SNA
BH69-00256C	C1S	PAD-PACKING-EDGE	MV940, B400, W200, L2030, -, -, YEL, -, -	SNA
BH69-00260A	C1S	BAG AIR	DP17L, PE, 0.2, 1800, 1000, NATURAL, -	SNA
BH69-30002C	C1S	BAG-PE	LDPE, TO.05, W2400, NO_PRINT	SNA
BH69-30348C	C1S	BAG-PE	HDPE, TO.02, W350*L430, Y, -, CGB51	SNA
BH69-30355E	C1S	BAG-PE/N	NK15, PE FOAM, 0.5, 650, 650, NTR	SNA
BH69-30360A	C1S	BAG-AIR	HDPE, TO.2, W1000*L1800, R99, ALU	SNA
BH69-40380A	C1S	PACKING-PAD	DW-2, 500X2200X200, -, CGK5527	SNA
BN69-00274A	C1S	CUSHION	RB15, EPS, -, -, -, -, M50	SNA

BN69-00293F	CIS	PALLET-PACKING	MB15,STEEL,1290,1080,100	SNA
BN92-00578T	-	ASSY ACCESSORY	LW15S13WX/XEC,SESA,SPAIN	SNA
BN59-00225A	CIS	REMOCON	-,TM71,NIKE,41,GR20,BLUE,PAL,-,-,-,-	
BN96-00145T	CIS	ASSY ACCESSORY	LW15S13WX/XEC,SESA,SPAIN	
0203-000214	CIS	TAPE-OPP MASKING	OPP/W50/CLR,TO.05,W50,L400000,	SNA
4301-000121	CIS	BATTERY-MN	1.5V,-,AAA,10.5x44.5m,HOLDER	SNA
BH39-10339H	CIS	CBF POWER CORD	DET,H05VV-F,250V/10,16A,BLK,25	
BH39-40355W	CIS	CBF-HARNESS	-,2000MM,IVORY,-,-,-	
BH69-30348D	CIS	BAG-PE	LDPE,TO.05,W240*L356,Y,-,CMG73	SNA
BN39-00043A	CIS	CBF SIGNAL	DETACHABLE,-,15P/15P,-,-,-	
BN96-00145Y	CIS	ASSY ACCESSORY	211MP,DOMESTIC,KOREA	
0203-000214	CIS	TAPE-OPP MASKING	OPP/W50/CLR,TO.05,W50,L400000,	SNA
6801-001009	CIS	CARD-WARRANTY	EUROPE(12),8	SNA
6801-001014	CIS	CARD-REGISTRATION	XEU,ENG,MOJO100,L150,W392,-,-	SNA
6801-001015	CIS	CARD-REGISTRATION	XEG,GERMAN,MOJO100,L150,W392,-,-	SNA
6801-001016	CIS	CARD-REGISTRATION	XEF,FRENCH,MOJO100,L150,W392,-,-	SNA
6801-001017	CIS	CARD-REGISTRATION	XEC,SPANISH,MOJO100,L150,W392,-,-	SNA
6801-001019	CIS	CARD-REGISTRATION	XEN,DUTCH,MOJO100,L150,W392,-,-	SNA
6801-001020	CIS	CARD-REGISTRATION	XEP,PORTUGAL,MOJO100,L150,W392,-,-	SNA
BH69-30348D	CIS	BAG-PE	LDPE,TO.05,W240*L356,Y,-,CMG73	SNA
BN68-00281D	CIS	MANUAL USERS	LW15S13C,SAMSUNG,E/F/S/G/P/I/SW,EUROPE,MOJO100G	SNA
BN92-00619J	-	ASSY LABEL	LW15S13CX/XEC	SNA
AA68-50502A	CIS	LABEL-CONFORMATION	W/P100(G),CTV,ITALY,170x110,BL	SNA
BN68-00267B	CIS	LABEL RATING	MB15EO,EDC,PE,TO.05,65,79,PE NATURE	SNA
EW-LW15S13CX/XEC	-	2	LTM150XH-L06	-
BN90-00316A	-	ASSY COVER FRONT	MB15NO	SNA
BN90-00255A	CIS	ASSY COVER FRONT	RB15,-,ABS HB,-,SILVER,-,-,-	
6003-000259	CIS	SCREW-TAPTITE	BH,+,B,M3,L8,ZPC(YEL),SWRCH18A	SNA
BN59-00282B	CIS	SPEAKER SYSTEM	MINERVA,3W,46C46X20MM,WIRE:395MM+CORE	
BN59-00283B	CIS	SPEAKER SYSTEM	MINERVA,3W,46C46X20MM,WIRE:110MM+CORE	
BN59-00287A	CIS	BOARD-FUNCTION ASS'Y	MB15UO,CT5000-0610,FUNCTION ASS'Y	SNA
BN59-00344A	CIS	BOARD-PHONE-JACK ASS'Y	MB15EO,CT5000-1090,PHONE-JACK ASS'Y	SNA
BN61-00082A	CIS	BRACKET-SPRING-STAND	RB15,SUS,TO.5,-,-,-,-	SNA
BN63-00172A	CIS	COVER-FRONT	RB15,ABS,-,-,-,HB,-,BK08,SILVER SPRAY	SNA
BN63-00175A	CIS	COVER-LENS	RB15,ABS,-,-,-,HB,-,IV16,NONE,1.5	SNA
BN64-00031A	CIS	BADGE-BRAND	RB15AS,AL,T1.4,6.3,40.1,-,SILVER,-	SNA
BN64-00056A	CIS	KNOB-POWER	RB15,PC,-,-,-,HB,CLEAR,-,NI-CR	
BN64-00057A	CIS	KNOB-FUNCTION	RB15,ABS+PC,-,-,-,HB,BK08,-,NONE,1.5	
BN67-00048A	CIS	LENS-IR	RB15,ACRYL,CLEAR,-,1.5,-,HALF-MIRROR	SNA
BN67-00054A	CIS	LENS-LED	RB15,ACRYL,CLEAR,1	
BN90-00318A	-	ASSY STAND	MB15NO	SNA
BN90-00257A	CIS	ASSY STAND	RB15,-,ABD HB,-,-,-,-,-	
6001-001612	CIS	SCREW-MACHINE	CH,+,M2,L3.5,ZPC(BLK),SWRCH18A,FP,-	
6003-001347	CIS	SCREW-TAPTITE	FH,+,B,M4,L16,ZPC(YEL),SWRCH18A,-	SNA
BN61-00158A	CIS	BRACKET-STAND	MINERVA,STS 420J2,T2.0	SNA
BN63-00176A	CIS	COVER-STAND	RB15,ABS,-,-,-,HB,-,BK08,HB,1.5	SNA
BN73-60002A	CIS	RUBBER-FOOT	CY15PO,SPONGE,-,-,-,BL,-,-,-,-	SNA
BN90-00258A	CIS	ASSY HINGE	RB15,-,AL,-,-,-,-,DIE-CASTING	SNA
BN90-00362A	-	ASSY COVER REAR	MB15EO	SNA
6003-001246	C/F+C/R	SCREW-TAPTITE	FH,+,B,M3,L10,NI PLT,SWRCH18A	SNA
BN96-00038C	CIS	ASSY COVER P-REAR	MB15EO,EUROPE,ABS HB,SVM-1207,PAL	
BN61-00092A	CIS	BRACKET-PIN	RB15,CU+ZN,TO.23,35MM	SNA
BN63-00173A	CIS	COVER-REAR	RB15,ABS,-,-,-,HB,-,BK08,SILVER SPRAY	SNA
BN63-00199A	CIS	COVER-HANDLE	RB15,ABS,HB,BK08,HB,1.5	SNA
BN91-00386D	-	ASSY MISC-ADAPTOR	NK15SO	SNA
BN44-00063A	CIS	ADAPTOR	AD-4914N,EOS17,100-240VAC,47 - 63 HZ,+14VDC,3.5A,-,49W,-,0 TO +40 C,120*63*31,SA	
BN91-00395A	-	ASSY SHIELD	MB15NO	SNA
6003-000117	SH/PCB+C/F	SCREW-TAPTITE	BH,+,B,M3,L6,ZPC(YEL),SWRCH18A	SNA
6003-000117	SH/PCB+IN/PCB	SCREW-TAPTITE	BH,+,B,M3,L6,ZPC(YEL),SWRCH18A	SNA

6003-000117	SH/PCB+M/PCB	SCREW-TAPTITE	BH,+ , B,M3,L6,ZPC(YEL),SWRCH18A	SNA
BN02-00010A	CIS	TAPE ETC	MINERVA,AL-TAPE,0.07MM,60MM,80MM,SILVER,DK-100-60-80	SNA
BN02-00017A	CIS	TAPE ETC	MB15ES,DK101,COPPER,0.13MM,80MM,80MM,GOLD,DK-101-80-80	SNA
BN59-00304A	CIS	BOARD-INPUT ASS'Y	MB15EO,INPUT ASS'Y	SNA
BN90-00256B	CIS	ASSY SHIELD-PCB	MB15EO,EULOPE,SECC TO.5	SNA
BN63-00177A	CIS	SHIELD-PCB	RB15,SECC,TO.5,-,-,-,-	SNA
BN63-00412A	CIS	GASKET	MB15VO,CONDUCTIVE FABRIC,1MM,8MM,58MM,GRAY,71TSFK 8-1-58-13-D,71TSFK 8-1-58-13-D	SNA
BN63-00417A	CIS	GASKET	MINERVA,CONDUCTIVE_FABRIC,4MM,10MM,45MM,GRAY,71TSSK 10-4-45-13,71TSSK 10-4-45-13	SNA
BN63-00515A	CIS	GASKET	MB15ES,CONDUCTIVE FABRIC,4MM,10MM,25MM,GRAY,71TSSK-10-4-25-13,SHIELD FORM	SNA
BN71-00022A	CIS	EARTH PLATE	RB15AS,SUS,TO.15	SNA
BN91-00440A	-	ASSY CHASSIS	MB15EO	SNA
BN94-00332A	-	ASSY PCB MAIN	MB15EO	SNA
0201-001223	CIS	ADHESIVE-TS	HT-130S,RED,700+/- 50,-	SNA
0202-001044	CIS	SOLDER-WIRE.	S63S-W3.0,S63S,D3,63Sn/37Pb,-	SNA
0202-001046	CIS	SOLDER-WIRE FLUX	CF-110VH-2A,-,-,-,-	SNA
0202-001222	CIS	SOLDER-WIRE FLUX	RS-107,RS60-1.2AA,D1.2,SN60/PB40,-	SNA
0204-001095	CIS	THINNER	#4520,-,-,-	SNA
BH73-60304E	CIS	RUBBER-SUPPORT	MO15PS,CR VO,6*6*6.4,BLACK	SNA
BN39-00161B	CIS	LEAD CONNECTOR-ASSY	MB15UO,UL1571#30,UL/CSA,12P,#28,12505HS-12,12505HS-12,BK,40MM,1571#30,SJ02-01-05	SNA
BN39-00272A	CIS	LEAD CONNECTOR-ASSY	MB15UO,UL1571#28,UL/CSA,20P,#28,12507HS-20,12507HS-20,BK,50MM,1571#28,SJ01-01-40	SNA
BN39-00275A	CIS	LEAD CONNECTOR-ASSY	MB15UO,UL1061#28,UL/CSA,8P,#28,12505HS-08,12505HS-08,BK,125MM,1061#28,SJ02-01-06	SNA
BN39-00296A	CIS	LEAD CONNECTOR	MB15SO,UL1571#28,UL/CSA,31P,#28,FI-W31S,FI-W31S,BK,40MM,1571#28	SNA
BN39-00336A	CIS	LEAD CONNECTOR	MB15EO,UL1571#28,UL/CSA,31P,#28,FI-W31S,FI-W31S,BK,40MM,1571#28,SJ02-01-269,EMI-	SNA
BN44-00061B	CIS	INVERTER	MB15UO,SIC540A,48KHZ,14VDC,3.6MARM,6.8MARM,48KHZ,140*65.5*7.0,4LAMP,48KHZ	SNA
BN60-00011A	CIS	FASTENER-PEM/NUT	MINERVA,SUM24L(SN),M3,-,7.0,6.8,WHT	SNA
BN63-00174A	CIS	COVER-PCB	RB15,ABS,-,-,-,VO,-,IV16,TBBA,1.5	SNA
BN63-00413A	CIS	GASKET	MB15KO,CONDUCTIVE FABRIC,5MM,8MM,8MM,GRAY,71TSMK 8-5-8-13-D,71TSMK 8-5-8-13-D	SNA
BN97-00115G	-	ASSY MICOM	MB15EO	SNA
1102-001129	IC620	IC-EPROM	M27W401,512KX8BIT,PLCC,32P,11.35X13.89MM,80NS,3.3V,10%,PLASTIC,-40TO+85C,-,CMOS,	SNA
BN46-00014D	CIS	S/W MICOM	MB15EO	SNA
BN97-00120A	-	ASSY SMD	MB15EO	SNA
0202-001162	CIS	SOLDER-CREAM	RMA-20-21L,S63,-,SN63/PB36.6/AGO.4,FLUX9.5%	SNA
0401-001056	D681	DIODE-SWITCHING	MMBD4148SE,75V,200MA,SOT-23,TP	SNA
0401-001056	D804	DIODE-SWITCHING	MMBD4148SE,75V,200MA,SOT-23,TP	SNA
0402-000553	D802	DIODE-RECTIFIER	SS24,40V,2.0A,DO-214AA	SNA
0402-000553	D875	DIODE-RECTIFIER	SS24,40V,2.0A,DO-214AA	SNA
0402-001098	D803	DIODE-RECTIFIER	SK34,40V,3A,SMC,TP	SNA
0403-000579	D601	DIODE-ZENER	BZX84C5V1,5.1V,5%,200mW,SOT-23	SNA
0403-000579	D602	DIODE-ZENER	BZX84C5V1,5.1V,5%,200mW,SOT-23	SNA
0403-000579	D604	DIODE-ZENER	BZX84C5V1,5.1V,5%,200mW,SOT-23	SNA
0403-000579	U133	DIODE-ZENER	BZX84C5V1,5.1V,5%,200mW,SOT-23	SNA
0403-000579	U134	DIODE-ZENER	BZX84C5V1,5.1V,5%,200mW,SOT-23	SNA
0403-001052	D543	DIODE-ZENER	RD8.2MB,8.2V,7.7-8.64V,200mW,S	SNA
0403-001052	D545	DIODE-ZENER	RD8.2MB,8.2V,7.7-8.64V,200mW,S	SNA
0403-001052	D570	DIODE-ZENER	RD8.2MB,8.2V,7.7-8.64V,200mW,S	SNA
0403-001052	D571	DIODE-ZENER	RD8.2MB,8.2V,7.7-8.64V,200mW,S	SNA
0404-001166	D801	DIODE-SCHOTTKY	MBRM130LT3,30V,1000MA,DO-216AA,TP	SNA
0404-001166	D880	DIODE-SCHOTTKY	MBRM130LT3,30V,1000MA,DO-216AA,TP	SNA
0501-000342	Q020	TR-SMALL SIGNAL	KSC1623-Y,NPN,200mW,SOT-23,TP,135-270	SNA
0501-000342	Q201	TR-SMALL SIGNAL	KSC1623-Y,NPN,200mW,SOT-23,TP,135-270	SNA
0501-000342	Q601	TR-SMALL SIGNAL	KSC1623-Y,NPN,200mW,SOT-23,TP,135-270	SNA
0501-000342	Q611	TR-SMALL SIGNAL	KSC1623-Y,NPN,200mW,SOT-23,TP,135-270	SNA
0501-002080	Q001	TR-SMALL SIGNAL	2SC2412K,NPN,200mW,SC-59,TP,120-270	SNA
0501-002080	Q602	TR-SMALL SIGNAL	2SC2412K,NPN,200mW,SC-59,TP,120-270	SNA
0501-002080	Q808	TR-SMALL SIGNAL	2SC2412K,NPN,200mW,SC-59,TP,120-270	SNA
0501-002080	Q812	TR-SMALL SIGNAL	2SC2412K,NPN,200mW,SC-59,TP,120-270	SNA
0505-001170	IC808	FET-SILICON	S19933ADY-T1,P,-20V,3.7kOhm,2W,SO-8	SNA
0801-002267	IC406	IC-CMOS LOGIC	74LCX14,-,SOIC,14P,150MIL,-,TP,-,-,-,3.6V,-40TO+85C,-,5.5V,-,-,24MA	SNA
0904-001009	IC631	IC-I/O SUPPORT CHIP	8574A,-,SOP,16P,300MIL,100KHz,	SNA

0904-001009	IC632	IC-I/O SUPPORT CHIP	8574A, -, SOP, 16P, 300MIL, 100KHZ,
1001-001082	IC013	IC-VIDEO SWITCH	BA7657F, -, SOP, 24P, 300MIL, SINGL
1001-001109	IC012	IC-ANALOG SWITCH	FST3125M, BUS SWITCH & CMOS, SOIC, 17P, 150MIL, QUAD, 7V, -40TO+85C, PLASTIC, -, 4.00HM, 5.
1001-001109	IC681	IC-ANALOG SWITCH	FST3125M, BUS SWITCH & CMOS, SOIC, 17P, 150MIL, QUAD, 7V, -40TO+85C, PLASTIC, -, 4.00HM, 5.
1001-001177	IC011	IC-VIDEO SWITCH	TEA6425D, VIDEO SWITCH, SOIC, 20P, 300MIL, -, 8.8V, 0TO+70C, PLASTIC, -, -, -, 2UA, ST, -
1001-001190	IC001	IC-ANALOG SWITCH	FST16233MTD, BUS SWITCH, TSSOP, 56P, 240MIL, -, 5.5V, -40TO+85C, PLASTIC, -, 200HM, 8.5NS, 7
1002-001292	IC350	IC-A/D CONVERTER	AD9883AKST-110, 8BITS, QFP, 80P, 551MIL, ±0.5LSB, TR, CMOS, PLASTIC, 3.3V, -25TO+85C, 650M
1003-001419	IC300	IC-DISPLAY DRIVER	MN82860, QFP, 208P, 1102MIL, -, -, TR, PLASTIC, 3.3V, -, 2.3W, -, -
1103-000129	IC401	IC-EEPROM	24C02, 256x8BIT, SOP, 8P, 150MIL, 1
1103-000138	IC603	IC-EEPROM	24C16, 2Kx8BIT, SOP, 8P, 150MIL, 10
1105-001336	IC210	IC-DRAM	4S643232, 512Kx32x4Bit, TSOP, 86P, 400MIL, 60nS, 3.3V, 10%, PLASTIC, 0to+70C, 2mA, CMOS, TP
1105-001336	IC211	IC-DRAM	4S643232, 512Kx32x4Bit, TSOP, 86P, 400MIL, 60nS, 3.3V, 10%, PLASTIC, 0to+70C, 2mA, CMOS, TP
1201-001559	IC503	IC-AUDIO AMP	4863, TSSOP, 20P, 173MIL, DUAL, 98dB, PLASTIC, 5.5V, 2.45W, -40to+85C, -, -, -, -
1203-000404	IC801	IC-DC/DC CONVERTER	34063, SOP, 8P, 150MIL, PLASTIC, 1.0/1.3V, -, 0TO+70C, 4.0MA, -, ST
1203-000404	IC810	IC-DC/DC CONVERTER	34063, SOP, 8P, 150MIL, PLASTIC, 1.0/1.3V, -, 0TO+70C, 4.0MA, -, ST
1203-001212	IC604	IC-VOL. DETECTOR	7029, SOT-89, 3P, -, PLASTIC, -, 500
1203-001293	IC811	IC-POSITION FIXED REG.	033, TO-252, 3P, 6.5MIL, PLASTIC, 3
1203-001448	IC804	IC-SWITCH VOL. REG.	2596, TO-263, 5P, -, PLASTIC, 4.750
1203-001448	IC807	IC-SWITCH VOL. REG.	2596, TO-263, 5P, -, PLASTIC, 4.750
1203-001816	IC803	IC-POSITION FIXED REG.	78M08, TO-252, 3P, -, PLASTIC, 7.7/8.3V, 1.0W, -40TO+85C, 0.5A, -, TP
1203-001830	IC805	IC-SWITCH VOL. REG.	2676, TO-263, 7P, -, PLASTIC, 3.234/3.336V, -, -40TO+125C, 3A, -, TP
1203-001890	IC802	IC-VOLTAGE REGULATOR	3961, SOT223-5, 5P, -, PLASTIC, 2.5V, -, -40to+125C, 800mA, -, TR
1203-001890	IC806	IC-VOLTAGE REGULATOR	3961, SOT223-5, 5P, -, PLASTIC, 2.5V, -, -40to+125C, 800mA, -, TR
1204-001675	IC919	IC-SOUND PROCESSOR	MSP3451G, QFP, 80P, -, PLASTIC, 9V, 1000mW, 0to+70C, TR, Multistandard Sound
1204-001911	IC200	IC-VIDEO PROCESS	DPTV-3D-6730, PQFP, 208P, 28X28MM, PLASTIC, 4.6V, -, 0TO+70C, TR, -
1204-001912	IC601	IC-DECODER	SDA5550M, P-MQFP, 100P, -, PLASTIC, 3.3V, 1.5W, 0TO+70C, TR, -
1204-001926	IC010	IC-VIDEO PROCESS	VPC3230D-C5, PQFP, 80P, -, PLASTIC, 6V, -, 0 TO 65C, TP, VPC3230D-C5
1205-001740	IC901	IC-TRANSMITTER	DS90C385, TSSOP, 56P, 240MIL, PLASTIC, 4V, 1.63W, -10 TO +70C, ST, FPD LINK-85MHZ(LVDS)
2007-000070	R0VS	R-CHIP	0ohm, 5%, 1/16W, DA, TP, 1608
2007-000070	R215	R-CHIP	0ohm, 5%, 1/16W, DA, TP, 1608
2007-000070	R216	R-CHIP	0ohm, 5%, 1/16W, DA, TP, 1608
2007-000070	R217	R-CHIP	0ohm, 5%, 1/16W, DA, TP, 1608
2007-000070	R218	R-CHIP	0ohm, 5%, 1/16W, DA, TP, 1608
2007-000070	R222	R-CHIP	0ohm, 5%, 1/16W, DA, TP, 1608
2007-000070	R234	R-CHIP	0ohm, 5%, 1/16W, DA, TP, 1608
2007-000070	R242	R-CHIP	0ohm, 5%, 1/16W, DA, TP, 1608
2007-000070	R303	R-CHIP	0ohm, 5%, 1/16W, DA, TP, 1608
2007-000070	R328	R-CHIP	0ohm, 5%, 1/16W, DA, TP, 1608
2007-000070	R351	R-CHIP	0ohm, 5%, 1/16W, DA, TP, 1608
2007-000070	R652	R-CHIP	0ohm, 5%, 1/16W, DA, TP, 1608
2007-000070	R902	R-CHIP	0ohm, 5%, 1/16W, DA, TP, 1608
2007-000070	R0HS	R-CHIP	0ohm, 5%, 1/16W, DA, TP, 1608
2007-000071	R002	R-CHIP	22ohm, 5%, 1/16W, DA, TP, 1608
2007-000071	R003	R-CHIP	22ohm, 5%, 1/16W, DA, TP, 1608
2007-000071	R004	R-CHIP	22ohm, 5%, 1/16W, DA, TP, 1608
2007-000071	R102	R-CHIP	22ohm, 5%, 1/16W, DA, TP, 1608
2007-000071	R304	R-CHIP	22ohm, 5%, 1/16W, DA, TP, 1608
2007-000071	R355	R-CHIP	22ohm, 5%, 1/16W, DA, TP, 1608
2007-000071	R367	R-CHIP	22ohm, 5%, 1/16W, DA, TP, 1608
2007-000071	R6228	R-CHIP	22ohm, 5%, 1/16W, DA, TP, 1608
2007-000072	R329	R-CHIP	47ohm, 5%, 1/16W, DA, TP, 1608
2007-000072	R354	R-CHIP	47ohm, 5%, 1/16W, DA, TP, 1608
2007-000072	R521	R-CHIP	47ohm, 5%, 1/16W, DA, TP, 1608
2007-000072	R522	R-CHIP	47ohm, 5%, 1/16W, DA, TP, 1608
2007-000072	R526	R-CHIP	47ohm, 5%, 1/16W, DA, TP, 1608
2007-000072	R528	R-CHIP	47ohm, 5%, 1/16W, DA, TP, 1608
2007-000072	R529	R-CHIP	47ohm, 5%, 1/16W, DA, TP, 1608
2007-000072	R531	R-CHIP	47ohm, 5%, 1/16W, DA, TP, 1608
2007-000072	R903	R-CHIP	47ohm, 5%, 1/16W, DA, TP, 1608

2007-000075	R642	R-CHIP	220ohm,5%,1/16W,DA,TP,1608
2007-000075	R649	R-CHIP	220ohm,5%,1/16W,DA,TP,1608
2007-000076	R608	R-CHIP	330ohm,5%,1/16W,DA,TP,1608
2007-000076	R665	R-CHIP	330ohm,5%,1/16W,DA,TP,1608
2007-000076	R666	R-CHIP	330ohm,5%,1/16W,DA,TP,1608
2007-000076	R669	R-CHIP	330ohm,5%,1/16W,DA,TP,1608
2007-000076	R671	R-CHIP	330ohm,5%,1/16W,DA,TP,1608
2007-000076	R672	R-CHIP	330ohm,5%,1/16W,DA,TP,1608
2007-000076	R673	R-CHIP	330ohm,5%,1/16W,DA,TP,1608
2007-000077	R015	R-CHIP	470ohm,5%,1/16W,DA,TP,1608
2007-000077	R016	R-CHIP	470ohm,5%,1/16W,DA,TP,1608
2007-000077	R017	R-CHIP	470ohm,5%,1/16W,DA,TP,1608
2007-000077	R606	R-CHIP	470ohm,5%,1/16W,DA,TP,1608
2007-000078	R115	R-CHIP	1Kohm,5%,1/16W,DA,TP,1608
2007-000078	R127	R-CHIP	1Kohm,5%,1/16W,DA,TP,1608
2007-000078	R128	R-CHIP	1Kohm,5%,1/16W,DA,TP,1608
2007-000078	R129	R-CHIP	1Kohm,5%,1/16W,DA,TP,1608
2007-000078	R437	R-CHIP	1Kohm,5%,1/16W,DA,TP,1608
2007-000078	R516	R-CHIP	1Kohm,5%,1/16W,DA,TP,1608
2007-000078	R517	R-CHIP	1Kohm,5%,1/16W,DA,TP,1608
2007-000078	R6227	R-CHIP	1Kohm,5%,1/16W,DA,TP,1608
2007-000078	R623	R-CHIP	1Kohm,5%,1/16W,DA,TP,1608
2007-000078	R636	R-CHIP	1Kohm,5%,1/16W,DA,TP,1608
2007-000082	R356	R-CHIP	3.3Kohm,5%,1/16W,DA,TP,1608
2007-000084	R028	R-CHIP	4.7Kohm,5%,1/16W,DA,TP,1608
2007-000084	R038	R-CHIP	4.7Kohm,5%,1/16W,DA,TP,1608
2007-000084	R064	R-CHIP	4.7Kohm,5%,1/16W,DA,TP,1608
2007-000084	R065	R-CHIP	4.7Kohm,5%,1/16W,DA,TP,1608
2007-000084	R213	R-CHIP	4.7Kohm,5%,1/16W,DA,TP,1608
2007-000084	R221	R-CHIP	4.7Kohm,5%,1/16W,DA,TP,1608
2007-000084	R225	R-CHIP	4.7Kohm,5%,1/16W,DA,TP,1608
2007-000084	R239	R-CHIP	4.7Kohm,5%,1/16W,DA,TP,1608
2007-000084	R243	R-CHIP	4.7Kohm,5%,1/16W,DA,TP,1608
2007-000084	R302	R-CHIP	4.7Kohm,5%,1/16W,DA,TP,1608
2007-000084	R501	R-CHIP	4.7Kohm,5%,1/16W,DA,TP,1608
2007-000084	R502	R-CHIP	4.7Kohm,5%,1/16W,DA,TP,1608
2007-000084	R527	R-CHIP	4.7Kohm,5%,1/16W,DA,TP,1608
2007-000084	R604	R-CHIP	4.7Kohm,5%,1/16W,DA,TP,1608
2007-000084	R617	R-CHIP	4.7Kohm,5%,1/16W,DA,TP,1608
2007-000084	R621	R-CHIP	4.7Kohm,5%,1/16W,DA,TP,1608
2007-000084	R622	R-CHIP	4.7Kohm,5%,1/16W,DA,TP,1608
2007-000084	R6232	R-CHIP	4.7Kohm,5%,1/16W,DA,TP,1608
2007-000084	R631	R-CHIP	4.7Kohm,5%,1/16W,DA,TP,1608
2007-000084	R646	R-CHIP	4.7Kohm,5%,1/16W,DA,TP,1608
2007-000084	R648	R-CHIP	4.7Kohm,5%,1/16W,DA,TP,1608
2007-000084	R811	R-CHIP	4.7Kohm,5%,1/16W,DA,TP,1608
2007-000084	R821	R-CHIP	4.7Kohm,5%,1/16W,DA,TP,1608
2007-000084	R822	R-CHIP	4.7Kohm,5%,1/16W,DA,TP,1608
2007-000084	R841	R-CHIP	4.7Kohm,5%,1/16W,DA,TP,1608
2007-000084	R842	R-CHIP	4.7Kohm,5%,1/16W,DA,TP,1608
2007-000086	R114	R-CHIP	5.6Kohm,5%,1/16W,DA,TP,1608
2007-000090	R006	R-CHIP	10KOHM,5%,1/16W,DA,TP,1608
2007-000090	R061	R-CHIP	10KOHM,5%,1/16W,DA,TP,1608
2007-000090	R107	R-CHIP	10KOHM,5%,1/16W,DA,TP,1608
2007-000090	R116	R-CHIP	10KOHM,5%,1/16W,DA,TP,1608
2007-000090	R241	R-CHIP	10KOHM,5%,1/16W,DA,TP,1608
2007-000090	R248	R-CHIP	10KOHM,5%,1/16W,DA,TP,1608
2007-000090	R301	R-CHIP	10KOHM,5%,1/16W,DA,TP,1608
2007-000090	R327	R-CHIP	10KOHM,5%,1/16W,DA,TP,1608

2007-000090	R357	R-CHIP	10KOHM,5%,1/16W,DA,TP,1608
2007-000090	R358	R-CHIP	10KOHM,5%,1/16W,DA,TP,1608
2007-000090	R601	R-CHIP	10KOHM,5%,1/16W,DA,TP,1608
2007-000090	R607	R-CHIP	10KOHM,5%,1/16W,DA,TP,1608
2007-000090	R609	R-CHIP	10KOHM,5%,1/16W,DA,TP,1608
2007-000090	R653	R-CHIP	10KOHM,5%,1/16W,DA,TP,1608
2007-000090	R654	R-CHIP	10KOHM,5%,1/16W,DA,TP,1608
2007-000090	R655	R-CHIP	10KOHM,5%,1/16W,DA,TP,1608
2007-000090	R656	R-CHIP	10KOHM,5%,1/16W,DA,TP,1608
2007-000090	R657	R-CHIP	10KOHM,5%,1/16W,DA,TP,1608
2007-000090	R658	R-CHIP	10KOHM,5%,1/16W,DA,TP,1608
2007-000090	R659	R-CHIP	10KOHM,5%,1/16W,DA,TP,1608
2007-000090	R661	R-CHIP	10KOHM,5%,1/16W,DA,TP,1608
2007-000090	R668	R-CHIP	10KOHM,5%,1/16W,DA,TP,1608
2007-000090	R674	R-CHIP	10KOHM,5%,1/16W,DA,TP,1608
2007-000090	R675	R-CHIP	10KOHM,5%,1/16W,DA,TP,1608
2007-000090	R676	R-CHIP	10KOHM,5%,1/16W,DA,TP,1608
2007-000090	R677	R-CHIP	10KOHM,5%,1/16W,DA,TP,1608
2007-000090	R678	R-CHIP	10KOHM,5%,1/16W,DA,TP,1608
2007-000090	R679	R-CHIP	10KOHM,5%,1/16W,DA,TP,1608
2007-000090	R681	R-CHIP	10KOHM,5%,1/16W,DA,TP,1608
2007-000090	R682	R-CHIP	10KOHM,5%,1/16W,DA,TP,1608
2007-000090	R684	R-CHIP	10KOHM,5%,1/16W,DA,TP,1608
2007-000090	R823	R-CHIP	10KOHM,5%,1/16W,DA,TP,1608
2007-000090	R824	R-CHIP	10KOHM,5%,1/16W,DA,TP,1608
2007-000090	R873	R-CHIP	10KOHM,5%,1/16W,DA,TP,1608
2007-000091	R101	R-CHIP	12Kohm,5%,1/16W,DA,TP,1608
2007-000092	R6233	R-CHIP	15Kohm,5%,1/16W,DA,TP,1608
2007-000092	R6234	R-CHIP	15Kohm,5%,1/16W,DA,TP,1608
2007-000094	R103	R-CHIP	22Kohm,5%,1/16W,DA,TP,1608
2007-000094	R605	R-CHIP	22Kohm,5%,1/16W,DA,TP,1608
2007-000097	R199	R-CHIP	47Kohm,5%,1/16W,DA,TP,1608
2007-000097	R603	R-CHIP	47Kohm,5%,1/16W,DA,TP,1608
2007-000098	R602	R-CHIP	56Kohm,5%,1/16W,DA,TP,1608
2007-000102	R553	R-CHIP	100Kohm,5%,1/16W,DA,TP,1608
2007-000102	R554	R-CHIP	100Kohm,5%,1/16W,DA,TP,1608
2007-000102	R874	R-CHIP	100Kohm,5%,1/16W,DA,TP,1608
2007-000102	R875	R-CHIP	100Kohm,5%,1/16W,DA,TP,1608
2007-000109	R305	R-CHIP	1Mohm,5%,1/16W,DA,TP,1608
2007-000109	R309	R-CHIP	1Mohm,5%,1/16W,DA,TP,1608
2007-000109	R317	R-CHIP	1Mohm,5%,1/16W,DA,TP,1608
2007-000113	R121	R-CHIP	33ohm,5%,1/16W,DA,TP,1608
2007-000113	R122	R-CHIP	33ohm,5%,1/16W,DA,TP,1608
2007-000113	R123	R-CHIP	33ohm,5%,1/16W,DA,TP,1608
2007-000113	R124	R-CHIP	33ohm,5%,1/16W,DA,TP,1608
2007-000113	R125	R-CHIP	33ohm,5%,1/16W,DA,TP,1608
2007-000113	R126	R-CHIP	33ohm,5%,1/16W,DA,TP,1608
2007-000113	R202	R-CHIP	33ohm,5%,1/16W,DA,TP,1608
2007-000113	R203	R-CHIP	33ohm,5%,1/16W,DA,TP,1608
2007-000113	R204	R-CHIP	33ohm,5%,1/16W,DA,TP,1608
2007-000113	R205	R-CHIP	33ohm,5%,1/16W,DA,TP,1608
2007-000113	R206	R-CHIP	33ohm,5%,1/16W,DA,TP,1608
2007-000113	R207	R-CHIP	33ohm,5%,1/16W,DA,TP,1608
2007-000113	R6231	R-CHIP	33ohm,5%,1/16W,DA,TP,1608
2007-000116	R238	R-CHIP	120ohm,5%,1/16W,DA,TP,1608
2007-000116	R908	R-CHIP	120ohm,5%,1/16W,DA,TP,1608
2007-000118	R231	R-CHIP	390ohm,5%,1/16W,DA,TP,1608
2007-000120	R645	R-CHIP	680ohm,5%,1/16W,DA,TP,1608
2007-000134	R511	R-CHIP	33Kohm,5%,1/16W,DA,TP,1608

2007-000134	R539	R-CHIP	33Kohm, 5%, 1/16W, DA, TP, 1608
2007-000219	R890	R-CHIP	1.2Kohm, 1%, 1/16W, DA, TP, 1608
2007-000219	R894	R-CHIP	1.2Kohm, 1%, 1/16W, DA, TP, 1608
2007-000239	R244	R-CHIP	1.5Kohm, 1%, 1/16W, DA, TP, 1608
2007-000239	R612	R-CHIP	1.5Kohm, 1%, 1/16W, DA, TP, 1608
2007-000239	R613	R-CHIP	1.5Kohm, 1%, 1/16W, DA, TP, 1608
2007-000309	R027	R-CHIP	10ohm, 5%, 1/16W, DA, TP, 1608
2007-000309	R062	R-CHIP	10ohm, 5%, 1/16W, DA, TP, 1608
2007-000309	R063	R-CHIP	10ohm, 5%, 1/16W, DA, TP, 1608
2007-000309	R214	R-CHIP	10ohm, 5%, 1/16W, DA, TP, 1608
2007-000309	R219	R-CHIP	10ohm, 5%, 1/16W, DA, TP, 1608
2007-000309	R224	R-CHIP	10ohm, 5%, 1/16W, DA, TP, 1608
2007-000309	R438	R-CHIP	10ohm, 5%, 1/16W, DA, TP, 1608
2007-000309	R441	R-CHIP	10ohm, 5%, 1/16W, DA, TP, 1608
2007-000309	R635	R-CHIP	10ohm, 5%, 1/16W, DA, TP, 1608
2007-000309	R692	R-CHIP	10ohm, 5%, 1/16W, DA, TP, 1608
2007-000309	R693	R-CHIP	10ohm, 5%, 1/16W, DA, TP, 1608
2007-000309	RJ15	R-CHIP	10ohm, 5%, 1/16W, DA, TP, 1608
2007-000309	RJ16	R-CHIP	10ohm, 5%, 1/16W, DA, TP, 1608
2007-000309	RJ17	R-CHIP	10ohm, 5%, 1/16W, DA, TP, 1608
2007-000309	RJ18	R-CHIP	10ohm, 5%, 1/16W, DA, TP, 1608
2007-000309	RJ19	R-CHIP	10ohm, 5%, 1/16W, DA, TP, 1608
2007-000512	R109	R-CHIP	2.4Kohm, 5%, 1/16W, DA, TP, 1608
2007-000616	R318	R-CHIP	24Kohm, 5%, 1/16W, DA, TP, 1608
2007-000669	R895	R-CHIP	2Kohm, 1%, 1/16W, DA, TP, 1608
2007-000701	R891	R-CHIP	3.6Kohm, 1%, 1/16W, DA, TP, 1608
2007-001010	R312	R-CHIP	51Kohm, 5%, 1/16W, DA, TP, 1608
2007-001164	R314	R-CHIP	75ohm, 1%, 1/16W, DA, TP, 1608
2007-001164	R315	R-CHIP	75ohm, 1%, 1/16W, DA, TP, 1608
2007-001164	R316	R-CHIP	75ohm, 1%, 1/16W, DA, TP, 1608
2007-001164	R321	R-CHIP	75ohm, 1%, 1/16W, DA, TP, 1608
2007-001164	R325	R-CHIP	75ohm, 1%, 1/16W, DA, TP, 1608
2007-001164	R326	R-CHIP	75ohm, 1%, 1/16W, DA, TP, 1608
2007-001167	R007	R-CHIP	75ohm, 5%, 1/16W, DA, TP, 1608
2007-001167	R008	R-CHIP	75ohm, 5%, 1/16W, DA, TP, 1608
2007-001167	R009	R-CHIP	75ohm, 5%, 1/16W, DA, TP, 1608
2007-001167	R024	R-CHIP	75ohm, 5%, 1/16W, DA, TP, 1608
2007-001167	R067	R-CHIP	75ohm, 5%, 1/16W, DA, TP, 1608
2007-001167	R236	R-CHIP	75ohm, 5%, 1/16W, DA, TP, 1608
2007-001167	R619	R-CHIP	75ohm, 5%, 1/16W, DA, TP, 1608
2007-001175	R505	R-CHIP	8.2Kohm, 1%, 1/16W, DA, TP, 1608
2007-001175	R506	R-CHIP	8.2Kohm, 1%, 1/16W, DA, TP, 1608
2007-002425	R6235	R-CHIP	10HM, 5%, 1/16W, DA, TP, 1608
2007-002425	R6236	R-CHIP	10HM, 5%, 1/16W, DA, TP, 1608
2007-002425	R6237	R-CHIP	10HM, 5%, 1/16W, DA, TP, 1608
2007-008433	R892	R-CHIP	0.330HM, 1%, 1W, DA, TP, 6432
2007-008433	R893	R-CHIP	0.330HM, 1%, 1W, DA, TP, 6432
2011-000002	IC002	R-NETWORK	22ohm, 5%, 63mW, L, CHIP, 8P, TP
2011-000002	IC003	R-NETWORK	22ohm, 5%, 63mW, L, CHIP, 8P, TP
2011-000002	IC004	R-NETWORK	22ohm, 5%, 63mW, L, CHIP, 8P, TP
2011-000002	IC005	R-NETWORK	22ohm, 5%, 63mW, L, CHIP, 8P, TP
2011-000002	IC006	R-NETWORK	22ohm, 5%, 63mW, L, CHIP, 8P, TP
2011-000002	IC007	R-NETWORK	22ohm, 5%, 63mW, L, CHIP, 8P, TP
2011-000002	IC008	R-NETWORK	22ohm, 5%, 63mW, L, CHIP, 8P, TP
2011-000002	IC009	R-NETWORK	22ohm, 5%, 63mW, L, CHIP, 8P, TP
2011-000002	RA301	R-NETWORK	22ohm, 5%, 63mW, L, CHIP, 8P, TP
2011-000002	RA302	R-NETWORK	22ohm, 5%, 63mW, L, CHIP, 8P, TP
2011-000002	RA303	R-NETWORK	22ohm, 5%, 63mW, L, CHIP, 8P, TP
2011-000002	RA304	R-NETWORK	22ohm, 5%, 63mW, L, CHIP, 8P, TP

2011-000002	RA305	R-NETWORK	22ohm,5%,63mW,L,CHIP,8P,TP
2011-000002	RA306	R-NETWORK	22ohm,5%,63mW,L,CHIP,8P,TP
2011-000002	RA351	R-NETWORK	22ohm,5%,63mW,L,CHIP,8P,TP
2011-000002	RA352	R-NETWORK	22ohm,5%,63mW,L,CHIP,8P,TP
2011-000002	RA353	R-NETWORK	22ohm,5%,63mW,L,CHIP,8P,TP
2011-000002	RA354	R-NETWORK	22ohm,5%,63mW,L,CHIP,8P,TP
2011-000002	RA355	R-NETWORK	22ohm,5%,63mW,L,CHIP,8P,TP
2011-000002	RA356	R-NETWORK	22ohm,5%,63mW,L,CHIP,8P,TP
2011-000515	IC641	R-NETWORK	4.7Kohm,5%,1/16W,L,CHIP,8P,TP
2011-000515	IC642	R-NETWORK	4.7Kohm,5%,1/16W,L,CHIP,8P,TP
2011-000651	IC621	R-NETWORK	10ohm,5%,63mW,L,CHIP,8P,TP
2011-000651	IC622	R-NETWORK	10ohm,5%,63mW,L,CHIP,8P,TP
2011-000651	IC623	R-NETWORK	10ohm,5%,63mW,L,CHIP,8P,TP
2011-000651	IC624	R-NETWORK	10ohm,5%,63mW,L,CHIP,8P,TP
2011-000651	IC625	R-NETWORK	10ohm,5%,63mW,L,CHIP,8P,TP
2011-000651	IC626	R-NETWORK	10ohm,5%,63mW,L,CHIP,8P,TP
2011-000651	IC627	R-NETWORK	10ohm,5%,63mW,L,CHIP,8P,TP
2011-000651	IC628	R-NETWORK	10ohm,5%,63mW,L,CHIP,8P,TP
2011-000651	IC629	R-NETWORK	10ohm,5%,63mW,L,CHIP,8P,TP
2203-000140	C004	C-CERAMIC,CHIP	1.5nF,10%,50V,X7R,TP,1608,-
2203-000140	C008	C-CERAMIC,CHIP	1.5nF,10%,50V,X7R,TP,1608,-
2203-000140	C016	C-CERAMIC,CHIP	1.5nF,10%,50V,X7R,TP,1608,-
2203-000140	C019	C-CERAMIC,CHIP	1.5nF,10%,50V,X7R,TP,1608,-
2203-000140	C038	C-CERAMIC,CHIP	1.5nF,10%,50V,X7R,TP,1608,-
2203-000140	C538	C-CERAMIC,CHIP	1.5nF,10%,50V,X7R,TP,1608,-
2203-000140	C574	C-CERAMIC,CHIP	1.5nF,10%,50V,X7R,TP,1608,-
2203-000189	C112	C-CERAMIC,CHIP	100nF,+80-20%,25V,Y5V,TP,1608,
2203-000189	C2036	C-CERAMIC,CHIP	100nF,+80-20%,25V,Y5V,TP,1608,
2203-000189	C2037	C-CERAMIC,CHIP	100nF,+80-20%,25V,Y5V,TP,1608,
2203-000189	C2047	C-CERAMIC,CHIP	100nF,+80-20%,25V,Y5V,TP,1608,
2203-000189	C2048	C-CERAMIC,CHIP	100nF,+80-20%,25V,Y5V,TP,1608,
2203-000189	C2049	C-CERAMIC,CHIP	100nF,+80-20%,25V,Y5V,TP,1608,
2203-000189	C2050	C-CERAMIC,CHIP	100nF,+80-20%,25V,Y5V,TP,1608,
2203-000189	C2051	C-CERAMIC,CHIP	100nF,+80-20%,25V,Y5V,TP,1608,
2203-000189	C338	C-CERAMIC,CHIP	100nF,+80-20%,25V,Y5V,TP,1608,
2203-000189	C559	C-CERAMIC,CHIP	100nF,+80-20%,25V,Y5V,TP,1608,
2203-000189	C565	C-CERAMIC,CHIP	100nF,+80-20%,25V,Y5V,TP,1608,
2203-000189	C620	C-CERAMIC,CHIP	100nF,+80-20%,25V,Y5V,TP,1608,
2203-000189	C624	C-CERAMIC,CHIP	100nF,+80-20%,25V,Y5V,TP,1608,
2203-000189	C821	C-CERAMIC,CHIP	100nF,+80-20%,25V,Y5V,TP,1608,
2203-000189	C844	C-CERAMIC,CHIP	100nF,+80-20%,25V,Y5V,TP,1608,
2203-000189	C846	C-CERAMIC,CHIP	100nF,+80-20%,25V,Y5V,TP,1608,
2203-000189	C852	C-CERAMIC,CHIP	100nF,+80-20%,25V,Y5V,TP,1608,
2203-000189	C853	C-CERAMIC,CHIP	100nF,+80-20%,25V,Y5V,TP,1608,
2203-000189	C856	C-CERAMIC,CHIP	100nF,+80-20%,25V,Y5V,TP,1608,
2203-000189	C858	C-CERAMIC,CHIP	100nF,+80-20%,25V,Y5V,TP,1608,
2203-000189	C862	C-CERAMIC,CHIP	100nF,+80-20%,25V,Y5V,TP,1608,
2203-000189	C864	C-CERAMIC,CHIP	100nF,+80-20%,25V,Y5V,TP,1608,
2203-000189	C868	C-CERAMIC,CHIP	100nF,+80-20%,25V,Y5V,TP,1608,
2203-000189	C871	C-CERAMIC,CHIP	100nF,+80-20%,25V,Y5V,TP,1608,
2203-000189	C872	C-CERAMIC,CHIP	100nF,+80-20%,25V,Y5V,TP,1608,
2203-000189	C881	C-CERAMIC,CHIP	100nF,+80-20%,25V,Y5V,TP,1608,
2203-000189	C882	C-CERAMIC,CHIP	100nF,+80-20%,25V,Y5V,TP,1608,
2203-000189	C883	C-CERAMIC,CHIP	100nF,+80-20%,25V,Y5V,TP,1608,
2203-000189	C893	C-CERAMIC,CHIP	100nF,+80-20%,25V,Y5V,TP,1608,
2203-000189	C908	C-CERAMIC,CHIP	100nF,+80-20%,25V,Y5V,TP,1608,
2203-000189	C909	C-CERAMIC,CHIP	100nF,+80-20%,25V,Y5V,TP,1608,
2203-000189	C912	C-CERAMIC,CHIP	100nF,+80-20%,25V,Y5V,TP,1608,
2203-000189	U123	C-CERAMIC,CHIP	100nF,+80-20%,25V,Y5V,TP,1608,

2203-000440	C301	C-CERAMIC,CHIP	1nF,10%,50V,X7R,TP,1608,-
2203-000440	C536	C-CERAMIC,CHIP	1nF,10%,50V,X7R,TP,1608,-
2203-000440	C537	C-CERAMIC,CHIP	1nF,10%,50V,X7R,TP,1608,-
2203-000440	C885	C-CERAMIC,CHIP	1nF,10%,50V,X7R,TP,1608,-
2203-000440	C901	C-CERAMIC,CHIP	1nF,10%,50V,X7R,TP,1608,-
2203-000440	C902	C-CERAMIC,CHIP	1nF,10%,50V,X7R,TP,1608,-
2203-000440	C905	C-CERAMIC,CHIP	1nF,10%,50V,X7R,TP,1608,-
2203-000455	C058	C-CERAMIC,CHIP	1nF,5%,50V,NPO,TP,2012
2203-000552	C225	C-CERAMIC,CHIP	0.02nF,5%,50V,NPO,TP,1608
2203-000552	C226	C-CERAMIC,CHIP	0.02nF,5%,50V,NPO,TP,1608
2203-000552	C614	C-CERAMIC,CHIP	0.02nF,5%,50V,NPO,TP,1608
2203-000552	C615	C-CERAMIC,CHIP	0.02nF,5%,50V,NPO,TP,1608
2203-000626	C922	C-CERAMIC,CHIP	0.022nF,5%,50V,NPO,TP,1608
2203-000626	C923	C-CERAMIC,CHIP	0.022nF,5%,50V,NPO,TP,1608
2203-000626	C924	C-CERAMIC,CHIP	0.022nF,5%,50V,NPO,TP,1608
2203-000726	C381	C-CERAMIC,CHIP	3.9nF,10%,50V,X7R,TP,1608,-
2203-000815	C244	C-CERAMIC,CHIP	0.033nF,5%,50V,NPO,TP,1608
2203-000815	C290	C-CERAMIC,CHIP	0.033nF,5%,50V,NPO,TP,1608
2203-000815	C291	C-CERAMIC,CHIP	0.033nF,5%,50V,NPO,TP,1608
2203-000815	C292	C-CERAMIC,CHIP	0.033nF,5%,50V,NPO,TP,1608
2203-000815	C293	C-CERAMIC,CHIP	0.033nF,5%,50V,NPO,TP,1608
2203-000815	C294	C-CERAMIC,CHIP	0.033nF,5%,50V,NPO,TP,1608
2203-000815	C295	C-CERAMIC,CHIP	0.033nF,5%,50V,NPO,TP,1608
2203-000815	C296	C-CERAMIC,CHIP	0.033nF,5%,50V,NPO,TP,1608
2203-000815	C297	C-CERAMIC,CHIP	0.033nF,5%,50V,NPO,TP,1608
2203-000815	C298	C-CERAMIC,CHIP	0.033nF,5%,50V,NPO,TP,1608
2203-000815	C299	C-CERAMIC,CHIP	0.033nF,5%,50V,NPO,TP,1608
2203-000815	C304	C-CERAMIC,CHIP	0.033nF,5%,50V,NPO,TP,1608
2203-000815	C308	C-CERAMIC,CHIP	0.033nF,5%,50V,NPO,TP,1608
2203-000815	C309	C-CERAMIC,CHIP	0.033nF,5%,50V,NPO,TP,1608
2203-000815	C310	C-CERAMIC,CHIP	0.033nF,5%,50V,NPO,TP,1608
2203-000815	C366	C-CERAMIC,CHIP	0.033nF,5%,50V,NPO,TP,1608
2203-000815	C368	C-CERAMIC,CHIP	0.033nF,5%,50V,NPO,TP,1608
2203-000815	C371	C-CERAMIC,CHIP	0.033nF,5%,50V,NPO,TP,1608
2203-000815	C373	C-CERAMIC,CHIP	0.033nF,5%,50V,NPO,TP,1608
2203-000815	C375	C-CERAMIC,CHIP	0.033nF,5%,50V,NPO,TP,1608
2203-000815	C376	C-CERAMIC,CHIP	0.033nF,5%,50V,NPO,TP,1608
2203-000815	C3A1	C-CERAMIC,CHIP	0.033nF,5%,50V,NPO,TP,1608
2203-000815	C3A2	C-CERAMIC,CHIP	0.033nF,5%,50V,NPO,TP,1608
2203-000815	C3A3	C-CERAMIC,CHIP	0.033nF,5%,50V,NPO,TP,1608
2203-000815	C3A4	C-CERAMIC,CHIP	0.033nF,5%,50V,NPO,TP,1608
2203-000815	C3A5	C-CERAMIC,CHIP	0.033nF,5%,50V,NPO,TP,1608
2203-000815	C3A6	C-CERAMIC,CHIP	0.033nF,5%,50V,NPO,TP,1608
2203-000815	C3A7	C-CERAMIC,CHIP	0.033nF,5%,50V,NPO,TP,1608
2203-000815	C3A8	C-CERAMIC,CHIP	0.033nF,5%,50V,NPO,TP,1608
2203-000815	C3A9	C-CERAMIC,CHIP	0.033nF,5%,50V,NPO,TP,1608
2203-000815	C3AA	C-CERAMIC,CHIP	0.033nF,5%,50V,NPO,TP,1608
2203-000815	C3AB	C-CERAMIC,CHIP	0.033nF,5%,50V,NPO,TP,1608
2203-000815	C3AC	C-CERAMIC,CHIP	0.033nF,5%,50V,NPO,TP,1608
2203-000815	C3AD	C-CERAMIC,CHIP	0.033nF,5%,50V,NPO,TP,1608
2203-000839	C017	C-CERAMIC,CHIP	0.39nF,5%,50V,NPO,TP,2012
2203-000839	C024	C-CERAMIC,CHIP	0.39nF,5%,50V,NPO,TP,2012
2203-000839	C037	C-CERAMIC,CHIP	0.39nF,5%,50V,NPO,TP,2012
2203-000839	C313	C-CERAMIC,CHIP	0.39nF,5%,50V,NPO,TP,2012
2203-000903	C011	C-CERAMIC,CHIP	0.0047nF,0.25pF,50V,NPO,TP,1608
2203-000903	C012	C-CERAMIC,CHIP	0.0047nF,0.25pF,50V,NPO,TP,1608
2203-000972	C005	C-CERAMIC,CHIP	47nF,10%,16V,X7R,TP,1608
2203-000972	C007	C-CERAMIC,CHIP	47nF,10%,16V,X7R,TP,1608
2203-000972	C013	C-CERAMIC,CHIP	47nF,10%,16V,X7R,TP,1608

2203-000972	C021	C-CERAMIC,CHIP	47nF,10%,16V,X7R,TP,1608
2203-000972	C379	C-CERAMIC,CHIP	47nF,10%,16V,X7R,TP,1608
2203-000972	C576	C-CERAMIC,CHIP	47nF,10%,16V,X7R,TP,1608
2203-000998	C051	C-CERAMIC,CHIP	0.047nF,5%,50V,NPO,TP,1608
2203-000998	C052	C-CERAMIC,CHIP	0.047nF,5%,50V,NPO,TP,1608
2203-000998	C086	C-CERAMIC,CHIP	0.047nF,5%,50V,NPO,TP,1608
2203-000998	C087	C-CERAMIC,CHIP	0.047nF,5%,50V,NPO,TP,1608
2203-000998	C088	C-CERAMIC,CHIP	0.047nF,5%,50V,NPO,TP,1608
2203-000998	C089	C-CERAMIC,CHIP	0.047nF,5%,50V,NPO,TP,1608
2203-000998	C093	C-CERAMIC,CHIP	0.047nF,5%,50V,NPO,TP,1608
2203-000998	C273	C-CERAMIC,CHIP	0.047nF,5%,50V,NPO,TP,1608
2203-001077	C2038	C-CERAMIC,CHIP	0.056nF,5%,50V,NPO,TP,2012
2203-001077	C2039	C-CERAMIC,CHIP	0.056nF,5%,50V,NPO,TP,2012
2203-001077	C567	C-CERAMIC,CHIP	0.056nF,5%,50V,NPO,TP,2012
2203-001077	C568	C-CERAMIC,CHIP	0.056nF,5%,50V,NPO,TP,2012
2203-001077	C571	C-CERAMIC,CHIP	0.056nF,5%,50V,NPO,TP,2012
2203-001126	C892	C-CERAMIC,CHIP	0.68nF,10%,50V,X7R,TP,1608
2203-001140	C002	C-CERAMIC,CHIP	68nF,10%,16V,X7R,TP,1608,-
2203-001140	C003	C-CERAMIC,CHIP	68nF,10%,16V,X7R,TP,1608,-
2203-001140	C006	C-CERAMIC,CHIP	68nF,10%,16V,X7R,TP,1608,-
2203-001402	C015	C-CERAMIC,CHIP	220nF,+80-20%,16V,Y5V,TP,1608
2203-001402	C020	C-CERAMIC,CHIP	220nF,+80-20%,16V,Y5V,TP,1608
2203-001402	C031	C-CERAMIC,CHIP	220nF,+80-20%,16V,Y5V,TP,1608
2203-001402	C032	C-CERAMIC,CHIP	220nF,+80-20%,16V,Y5V,TP,1608
2203-001402	C033	C-CERAMIC,CHIP	220nF,+80-20%,16V,Y5V,TP,1608
2203-001402	C034	C-CERAMIC,CHIP	220nF,+80-20%,16V,Y5V,TP,1608
2203-001402	C035	C-CERAMIC,CHIP	220nF,+80-20%,16V,Y5V,TP,1608
2203-001402	C036	C-CERAMIC,CHIP	220nF,+80-20%,16V,Y5V,TP,1608
2203-001402	C039	C-CERAMIC,CHIP	220nF,+80-20%,16V,Y5V,TP,1608
2203-001402	C047	C-CERAMIC,CHIP	220nF,+80-20%,16V,Y5V,TP,1608
2203-001402	C049	C-CERAMIC,CHIP	220nF,+80-20%,16V,Y5V,TP,1608
2203-001402	C848	C-CERAMIC,CHIP	220nF,+80-20%,16V,Y5V,TP,1608
2203-001402	C849	C-CERAMIC,CHIP	220nF,+80-20%,16V,Y5V,TP,1608
2203-001630	C503	C-CERAMIC,CHIP	330nF,+80-20%,16V,Y5V,TP,1608
2203-001630	C506	C-CERAMIC,CHIP	330nF,+80-20%,16V,Y5V,TP,1608
2203-001630	C507	C-CERAMIC,CHIP	330nF,+80-20%,16V,Y5V,TP,1608
2203-001656	C2027	C-CERAMIC,CHIP	0.47nF,5%,50V,NPO,TP,1608
2203-001656	C543	C-CERAMIC,CHIP	0.47nF,5%,50V,NPO,TP,1608
2203-001656	C569	C-CERAMIC,CHIP	0.47nF,5%,50V,NPO,TP,1608
2203-005005	C010	C-CERAMIC,CHIP	100nF,10%,16V,X7R,TP,1608
2203-005005	C040	C-CERAMIC,CHIP	100nF,10%,16V,X7R,TP,1608
2203-005005	C2001	C-CERAMIC,CHIP	100nF,10%,16V,X7R,TP,1608
2203-005005	C2002	C-CERAMIC,CHIP	100nF,10%,16V,X7R,TP,1608
2203-005005	C2003	C-CERAMIC,CHIP	100nF,10%,16V,X7R,TP,1608
2203-005005	C2004	C-CERAMIC,CHIP	100nF,10%,16V,X7R,TP,1608
2203-005005	C2005	C-CERAMIC,CHIP	100nF,10%,16V,X7R,TP,1608
2203-005005	C2006	C-CERAMIC,CHIP	100nF,10%,16V,X7R,TP,1608
2203-005005	C2007	C-CERAMIC,CHIP	100nF,10%,16V,X7R,TP,1608
2203-005005	C2008	C-CERAMIC,CHIP	100nF,10%,16V,X7R,TP,1608
2203-005005	C2009	C-CERAMIC,CHIP	100nF,10%,16V,X7R,TP,1608
2203-005005	C2010	C-CERAMIC,CHIP	100nF,10%,16V,X7R,TP,1608
2203-005005	C2011	C-CERAMIC,CHIP	100nF,10%,16V,X7R,TP,1608
2203-005005	C2012	C-CERAMIC,CHIP	100nF,10%,16V,X7R,TP,1608
2203-005005	C2014	C-CERAMIC,CHIP	100nF,10%,16V,X7R,TP,1608
2203-005005	C2015	C-CERAMIC,CHIP	100nF,10%,16V,X7R,TP,1608
2203-005005	C2016	C-CERAMIC,CHIP	100nF,10%,16V,X7R,TP,1608
2203-005005	C2017	C-CERAMIC,CHIP	100nF,10%,16V,X7R,TP,1608
2203-005005	C2018	C-CERAMIC,CHIP	100nF,10%,16V,X7R,TP,1608
2203-005005	C2019	C-CERAMIC,CHIP	100nF,10%,16V,X7R,TP,1608

2203-005005	C374	C-CERAMIC,CHIP	100nF,10%,16V,X7R,TP,1608
2203-005005	C377	C-CERAMIC,CHIP	100nF,10%,16V,X7R,TP,1608
2203-005005	C378	C-CERAMIC,CHIP	100nF,10%,16V,X7R,TP,1608
2203-005005	C384	C-CERAMIC,CHIP	100nF,10%,16V,X7R,TP,1608
2203-005005	C385	C-CERAMIC,CHIP	100nF,10%,16V,X7R,TP,1608
2203-005005	C386	C-CERAMIC,CHIP	100nF,10%,16V,X7R,TP,1608
2203-005005	C387	C-CERAMIC,CHIP	100nF,10%,16V,X7R,TP,1608
2203-005005	C388	C-CERAMIC,CHIP	100nF,10%,16V,X7R,TP,1608
2203-005005	C389	C-CERAMIC,CHIP	100nF,10%,16V,X7R,TP,1608
2203-005005	C391	C-CERAMIC,CHIP	100nF,10%,16V,X7R,TP,1608
2203-005005	C393	C-CERAMIC,CHIP	100nF,10%,16V,X7R,TP,1608
2203-005005	C397	C-CERAMIC,CHIP	100nF,10%,16V,X7R,TP,1608
2203-005005	C398	C-CERAMIC,CHIP	100nF,10%,16V,X7R,TP,1608
2203-005005	C549	C-CERAMIC,CHIP	100nF,10%,16V,X7R,TP,1608
2203-005005	C551	C-CERAMIC,CHIP	100nF,10%,16V,X7R,TP,1608
2203-005005	C601	C-CERAMIC,CHIP	100nF,10%,16V,X7R,TP,1608
2203-005005	C602	C-CERAMIC,CHIP	100nF,10%,16V,X7R,TP,1608
2203-005005	C605	C-CERAMIC,CHIP	100nF,10%,16V,X7R,TP,1608
2203-005005	C606	C-CERAMIC,CHIP	100nF,10%,16V,X7R,TP,1608
2203-005005	C607	C-CERAMIC,CHIP	100nF,10%,16V,X7R,TP,1608
2203-005005	C609	C-CERAMIC,CHIP	100nF,10%,16V,X7R,TP,1608
2203-005005	C612	C-CERAMIC,CHIP	100nF,10%,16V,X7R,TP,1608
2203-005005	C613	C-CERAMIC,CHIP	100nF,10%,16V,X7R,TP,1608
2203-005005	C619	C-CERAMIC,CHIP	100nF,10%,16V,X7R,TP,1608
2203-005005	C625	C-CERAMIC,CHIP	100nF,10%,16V,X7R,TP,1608
2203-005005	C626	C-CERAMIC,CHIP	100nF,10%,16V,X7R,TP,1608
2203-005005	C627	C-CERAMIC,CHIP	100nF,10%,16V,X7R,TP,1608
2203-005005	C630	C-CERAMIC,CHIP	100nF,10%,16V,X7R,TP,1608
2203-005005	C631	C-CERAMIC,CHIP	100nF,10%,16V,X7R,TP,1608
2203-005005	C824	C-CERAMIC,CHIP	100nF,10%,16V,X7R,TP,1608
2203-005005	C873	C-CERAMIC,CHIP	100nF,10%,16V,X7R,TP,1608
2203-005005	C874	C-CERAMIC,CHIP	100nF,10%,16V,X7R,TP,1608
2203-005005	C875	C-CERAMIC,CHIP	100nF,10%,16V,X7R,TP,1608
2203-005005	C884	C-CERAMIC,CHIP	100nF,10%,16V,X7R,TP,1608
2203-005005	C886	C-CERAMIC,CHIP	100nF,10%,16V,X7R,TP,1608
2203-005005	U124	C-CERAMIC,CHIP	100nF,10%,16V,X7R,TP,1608
2203-005005	U125	C-CERAMIC,CHIP	100nF,10%,16V,X7R,TP,1608
2203-005005	U126	C-CERAMIC,CHIP	100nF,10%,16V,X7R,TP,1608
2203-005065	C249	C-CERAMIC,CHIP	1000nF,+80-20%,10V,Y5V,TP,1608
2203-005065	C261	C-CERAMIC,CHIP	1000nF,+80-20%,10V,Y5V,TP,1608
2203-005065	C264	C-CERAMIC,CHIP	1000nF,+80-20%,10V,Y5V,TP,1608
2203-006017	C221	C-CERAMIC,CHIP	0.56NF,5%,50V,C0G,TP,1608
2203-006017	C224	C-CERAMIC,CHIP	0.56NF,5%,50V,C0G,TP,1608
2203-006036	C018	C-CERAMIC,CHIP	680NF,+80-20%,16V,Y5V,TP,1608
2203-006036	C067	C-CERAMIC,CHIP	680NF,+80-20%,16V,Y5V,TP,1608
2203-006036	C068	C-CERAMIC,CHIP	680NF,+80-20%,16V,Y5V,TP,1608
2402-000108	C552	C-AL,SMD	10uF,20%,16V,WT,TP,4.3x4.3x5.4
2402-000108	C561	C-AL,SMD	10uF,20%,16V,WT,TP,4.3x4.3x5.4
2402-000135	C092	C-AL,SMD	22uF,20%,16V,GP,TP,5.3x5.3x5.4
2402-000135	C2000	C-AL,SMD	22uF,20%,16V,GP,TP,5.3x5.3x5.4
2402-000135	C2013	C-AL,SMD	22uF,20%,16V,GP,TP,5.3x5.3x5.4
2402-000135	C218	C-AL,SMD	22uF,20%,16V,GP,TP,5.3x5.3x5.4
2402-000135	C223	C-AL,SMD	22uF,20%,16V,GP,TP,5.3x5.3x5.4
2402-000135	C231	C-AL,SMD	22uF,20%,16V,GP,TP,5.3x5.3x5.4
2402-000135	C236	C-AL,SMD	22uF,20%,16V,GP,TP,5.3x5.3x5.4
2402-000135	C250	C-AL,SMD	22uF,20%,16V,GP,TP,5.3x5.3x5.4
2402-000135	C251	C-AL,SMD	22uF,20%,16V,GP,TP,5.3x5.3x5.4
2402-000135	C252	C-AL,SMD	22uF,20%,16V,GP,TP,5.3x5.3x5.4
2402-000135	C254	C-AL,SMD	22uF,20%,16V,GP,TP,5.3x5.3x5.4

2402-000135	C258	C-AL, SMD	22uF, 20%, 16V, GP, TP, 5. 3x5. 3x5. 4
2402-000135	C269	C-AL, SMD	22uF, 20%, 16V, GP, TP, 5. 3x5. 3x5. 4
2402-000135	C284	C-AL, SMD	22uF, 20%, 16V, GP, TP, 5. 3x5. 3x5. 4
2402-000135	C320	C-AL, SMD	22uF, 20%, 16V, GP, TP, 5. 3x5. 3x5. 4
2402-000135	C339	C-AL, SMD	22uF, 20%, 16V, GP, TP, 5. 3x5. 3x5. 4
2402-000135	C382	C-AL, SMD	22uF, 20%, 16V, GP, TP, 5. 3x5. 3x5. 4
2402-000135	C591	C-AL, SMD	22uF, 20%, 16V, GP, TP, 5. 3x5. 3x5. 4
2402-000135	C592	C-AL, SMD	22uF, 20%, 16V, GP, TP, 5. 3x5. 3x5. 4
2402-000170	C509	C-AL, SMD	1uF, 20%, 50V, GP, TP, 4. 3x4. 3x5. 4,
2402-000170	C828	C-AL, SMD	1uF, 20%, 50V, GP, TP, 4. 3x4. 3x5. 4,
2402-000170	C870	C-AL, SMD	1uF, 20%, 50V, GP, TP, 4. 3x4. 3x5. 4,
2402-000173	C343	C-AL, SMD	4. 7uF, 20%, 35V, GP, TP, 4. 3x4. 3x5.
2402-000173	C351	C-AL, SMD	4. 7uF, 20%, 35V, GP, TP, 4. 3x4. 3x5.
2402-000173	C358	C-AL, SMD	4. 7uF, 20%, 35V, GP, TP, 4. 3x4. 3x5.
2402-000173	C553	C-AL, SMD	4. 7uF, 20%, 35V, GP, TP, 4. 3x4. 3x5.
2402-000173	C554	C-AL, SMD	4. 7uF, 20%, 35V, GP, TP, 4. 3x4. 3x5.
2402-000173	C555	C-AL, SMD	4. 7uF, 20%, 35V, GP, TP, 4. 3x4. 3x5.
2402-000173	C556	C-AL, SMD	4. 7uF, 20%, 35V, GP, TP, 4. 3x4. 3x5.
2402-000173	C557	C-AL, SMD	4. 7uF, 20%, 35V, GP, TP, 4. 3x4. 3x5.
2402-000173	C563	C-AL, SMD	4. 7uF, 20%, 35V, GP, TP, 4. 3x4. 3x5.
2402-000173	C564	C-AL, SMD	4. 7uF, 20%, 35V, GP, TP, 4. 3x4. 3x5.
2402-000176	C009	C-AL, SMD	10uF, 20%, 16V, GP, TP, 4. 3x4. 3x5. 4
2402-000176	C014	C-AL, SMD	10uF, 20%, 16V, GP, TP, 4. 3x4. 3x5. 4
2402-000176	C022	C-AL, SMD	10uF, 20%, 16V, GP, TP, 4. 3x4. 3x5. 4
2402-000176	C042	C-AL, SMD	10uF, 20%, 16V, GP, TP, 4. 3x4. 3x5. 4
2402-000176	C043	C-AL, SMD	10uF, 20%, 16V, GP, TP, 4. 3x4. 3x5. 4
2402-000176	C044	C-AL, SMD	10uF, 20%, 16V, GP, TP, 4. 3x4. 3x5. 4
2402-000176	C045	C-AL, SMD	10uF, 20%, 16V, GP, TP, 4. 3x4. 3x5. 4
2402-000176	C046	C-AL, SMD	10uF, 20%, 16V, GP, TP, 4. 3x4. 3x5. 4
2402-000176	C113	C-AL, SMD	10uF, 20%, 16V, GP, TP, 4. 3x4. 3x5. 4
2402-000176	C115	C-AL, SMD	10uF, 20%, 16V, GP, TP, 4. 3x4. 3x5. 4
2402-000176	C117	C-AL, SMD	10uF, 20%, 16V, GP, TP, 4. 3x4. 3x5. 4
2402-000176	C119	C-AL, SMD	10uF, 20%, 16V, GP, TP, 4. 3x4. 3x5. 4
2402-000176	C121	C-AL, SMD	10uF, 20%, 16V, GP, TP, 4. 3x4. 3x5. 4
2402-000176	C123	C-AL, SMD	10uF, 20%, 16V, GP, TP, 4. 3x4. 3x5. 4
2402-000176	C125	C-AL, SMD	10uF, 20%, 16V, GP, TP, 4. 3x4. 3x5. 4
2402-000176	C241	C-AL, SMD	10uF, 20%, 16V, GP, TP, 4. 3x4. 3x5. 4
2402-000176	C502	C-AL, SMD	10uF, 20%, 16V, GP, TP, 4. 3x4. 3x5. 4
2402-000176	C545	C-AL, SMD	10uF, 20%, 16V, GP, TP, 4. 3x4. 3x5. 4
2402-000176	C546	C-AL, SMD	10uF, 20%, 16V, GP, TP, 4. 3x4. 3x5. 4
2402-000176	C566	C-AL, SMD	10uF, 20%, 16V, GP, TP, 4. 3x4. 3x5. 4
2402-000176	C628	C-AL, SMD	10uF, 20%, 16V, GP, TP, 4. 3x4. 3x5. 4
2402-000179	C001	C-AL, SMD	47uF, 20%, 16V, GP, TP, 6. 6x6. 6x5. 4
2402-000179	C066	C-AL, SMD	47uF, 20%, 16V, GP, TP, 6. 6x6. 6x5. 4
2402-000179	C200	C-AL, SMD	47uF, 20%, 16V, GP, TP, 6. 6x6. 6x5. 4
2402-000179	C289	C-AL, SMD	47uF, 20%, 16V, GP, TP, 6. 6x6. 6x5. 4
2402-000179	C311	C-AL, SMD	47uF, 20%, 16V, GP, TP, 6. 6x6. 6x5. 4
2402-000179	C577	C-AL, SMD	47uF, 20%, 16V, GP, TP, 6. 6x6. 6x5. 4
2402-000179	C603	C-AL, SMD	47uF, 20%, 16V, GP, TP, 6. 6x6. 6x5. 4
2402-000179	C611	C-AL, SMD	47uF, 20%, 16V, GP, TP, 6. 6x6. 6x5. 4
2402-001018	C504	C-AL, SMD	470nF, 20%, 50V, GP, TP, 4. 3x4. 3x5.
2402-001018	C505	C-AL, SMD	470nF, 20%, 50V, GP, TP, 4. 3x4. 3x5.
2402-001019	C616	C-AL, SMD	2. 2uF, 20%, 35V, GP, TP, 3. 3x3. 3x5.
2402-001042	C041	C-AL, SMD	100uF, 20%, 16V, GP, TP, 6. 6x6. 6x5. 4mm
2402-001042	C2026	C-AL, SMD	100uF, 20%, 16V, GP, TP, 6. 6x6. 6x5. 4mm
2402-001042	C247	C-AL, SMD	100uF, 20%, 16V, GP, TP, 6. 6x6. 6x5. 4mm
2402-001042	C281	C-AL, SMD	100uF, 20%, 16V, GP, TP, 6. 6x6. 6x5. 4mm
2402-001042	C336	C-AL, SMD	100uF, 20%, 16V, GP, TP, 6. 6x6. 6x5. 4mm
2402-001042	C392	C-AL, SMD	100uF, 20%, 16V, GP, TP, 6. 6x6. 6x5. 4mm

2402-001042	C406	C-AL, SMD	100uF, 20%, 16V, GP, TP, 6. 6x6. 6x5. 4mm
2402-001042	C510	C-AL, SMD	100uF, 20%, 16V, GP, TP, 6. 6x6. 6x5. 4mm
2402-001042	C511	C-AL, SMD	100uF, 20%, 16V, GP, TP, 6. 6x6. 6x5. 4mm
2402-001042	C535	C-AL, SMD	100uF, 20%, 16V, GP, TP, 6. 6x6. 6x5. 4mm
2402-001042	C575	C-AL, SMD	100uF, 20%, 16V, GP, TP, 6. 6x6. 6x5. 4mm
2402-001042	C604	C-AL, SMD	100uF, 20%, 16V, GP, TP, 6. 6x6. 6x5. 4mm
2402-001042	C621	C-AL, SMD	100uF, 20%, 16V, GP, TP, 6. 6x6. 6x5. 4mm
2402-001042	C822	C-AL, SMD	100uF, 20%, 16V, GP, TP, 6. 6x6. 6x5. 4mm
2402-001042	C861	C-AL, SMD	100uF, 20%, 16V, GP, TP, 6. 6x6. 6x5. 4mm
2402-001042	C889	C-AL, SMD	100uF, 20%, 16V, GP, TP, 6. 6x6. 6x5. 4mm
2402-001042	C891	C-AL, SMD	100uF, 20%, 16V, GP, TP, 6. 6x6. 6x5. 4mm
2402-001042	C903	C-AL, SMD	100uF, 20%, 16V, GP, TP, 6. 6x6. 6x5. 4mm
2402-001042	C904	C-AL, SMD	100uF, 20%, 16V, GP, TP, 6. 6x6. 6x5. 4mm
2402-001042	C906	C-AL, SMD	100uF, 20%, 16V, GP, TP, 6. 6x6. 6x5. 4mm
2402-001042	C907	C-AL, SMD	100uF, 20%, 16V, GP, TP, 6. 6x6. 6x5. 4mm
2402-001042	U140	C-AL, SMD	100uF, 20%, 16V, GP, TP, 6. 6x6. 6x5. 4mm
2402-001086	U137	C-AL, SMD	100UF, 20%, 16V, WT, TP, 6. 6X6. 6X5. 3
2402-001155	C288	C-AL, SMD	47UF, 20%, 16V, WT, TP, 6. 3X5. 2MM
2402-001155	C329	C-AL, SMD	47UF, 20%, 16V, WT, TP, 6. 3X5. 2MM
2409-001046	C2056	C-ORGANIC	39UF, 20%, 16V, WT, TP, 6. 3X6 MM, -
2409-001046	C809	C-ORGANIC	39UF, 20%, 16V, WT, TP, 6. 3X6 MM, -
2409-001046	C841	C-ORGANIC	39UF, 20%, 16V, WT, TP, 6. 3X6 MM, -
2409-001046	C845	C-ORGANIC	39UF, 20%, 16V, WT, TP, 6. 3X6 MM, -
2409-001046	C847	C-ORGANIC	39UF, 20%, 16V, WT, TP, 6. 3X6 MM, -
2409-001046	C851	C-ORGANIC	39UF, 20%, 16V, WT, TP, 6. 3X6 MM, -
2409-001046	C857	C-ORGANIC	39UF, 20%, 16V, WT, TP, 6. 3X6 MM, -
2409-001046	U127	C-ORGANIC	39UF, 20%, 16V, WT, TP, 6. 3X6 MM, -
2409-001049	C2042	C-ORGANIC	47UF, 20%, 6. 3V, FX, TP, 5X5. 9MM, -
2409-001049	C2052	C-ORGANIC	47UF, 20%, 6. 3V, FX, TP, 5X5. 9MM, -
2409-001049	C2053	C-ORGANIC	47UF, 20%, 6. 3V, FX, TP, 5X5. 9MM, -
2409-001049	C2054	C-ORGANIC	47UF, 20%, 6. 3V, FX, TP, 5X5. 9MM, -
2409-001049	C2055	C-ORGANIC	47UF, 20%, 6. 3V, FX, TP, 5X5. 9MM, -
2409-001049	C810	C-ORGANIC	47UF, 20%, 6. 3V, FX, TP, 5X5. 9MM, -
2409-001049	C813	C-ORGANIC	47UF, 20%, 6. 3V, FX, TP, 5X5. 9MM, -
2409-001049	C826	C-ORGANIC	47UF, 20%, 6. 3V, FX, TP, 5X5. 9MM, -
2409-001049	C827	C-ORGANIC	47UF, 20%, 6. 3V, FX, TP, 5X5. 9MM, -
2409-001049	C867	C-ORGANIC	47UF, 20%, 6. 3V, FX, TP, 5X5. 9MM, -
2409-001076	U141	C-ORGANIC	15UF, 20%, 16V, WT, TP, 5X5. 9MM, 1. 4
2503-001018	IC111	C-NETWORK	15PFX4, 10%, 50V, -
2503-001018	IC112	C-NETWORK	15PFX4, 10%, 50V, -
2503-001018	IC113	C-NETWORK	15PFX4, 10%, 50V, -
2503-001018	IC114	C-NETWORK	15PFX4, 10%, 50V, -
2503-001018	IC115	C-NETWORK	15PFX4, 10%, 50V, -
2503-001018	IC116	C-NETWORK	15PFX4, 10%, 50V, -
2503-001018	IC117	C-NETWORK	15PFX4, 10%, 50V, -
2503-001018	IC118	C-NETWORK	15PFX4, 10%, 50V, -
2503-001018	IC119	C-NETWORK	15PFX4, 10%, 50V, -
2503-001018	IC120	C-NETWORK	15PFX4, 10%, 50V, -
2503-001018	IC121	C-NETWORK	15PFX4, 10%, 50V, -
2503-001018	IC122	C-NETWORK	15PFX4, 10%, 50V, -
2703-000398	L008	INDUCTOR-SMD	10uH, 10%, 3. 2x2. 5x2. 2mm
2703-000398	L611	INDUCTOR-SMD	10uH, 10%, 3. 2x2. 5x2. 2mm
2703-001778	L007	INDUCTOR-SMD	3. 3UH, 20%, 3. 2X2. 5X2. 2MM
2703-001778	L201	INDUCTOR-SMD	3. 3UH, 20%, 3. 2X2. 5X2. 2MM
2703-001778	L202	INDUCTOR-SMD	3. 3UH, 20%, 3. 2X2. 5X2. 2MM
2703-001778	L203	INDUCTOR-SMD	3. 3UH, 20%, 3. 2X2. 5X2. 2MM
2703-001778	L204	INDUCTOR-SMD	3. 3UH, 20%, 3. 2X2. 5X2. 2MM
2703-001778	L206	INDUCTOR-SMD	3. 3UH, 20%, 3. 2X2. 5X2. 2MM
2703-001778	L207	INDUCTOR-SMD	3. 3UH, 20%, 3. 2X2. 5X2. 2MM

2703-001778	L208	INDUCTOR-SMD	3.3UH,20%,3.2X2.5X2.2MM	
2703-001778	L209	INDUCTOR-SMD	3.3UH,20%,3.2X2.5X2.2MM	
2703-001778	L555	INDUCTOR-SMD	3.3UH,20%,3.2X2.5X2.2MM	
2703-001778	L612	INDUCTOR-SMD	3.3UH,20%,3.2X2.5X2.2MM	
2703-001778	L613	INDUCTOR-SMD	3.3UH,20%,3.2X2.5X2.2MM	
2703-001778	I620	INDUCTOR-SMD	3.3UH,20%,3.2X2.5X2.2MM	
2703-002327	L540	INDUCTOR-SMD	3.9UH,55,3.2X2.5X2.2MM	
2703-002327	L541	INDUCTOR-SMD	3.9UH,55,3.2X2.5X2.2MM	
2704-000001	FT935	INDUCTOR-SMD-ARRAY	4000HM,50V,0.5A,-,0.30HM,-25T085C	
2704-000001	FT936	INDUCTOR-SMD-ARRAY	4000HM,50V,0.5A,-,0.30HM,-25T085C	
2704-000004	FT937	INDUCTOR-SMD-ARRAY	2000HM,50V,0.5A,-,0.20HM,-25CT0+85C	
2801-003667	X201	CRYSTAL-SMD	14.3182MHZ,50PPM,28-AAN,16,500HM,TP	
2801-003843	X511	CRYSTAL-SMD	18.432MHz,30ppm,28-AAN,20pF,50ohm,TP	
2801-004004	X401	CRYSTAL-SMD	20.25MHz,20ppm,28-AAN,13pF,25ohm,TP	
2801-004117	X601	CRYSTAL-SMD	6MHZ,30PPM,28-ABX,20PF,1500HM,TP	
2901-001114	FT101	FILTER-EMI SMD	25VDC,2.0ADC,-,100nF,3.2x1.6x1	
2901-001114	FT281	FILTER-EMI SMD	25VDC,2.0ADC,-,100nF,3.2x1.6x1	
2901-001114	FT901	FILTER-EMI SMD	25VDC,2.0ADC,-,100nF,3.2x1.6x1	
2901-001114	FT902	FILTER-EMI SMD	25VDC,2.0ADC,-,100nF,3.2x1.6x1	
2901-001114	FT903	FILTER-EMI SMD	25VDC,2.0ADC,-,100nF,3.2x1.6x1	
2901-001114	FT904	FILTER-EMI SMD	25VDC,2.0ADC,-,100nF,3.2x1.6x1	
2901-001114	FT923	FILTER-EMI SMD	25VDC,2.0ADC,-,100nF,3.2x1.6x1	
2901-001114	R293	FILTER-EMI SMD	25VDC,2.0ADC,-,100nF,3.2x1.6x1	
3301-001145	FT211	CORE-FERRITE BEAD	AB,4.5x1.6x1.6mm,-,-	SNA
3301-001145	FT303	CORE-FERRITE BEAD	AB,4.5x1.6x1.6mm,-,-	SNA
3301-001145	FT304	CORE-FERRITE BEAD	AB,4.5x1.6x1.6mm,-,-	SNA
3301-001145	FT814	CORE-FERRITE BEAD	AB,4.5x1.6x1.6mm,-,-	SNA
3301-001145	FT815	CORE-FERRITE BEAD	AB,4.5x1.6x1.6mm,-,-	SNA
3301-001145	FT816	CORE-FERRITE BEAD	AB,4.5x1.6x1.6mm,-,-	SNA
3301-001145	FT817	CORE-FERRITE BEAD	AB,4.5x1.6x1.6mm,-,-	SNA
3301-001145	FT818	CORE-FERRITE BEAD	AB,4.5x1.6x1.6mm,-,-	SNA
3301-001145	FT821	CORE-FERRITE BEAD	AB,4.5x1.6x1.6mm,-,-	SNA
3301-001145	FT822	CORE-FERRITE BEAD	AB,4.5x1.6x1.6mm,-,-	SNA
3301-001145	FT824	CORE-FERRITE BEAD	AB,4.5x1.6x1.6mm,-,-	SNA
3301-001145	FT825	CORE-FERRITE BEAD	AB,4.5x1.6x1.6mm,-,-	SNA
3301-001145	FT851	CORE-FERRITE BEAD	AB,4.5x1.6x1.6mm,-,-	SNA
3301-001145	FT852	CORE-FERRITE BEAD	AB,4.5x1.6x1.6mm,-,-	SNA
3301-001145	FT927	CORE-FERRITE BEAD	AB,4.5x1.6x1.6mm,-,-	SNA
3301-001145	FT928	CORE-FERRITE BEAD	AB,4.5x1.6x1.6mm,-,-	SNA
3301-001145	FT929	CORE-FERRITE BEAD	AB,4.5x1.6x1.6mm,-,-	SNA
3301-001145	U142	CORE-FERRITE BEAD	AB,4.5x1.6x1.6mm,-,-	SNA
3301-001605	FT925	CORE-FERRITE BEAD	AB,3600HM,2.0X1.2X1.2MM,100MA,TP,FERRITE,0.50HM	SNA
3301-001605	FT926	CORE-FERRITE BEAD	AB,3600HM,2.0X1.2X1.2MM,100MA,TP,FERRITE,0.50HM	SNA
3301-001605	FT930	CORE-FERRITE BEAD	AB,3600HM,2.0X1.2X1.2MM,100MA,TP,FERRITE,0.50HM	SNA
3301-001605	FT931	CORE-FERRITE BEAD	AB,3600HM,2.0X1.2X1.2MM,100MA,TP,FERRITE,0.50HM	SNA
3301-001605	FT932	CORE-FERRITE BEAD	AB,3600HM,2.0X1.2X1.2MM,100MA,TP,FERRITE,0.50HM	SNA
3301-001605	FT933	CORE-FERRITE BEAD	AB,3600HM,2.0X1.2X1.2MM,100MA,TP,FERRITE,0.50HM	SNA
3301-001605	FT934	CORE-FERRITE BEAD	AB,3600HM,2.0X1.2X1.2MM,100MA,TP,FERRITE,0.50HM	SNA
3704-000249	IC620_SOCKET	SOCKET-IC	32P,PLCC,SN,1.27mm	
3711-000556	CN701	CONNECTOR-HEADER	BOX,12P,1R,1.25mm,SMD-A,SN	SNA
3711-000922	CN501	CONNECTOR-HEADER	BOX,4P,1R,1.25mm,SMD-A,SN	
3711-002046	CNJ1G	CONNECTOR-HEADER	3WALL,12P,1R,1.25mm,SMD-S,SN	SNA
3711-002049	CN754	CONNECTOR-HEADER	BOX,6P,1R,1.25mm,SMD-A,SN	SNA
3711-002127	CN878	CONNECTOR-HEADER	BOX,8P,1R,1.25mm,SMD-A,SN	SNA
3711-003161	CN901	CONNECTOR-HEADER	BOX,20P,1R,1.25mm,ANGLE,SN	
3711-004130	CN505_1	CONNECTOR-HEADER	BOX,31P,2R,0.625mm,SMD-A,AUF	
3711-004130	CN920_1	CONNECTOR-HEADER	BOX,31P,2R,0.625mm,SMD-A,AUF	
3711-004933	CN502	CONNECTOR-HEADER	BOX,3P,1R,1.25MM,SMD-A,SN,WHT	SNA
3711-004933	CN706_1	CONNECTOR-HEADER	BOX,3P,1R,1.25MM,SMD-A,SN,WHT	SNA

BN27-00009A	L806	COIL CHOKE	SMD 12X12X6, EOS, 33UH, 15%, -, 0.12 MAX, 2A, DR10X5.0MM, 18.5TS, 12X12X6, 1.8MM, 1UEW 0.	
BN27-00010A	L805	COIL CHOKE	-, NK17NS, 100UH, 10%, -, 0.7 MAX, 6A, DR5.8X4.5MM, 59.5TS, 6.0X5.2X4.5MM, 1.8MM, 1UEW 0.	
BN27-00010A	L830	COIL CHOKE	-, NK17NS, 100UH, 10%, -, 0.7 MAX, 6A, DR5.8X4.5MM, 59.5TS, 6.0X5.2X4.5MM, 1.8MM, 1UEW 0.	
BN27-20001A	L807	COIL-CHOKE	-, .53.0UH, 20%, DR10*5, -, -, -, -, 0.18ohm, -, -, -, TRAY	
BN27-20001A	L818	COIL-CHOKE	-, .53.0UH, 20%, DR10*5, -, -, -, -, 0.18ohm, -, -, -, TRAY	
BN41-00186A	MP1.0	PCB MAIN	MB15EO, FR4, 6L, 175X181X1.23, MB15EO	SNA
BN91-00567E	-	ASSY LCD	MB15"	SNA
BN07-00091A	CIS	LCD	LTM150XH-L06, CZB, 6BIT_ FRC, 331.6*254.76*12.5, 16.19M, -, 0.297*0.297, -, -, AMLCD/1 LV	
BN92-00503A	-	ASSY BOX	LW15S13WX/XEC, SESA, SPAIN	SNA
BH68-00329A	CIS	LABEL BAR CODE	ALL, MPRII, DOM, EXPORT, ART-PAPER 90G, -, -, -, -, WHT, -, -	SNA
BH75-10529A	CIS	UNIT-HANDLE PACKING	LXA410TLMU, PE, -, WHITE, -	SNA
BN72-60001A	CIS	LEVER TOP	LSD210TL, PE-LD, WHITE, TFT_LCD	SNA
BN72-60002A	CIS	LEVER BOTTOM	LSD210TL, PE-LD, WHITE, TFT-LCD	SNA
BN69-00341A	CIS	BOX	LW15S13C, GUJU, CB-SW4, YEL, A-1, L523*W415*H90	SNA
BN92-00506A	-	ASSY P/MATERIAL	MB15EO	SNA
0203-001100	CIS	TAPE-OPP MASKING	OPP/W75/CLR, TO.05, W75, L800000, CLR	SNA
BH69-00256C	CIS	PAD-PACKING-EDGE	MV940, B400, W200, L2030, -, -, YEL, -, -	SNA
BH69-00260A	CIS	BAG AIR	DP17L, PE, 0.2, 1800, 1000, NATURAL, -	SNA
BH69-30002C	CIS	BAG-PE	LDPE, TO.05, W2400, NO_PRINT	SNA
BH69-30348C	CIS	BAG-PE	HDPE, TO.02, W350*L430, Y, -, CGB51	SNA
BH69-30355E	CIS	BAG-PE/N	NK15, PE FOAM, 0.5, 650, 650, NTR	SNA
BH69-30360A	CIS	BAG-AIR	HDPE, TO.2, W1000*L1800, N, -, ALL	SNA
BH69-40380A	CIS	PACKING-PAD	DW-2, 500X2200X200, -, CGK5527	SNA
BN69-00274A	CIS	CUSHION	RB15, EPS, -, -, -, -, M50	SNA
BN69-00293F	CIS	PALLET-PACKING	MB15, STEEL, 1290, 1080, 100	SNA
BN92-00578T	-	ASSY ACCESSORY	LW15S13WX/XEC, SESA, SPAIN	SNA
BN59-00225A	CIS	REMOCON	-, TM71, NIKE, 41, GR20, BLUE, PAL, -, -, -, -	
BN96-00145T	CIS	ASSY ACCESSORY	LW15S13WX/XEC, SESA, SPAIN	
0203-000214	CIS	TAPE-OPP MASKING	OPP/W50/CLR, TO.05, W50, L400000,	SNA
4301-000121	CIS	BATTERY-MN	1.5V, -, AAA, 10.5x44.5m, HOLDER	SNA
BH39-10339H	CIS	CBF POWER CORD	DET, H05VV-F, 250V/10, 16A, BLK, 25	
BH39-40355W	CIS	CBF-HARNESS	-, 2000MM, IVORY, -, -, -	
BH69-30348D	CIS	BAG-PE	LDPE, TO.05, W240*L356, Y, -, CMG73	SNA
BN39-00043A	CIS	CBF SIGNAL	DETACHABLE, -, 15P/15P, -, -, -	
BN96-00145Y	CIS	ASSY ACCESSORY	211MP, DOMESTIC, KOREA	
0203-000214	CIS	TAPE-OPP MASKING	OPP/W50/CLR, TO.05, W50, L400000,	SNA
6801-001009	CIS	CARD-WARRANTY	EUROPE (12), 8	SNA
6801-001014	CIS	CARD-REGISTRATION	XEU, ENG, MOJO100, L150, W392, -, -	SNA
6801-001015	CIS	CARD-REGISTRATION	XEG, GERMAN, MOJO100, L150, W392, -, -	SNA
6801-001016	CIS	CARD-REGISTRATION	XEF, FRENCH, MOJO100, L150, W392, -, -	SNA
6801-001017	CIS	CARD-REGISTRATION	XEC, SPANISH, MOJO100, L150, W392, -, -	SNA
6801-001019	CIS	CARD-REGISTRATION	XEN, DUTCH, MOJO100, L150, W392, -, -	SNA
6801-001020	CIS	CARD-REGISTRATION	XEP, PORTUGAL, MOJO100, L150, W392, -, -	SNA
BH69-30348D	CIS	BAG-PE	LDPE, TO.05, W240*L356, Y, -, CMG73	SNA
BN68-00281D	CIS	MANUAL USERS	LW15S13C, SAMSUNG, E/F/S/G/P/I/SW, EUROPE, MOJO100G	SNA
BN92-00619J	-	ASSY LABEL	LW15S13CX/XEC	SNA
AA68-50502A	CIS	LABEL-CONFORMATION	W/P100(G), CTV, ITALY, 170x110, BL	SNA
BN68-00267B	CIS	LABEL RATING	MB15EO, EDC, PE, TO.05, 65, 79, PE NATURE	SNA
S3-LW15S13CX/XEC	-	3	LTM150XH-L06 ZPD	-
BN90-00316A	-	ASSY COVER FRONT	MB15NO	SNA
BN90-00255A	CIS	ASSY COVER FRONT	RB15, -, ABS HB, -, SILVER, -, -, -	
6003-000259	CIS	SCREW-TAPTITE	BH, +, B, M3, L8, ZPC(YEL), SWRCH18A	SNA
BN59-00282B	CIS	SPEAKER SYSTEM	MINERVA, 3W, 46C46X20MM, WIRE: 395MM+CORE	
BN59-00283B	CIS	SPEAKER SYSTEM	MINERVA, 3W, 46C46X20MM, WIRE: 110MM+CORE	
BN59-00287A	CIS	BOARD-FUNCTION ASS'Y	MB15UO, CT5000-0610, FUNCTION ASS'Y	SNA
BN59-00344A	CIS	BOARD-PHONE-JACK ASS'Y	MB15EO, CT5000-1090, PHONE-JACK ASS'Y	SNA
BN61-00082A	CIS	BRACKET-SPRING-STAND	RB15, SUS, TO.5, -, -, -, - Page 33	SNA
BN63-00172A	CIS	COVER-FRONT	RB15, ABS, -, -, -, HB, -, BK08, SILVER SPRAY	SNA
BN63-00175A	CIS	COVER-LENS	RB15, ABS, -, -, -, HB, -, IV16, NONE, 1.5	SNA

BN64-00031A	CIS	BADGE-BRAND	RB15AS,AL,T1.4,6.3,40.1,-,SILIVER,-	SNA
BN64-00056A	CIS	KNOB-POWER	RB15,PC,-,-,-,HB,CLEAR,-,NI-CR	
BN64-00057A	CIS	KNOB-FUNCTION	RB15,ABS+PC,-,-,-,HB,BK08,-,NONE,1.5	
BN67-00048A	CIS	LENS-IR	RB15,ACRYL,CLEAR,-,1.5,-,HALF-MIRROR	SNA
BN67-00054A	CIS	LENS-LED	RB15,ACRYL,CLEAR,1	
BN90-00318A	-	ASSY STAND	MB15NO	SNA
BN90-00257A	CIS	ASSY STAND	RB15,-,ABD HB,-,-,-,-,-	
6001-001612	CIS	SCREW-MACHINE	CH,+,M2,L3.5,ZPC(BLK),SWRCH18A,FP,-	
6003-001347	CIS	SCREW-TAPTITE	FH,+,B,M4,L16,ZPC(YEL),SWRCH18A,-	SNA
BN61-00158A	CIS	BRACKET-STAND	MINERVA,STS 420J2,T2.0	SNA
BN63-00176A	CIS	COVER-STAND	RB15,ABS,-,-,-,HB,-,BK08,HB,1.5	SNA
BN73-60002A	CIS	RUBBER-FOOT	CY15PO,SPONGE,-,-,-,BL,-,-,-,-	SNA
BN90-00258A	CIS	ASSY HINGE	RB15,-,AL,-,-,-,-,DIE-CASTING	SNA
BN90-00362A	-	ASSY COVER REAR	MB15EO	SNA
6003-001246	C/F+C/R	SCREW-TAPTITE	FH,+,B,M3,L10,NI PLT,SWRCH18A	SNA
BN96-00038C	CIS	ASSY COVER P-REAR	MB15EO,EUROPE,ABS HB,SVM-1207,PAL	
BN61-00092A	CIS	BRACKET-PIN	RB15,CU+ZN,TO.23,35MM	SNA
BN63-00173A	CIS	COVER-REAR	RB15,ABS,-,-,-,HB,-,BK08,SILVER SPRAY	SNA
BN63-00199A	CIS	COVER-HANDLE	RB15,ABS,HB,BK08,HB,1.5	SNA
BN91-00386D	-	ASSY MISC-ADAPTOR	NK15S0	SNA
BN44-00063A	CIS	ADAPTOR	AD-4914N,EOS17,100-240VAC,47 - 63 HZ,+14VDC,3.5A,-,49W,-,0 TO +40 C,120*63*31,SA	
BN91-00395A	-	ASSY SHIELD	MB15NO	SNA
6003-000117	SH/PCB+C/F	SCREW-TAPTITE	BH,+,B,M3,L6,ZPC(YEL),SWRCH18A	SNA
6003-000117	SH/PCB+IN/PCB	SCREW-TAPTITE	BH,+,B,M3,L6,ZPC(YEL),SWRCH18A	SNA
6003-000117	SH/PCB+M/PCB	SCREW-TAPTITE	BH,+,B,M3,L6,ZPC(YEL),SWRCH18A	SNA
BN02-00010A	CIS	TAPE ETC	MINERVA,AL-TAPE,0.07MM,60MM,80MM,SILVER,DK-100-60-80	SNA
BN02-00017A	CIS	TAPE ETC	MB15ES,DK101,COPPER,0.13MM,80MM,80MM,GOLD,DK-101-80-80	SNA
BN59-00304A	CIS	BOARD-INPUT ASS'Y	MB15EO,INPUT ASS'Y	SNA
BN90-00256B	CIS	ASSY SHIELD-PCB	MB15EO,EULOPE,SECC TO.5	SNA
BN63-00177A	CIS	SHIELD-PCB	RB15,SECC,TO.5,-,-,-,-	SNA
BN63-00412A	CIS	GASKET	MB15VO,CONDUCTIVE FABRIC,1MM,8MM,58MM,GRAY,71TSFK 8-1-58-13-D,71TSFK 8-1-58-13-D	SNA
BN63-00417A	CIS	GASKET	MINERVA,CONDUCTIVE_FABRIC,4MM,10MM,45MM,GRAY,71TSSK 10-4-45-13,71TSSK 10-4-45-13	SNA
BN63-00515A	CIS	GASKET	MB15ES,CONDUCTIVE FABRIC,4MM,10MM,25MM,GRAY,71TSSK-10-4-25-13,SHIELD FORM	SNA
BN71-00022A	CIS	EARTH PLATE	RB15AS,SUS,TO.15	SNA
BN91-00440A	-	ASSY CHASSIS	MB15EO	
BN94-00332A	-	ASSY PCB MAIN	MB15EO	SNA
0201-001223	CIS	ADHESIVE-TS	HT-130S,RED,700+/- 50,-	SNA
0202-001044	CIS	SOLDER-WIRE.	S63S-W3.0,S63S,D3,63Sn/37Pb,-	SNA
0202-001046	CIS	SOLDER-WIRE FLUX	CF-110VH-2A,-,-,-,-	SNA
0202-001222	CIS	SOLDER-WIRE FLUX	RS-107,RS60-1.2AA,D1.2,SN60/PB40,-	SNA
0204-001095	CIS	THINNER	#4520,-,-,-	SNA
BH73-60304E	CIS	RUBBER-SUPPORT	MO15PS,CR V0,6*6*6.4,BLACK	SNA
BN39-00161B	CIS	LEAD CONNECTOR-ASSY	MB15UO,UL1571#30,UL/CSA,12P,#28,12505HS-12,12505HS-12,BK,40MM,1571#30,SJ02-01-05	
BN39-00272A	CIS	LEAD CONNECTOR-ASSY	MB15UO,UL1571#28,UL/CSA,20P,#28,12507HS-20,12507HS-20,BK,50MM,1571#28,SJ01-01-40	
BN39-00275A	CIS	LEAD CONNECTOR-ASSY	MB15UO,UL1061#28,UL/CSA,8P,#28,12505HS-08,12505HS-08,BK,125MM,1061#28,SJ02-01-06	
BN39-00296A	CIS	LEAD CONNECTOR	MB15S0,UL1571#28,UL/CSA,31P,#28,FI-W31S,FI-W31S,BK,40MM,1571#28	
BN39-00336A	CIS	LEAD CONNECTOR	MB15EO,UL1571#28,UL/CSA,31P,#28,FI-W31S,FI-W31S,BK,40MM,1571#28,SJ02-01-269,EMI-	
BN44-00061B	CIS	INVERTER	MB15UO,S1C540A,48KHZ,14VDC,3.6MARMs,6.8MARMs,48KHZ,140*65.5*7.0,4LAMP,48KHZ	
BN60-00011A	CIS	FASTENER-PEM/NUT	MINERVA,SUM24L(SN),M3,-,7.0,6.8,WHT	SNA
BN63-00174A	CIS	COVER-PCB	RB15,ABS,-,-,-,VO,-,IV16,TBBA,1.5	SNA
BN63-00413A	CIS	GASKET	MB15KO,CONDUCTIVE FABRIC,5MM,8MM,8MM,GRAY,71TSMK 8-5-8-13-D,71TSMK 8-5-8-13-D	SNA
BN97-00115G	-	ASSY MICOM	MB15EO	
1102-001129	IC620	IC-EPROM	M27W401,512KX8BIT,PLCC,32P,11.35X13.89MM,80NS,3.3V,10%,PLASTIC,-40TO+85C,-,CMOS,	
BN46-00014D	CIS	S/W MICOM	MB15EO	SNA
BN97-00120A	-	ASSY SMD	MB15EO	SNA
0202-001162	CIS	SOLDER-CREAM	RMA-20-21L,S63,-,SN63/PB36.6/AGO.4,FLUX9.5%	SNA
0401-001056	D681	DIODE-SWITCHING	MMBD4148SE,75V,200MA,SOT-23,TP	
0401-001056	D804	DIODE-SWITCHING	MMBD4148SE,75V,200MA,SOT-23,TP	
0402-000553	D802	DIODE-RECTIFIER	SS24,40V,2.0A,DO-214AA	

0402-000553	D875	DIODE-RECTIFIER	SS24, 40V, 2.0A, D0-214AA
0402-001098	D803	DIODE-RECTIFIER	SK34, 40V, 3A, SMC, TP
0403-000579	D601	DIODE-ZENER	BZX84C5V1, 5.1V, 5%, 200mW, SOT-23
0403-000579	D602	DIODE-ZENER	BZX84C5V1, 5.1V, 5%, 200mW, SOT-23
0403-000579	D604	DIODE-ZENER	BZX84C5V1, 5.1V, 5%, 200mW, SOT-23
0403-000579	U133	DIODE-ZENER	BZX84C5V1, 5.1V, 5%, 200mW, SOT-23
0403-000579	U134	DIODE-ZENER	BZX84C5V1, 5.1V, 5%, 200mW, SOT-23
0403-001052	D543	DIODE-ZENER	RD8.2MB, 8.2V, 7.7-8.64V, 200mW, S
0403-001052	D545	DIODE-ZENER	RD8.2MB, 8.2V, 7.7-8.64V, 200mW, S
0403-001052	D570	DIODE-ZENER	RD8.2MB, 8.2V, 7.7-8.64V, 200mW, S
0403-001052	D571	DIODE-ZENER	RD8.2MB, 8.2V, 7.7-8.64V, 200mW, S
0404-001166	D801	DIODE-SCHOTTKY	MBRM130LT3, 30V, 1000MA, D0-216AA, TP
0404-001166	D880	DIODE-SCHOTTKY	MBRM130LT3, 30V, 1000MA, D0-216AA, TP
0501-000342	Q020	TR-SMALL SIGNAL	KSC1623-Y, NPN, 200mW, SOT-23, TP, 135-270
0501-000342	Q201	TR-SMALL SIGNAL	KSC1623-Y, NPN, 200mW, SOT-23, TP, 135-270
0501-000342	Q601	TR-SMALL SIGNAL	KSC1623-Y, NPN, 200mW, SOT-23, TP, 135-270
0501-000342	Q611	TR-SMALL SIGNAL	KSC1623-Y, NPN, 200mW, SOT-23, TP, 135-270
0501-002080	Q001	TR-SMALL SIGNAL	2SC2412K, NPN, 200mW, SC-59, TP, 120-270
0501-002080	Q602	TR-SMALL SIGNAL	2SC2412K, NPN, 200mW, SC-59, TP, 120-270
0501-002080	Q808	TR-SMALL SIGNAL	2SC2412K, NPN, 200mW, SC-59, TP, 120-270
0501-002080	Q812	TR-SMALL SIGNAL	2SC2412K, NPN, 200mW, SC-59, TP, 120-270
0505-001170	IC808	FET-SILICON	S19933ADY-T1, P, -20V, 3.4A, 0.06ohm, 2W, SO-8
0801-002267	IC406	IC-CMOS LOGIC	74LCX14, -, SOIC, 14P, 150MIL, -, TP, -, -, -, 3.6V, -40TO+85C, -, 5.5V, -, -, 24MA
0904-001009	IC631	IC-I/O SUPPORT CHIP	8574A, -, SOP, 16P, 300MIL, 100KHz,
0904-001009	IC632	IC-I/O SUPPORT CHIP	8574A, -, SOP, 16P, 300MIL, 100KHz,
1001-001082	IC013	IC-VIDEO SWITCH	BA7657F, -, SOP, 24P, 300MIL, SINGL
1001-001109	IC012	IC-ANALOG SWITCH	FST3125M, BUS SWITCH & CMOS, SOIC, 17P, 150MIL, QUAD, 7V, -40TO+85C, PLASTIC, -, 4.00HM, 5.
1001-001109	IC681	IC-ANALOG SWITCH	FST3125M, BUS SWITCH & CMOS, SOIC, 17P, 150MIL, QUAD, 7V, -40TO+85C, PLASTIC, -, 4.00HM, 5.
1001-001177	IC011	IC-VIDEO SWITCH	TEA6425D, VIDEO SWITCH, SOIC, 20P, 300MIL, -, 8.8V, 0TO+70C, PLASTIC, -, -, -, 2UA, ST, -
1001-001190	IC001	IC-ANALOG SWITCH	FST16233MTD, BUS SWITCH, TSSOP, 56P, 240MIL, -, 5.5V, -40TO+85C, PLASTIC, -, 200HM, 8.5NS, 7
1002-001292	IC350	IC-A/D CONVERTER	AD9883AKST-110, 8BITS, QFP, 80P, 551MIL, ±0.5LSB, TR, CMOS, PLASTIC, 3.3V, -25TO+85C, 650M
1003-001419	IC300	IC-DISPLAY DRIVER	MN82860, QFP, 208P, 1102MIL, -, -, TR, PLASTIC, 3.3V, -, 2.3W, -, -
1103-000129	IC401	IC-EEPROM	24C02, 256x8BIT, SOP, 8P, 150MIL, 1
1103-000138	IC603	IC-EEPROM	24C16, 2Kx8BIT, SOP, 8P, 150MIL, 10
1105-001336	IC210	IC-DRAM	4S643232, 512Kx32x4Bit, TSOP, 86P, 400MIL, 60nS, 3.3V, 10%, PLASTIC, 0to+70C, 2mA, CMOS, TP
1105-001336	IC211	IC-DRAM	4S643232, 512Kx32x4Bit, TSOP, 86P, 400MIL, 60nS, 3.3V, 10%, PLASTIC, 0to+70C, 2mA, CMOS, TP
1201-001559	IC503	IC-AUDIO AMP	4863, TSSOP, 20P, 173MIL, DUAL, 98dB, PLASTIC, 5.5V, 2.45W, -40to+85C, -, -, -, -, -
1203-000404	IC801	IC-DC/DC CONVERTER	34063, SOP, 8P, 150MIL, PLASTIC, 1.0/1.3V, -, 0TO+70C, 4.0MA, -, ST
1203-000404	IC810	IC-DC/DC CONVERTER	34063, SOP, 8P, 150MIL, PLASTIC, 1.0/1.3V, -, 0TO+70C, 4.0MA, -, ST
1203-001212	IC604	IC-VOL. DETECTOR	7029, SOT-89, 3P, -, PLASTIC, -, 500
1203-001293	IC811	IC-POSIFIXED REG.	033, TO-252, 3P, 6.5MIL, PLASTIC, 3
1203-001448	IC804	IC-SWITCH VOL. REG.	2596, TO-263, 5P, -, PLASTIC, 4.750
1203-001448	IC807	IC-SWITCH VOL. REG.	2596, TO-263, 5P, -, PLASTIC, 4.750
1203-001816	IC803	IC-POSIFIXED REG.	78M08, TO-252, 3P, -, PLASTIC, 7.7/8.3V, 1.0W, -40TO+85C, 0.5A, -, TP
1203-001830	IC805	IC-SWITCH VOL. REG.	2676, TO-263, 7P, -, PLASTIC, 3.234/3.336V, -, -40TO+125C, 3A, -, TP
1203-001890	IC802	IC-VOLTAGE REGULATOR	3961, SOT223-5, 5P, -, PLASTIC, 2.5V, -, -40to+125C, 800mA, -, TR
1203-001890	IC806	IC-VOLTAGE REGULATOR	3961, SOT223-5, 5P, -, PLASTIC, 2.5V, -, -40to+125C, 800mA, -, TR
1204-001675	IC919	IC-SOUND PROCESSOR	MSP3451G, QFP, 80P, -, PLASTIC, 9V, 1000mW, 0to+70C, TR, Multistandard Sound
1204-001911	IC200	IC-VIDEO PROCESS	DPTV-3D-6730, PQFP, 208P, 28X28MM, PLASTIC, 4.6V, -, 0TO+70C, TR, -
1204-001912	IC601	IC-DECODER	SDA5550M, P-MQFP, 100P, -, PLASTIC, 3.3V, 1.5W, 0TO+70C, TR, -
1204-001926	IC010	IC-VIDEO PROCESS	VPC3230D-C5, PQFP, 80P, -, PLASTIC, 6V, -, 0 TO 65C, TP, VPC3230D-C5
1205-001740	IC901	IC-TRANSMITTER	DS90C385, TSSOP, 56P, 240MIL, PLASTIC, 4V, 1.63W, -10 TO +70C, ST, FPD LINK-85MHZ(LVDS)
2007-000070	ROVS	R-CHIP	0ohm, 5%, 1/16W, DA, TP, 1608
2007-000070	R215	R-CHIP	0ohm, 5%, 1/16W, DA, TP, 1608
2007-000070	R216	R-CHIP	0ohm, 5%, 1/16W, DA, TP, 1608
2007-000070	R217	R-CHIP	0ohm, 5%, 1/16W, DA, TP, 1608
2007-000070	R218	R-CHIP	0ohm, 5%, 1/16W, DA, TP, 1608
2007-000070	R222	R-CHIP	0ohm, 5%, 1/16W, DA, TP, 1608
2007-000070	R234	R-CHIP	0ohm, 5%, 1/16W, DA, TP, 1608

2007-000074	R624	R-CHIP	100ohm,5%,1/16W,DA,TP,1608
2007-000074	R625	R-CHIP	100ohm,5%,1/16W,DA,TP,1608
2007-000074	R627	R-CHIP	100ohm,5%,1/16W,DA,TP,1608
2007-000074	R628	R-CHIP	100ohm,5%,1/16W,DA,TP,1608
2007-000074	R629	R-CHIP	100ohm,5%,1/16W,DA,TP,1608
2007-000074	R632	R-CHIP	100ohm,5%,1/16W,DA,TP,1608
2007-000074	R633	R-CHIP	100ohm,5%,1/16W,DA,TP,1608
2007-000074	R634	R-CHIP	100ohm,5%,1/16W,DA,TP,1608
2007-000074	R637	R-CHIP	100ohm,5%,1/16W,DA,TP,1608
2007-000074	R638	R-CHIP	100ohm,5%,1/16W,DA,TP,1608
2007-000074	R643	R-CHIP	100ohm,5%,1/16W,DA,TP,1608
2007-000074	R644	R-CHIP	100ohm,5%,1/16W,DA,TP,1608
2007-000074	R647	R-CHIP	100ohm,5%,1/16W,DA,TP,1608
2007-000074	R651	R-CHIP	100ohm,5%,1/16W,DA,TP,1608
2007-000074	R662	R-CHIP	100ohm,5%,1/16W,DA,TP,1608
2007-000074	R663	R-CHIP	100ohm,5%,1/16W,DA,TP,1608
2007-000074	R664	R-CHIP	100ohm,5%,1/16W,DA,TP,1608
2007-000074	R667	R-CHIP	100ohm,5%,1/16W,DA,TP,1608
2007-000074	R685	R-CHIP	100ohm,5%,1/16W,DA,TP,1608
2007-000074	R686	R-CHIP	100ohm,5%,1/16W,DA,TP,1608
2007-000075	R6230	R-CHIP	220ohm,5%,1/16W,DA,TP,1608
2007-000075	R639	R-CHIP	220ohm,5%,1/16W,DA,TP,1608
2007-000075	R640	R-CHIP	220ohm,5%,1/16W,DA,TP,1608
2007-000075	R641	R-CHIP	220ohm,5%,1/16W,DA,TP,1608
2007-000075	R642	R-CHIP	220ohm,5%,1/16W,DA,TP,1608
2007-000075	R649	R-CHIP	220ohm,5%,1/16W,DA,TP,1608
2007-000076	R608	R-CHIP	330ohm,5%,1/16W,DA,TP,1608
2007-000076	R665	R-CHIP	330ohm,5%,1/16W,DA,TP,1608
2007-000076	R666	R-CHIP	330ohm,5%,1/16W,DA,TP,1608
2007-000076	R669	R-CHIP	330ohm,5%,1/16W,DA,TP,1608
2007-000076	R671	R-CHIP	330ohm,5%,1/16W,DA,TP,1608
2007-000076	R672	R-CHIP	330ohm,5%,1/16W,DA,TP,1608
2007-000076	R673	R-CHIP	330ohm,5%,1/16W,DA,TP,1608
2007-000077	R015	R-CHIP	470ohm,5%,1/16W,DA,TP,1608
2007-000077	R016	R-CHIP	470ohm,5%,1/16W,DA,TP,1608
2007-000077	R017	R-CHIP	470ohm,5%,1/16W,DA,TP,1608
2007-000077	R606	R-CHIP	470ohm,5%,1/16W,DA,TP,1608
2007-000078	R115	R-CHIP	1Kohm,5%,1/16W,DA,TP,1608
2007-000078	R127	R-CHIP	1Kohm,5%,1/16W,DA,TP,1608
2007-000078	R128	R-CHIP	1Kohm,5%,1/16W,DA,TP,1608
2007-000078	R129	R-CHIP	1Kohm,5%,1/16W,DA,TP,1608
2007-000078	R437	R-CHIP	1Kohm,5%,1/16W,DA,TP,1608
2007-000078	R516	R-CHIP	1Kohm,5%,1/16W,DA,TP,1608
2007-000078	R517	R-CHIP	1Kohm,5%,1/16W,DA,TP,1608
2007-000078	R6227	R-CHIP	1Kohm,5%,1/16W,DA,TP,1608
2007-000078	R623	R-CHIP	1Kohm,5%,1/16W,DA,TP,1608
2007-000078	R636	R-CHIP	1Kohm,5%,1/16W,DA,TP,1608
2007-000082	R356	R-CHIP	3.3Kohm,5%,1/16W,DA,TP,1608
2007-000084	R028	R-CHIP	4.7Kohm,5%,1/16W,DA,TP,1608
2007-000084	R038	R-CHIP	4.7Kohm,5%,1/16W,DA,TP,1608
2007-000084	R064	R-CHIP	4.7Kohm,5%,1/16W,DA,TP,1608
2007-000084	R065	R-CHIP	4.7Kohm,5%,1/16W,DA,TP,1608
2007-000084	R213	R-CHIP	4.7Kohm,5%,1/16W,DA,TP,1608
2007-000084	R221	R-CHIP	4.7Kohm,5%,1/16W,DA,TP,1608
2007-000084	R225	R-CHIP	4.7Kohm,5%,1/16W,DA,TP,1608
2007-000084	R239	R-CHIP	4.7Kohm,5%,1/16W,DA,TP,1608
2007-000084	R243	R-CHIP	4.7Kohm,5%,1/16W,DA,TP,1608
2007-000084	R302	R-CHIP	4.7Kohm,5%,1/16W,DA,TP,1608
2007-000084	R501	R-CHIP	4.7Kohm,5%,1/16W,DA,TP,1608

2007-000084	R502	R-CHIP	4.7Kohm,5%,1/16W,DA,TP,1608
2007-000084	R527	R-CHIP	4.7Kohm,5%,1/16W,DA,TP,1608
2007-000084	R604	R-CHIP	4.7Kohm,5%,1/16W,DA,TP,1608
2007-000084	R617	R-CHIP	4.7Kohm,5%,1/16W,DA,TP,1608
2007-000084	R621	R-CHIP	4.7Kohm,5%,1/16W,DA,TP,1608
2007-000084	R622	R-CHIP	4.7Kohm,5%,1/16W,DA,TP,1608
2007-000084	R6232	R-CHIP	4.7Kohm,5%,1/16W,DA,TP,1608
2007-000084	R631	R-CHIP	4.7Kohm,5%,1/16W,DA,TP,1608
2007-000084	R646	R-CHIP	4.7Kohm,5%,1/16W,DA,TP,1608
2007-000084	R648	R-CHIP	4.7Kohm,5%,1/16W,DA,TP,1608
2007-000084	R811	R-CHIP	4.7Kohm,5%,1/16W,DA,TP,1608
2007-000084	R821	R-CHIP	4.7Kohm,5%,1/16W,DA,TP,1608
2007-000084	R822	R-CHIP	4.7Kohm,5%,1/16W,DA,TP,1608
2007-000084	R841	R-CHIP	4.7Kohm,5%,1/16W,DA,TP,1608
2007-000084	R842	R-CHIP	4.7Kohm,5%,1/16W,DA,TP,1608
2007-000086	R114	R-CHIP	5.6Kohm,5%,1/16W,DA,TP,1608
2007-000090	R006	R-CHIP	10KOHM,5%,1/16W,DA,TP,1608
2007-000090	R061	R-CHIP	10KOHM,5%,1/16W,DA,TP,1608
2007-000090	R107	R-CHIP	10KOHM,5%,1/16W,DA,TP,1608
2007-000090	R116	R-CHIP	10KOHM,5%,1/16W,DA,TP,1608
2007-000090	R241	R-CHIP	10KOHM,5%,1/16W,DA,TP,1608
2007-000090	R248	R-CHIP	10KOHM,5%,1/16W,DA,TP,1608
2007-000090	R301	R-CHIP	10KOHM,5%,1/16W,DA,TP,1608
2007-000090	R327	R-CHIP	10KOHM,5%,1/16W,DA,TP,1608
2007-000090	R357	R-CHIP	10KOHM,5%,1/16W,DA,TP,1608
2007-000090	R358	R-CHIP	10KOHM,5%,1/16W,DA,TP,1608
2007-000090	R601	R-CHIP	10KOHM,5%,1/16W,DA,TP,1608
2007-000090	R607	R-CHIP	10KOHM,5%,1/16W,DA,TP,1608
2007-000090	R609	R-CHIP	10KOHM,5%,1/16W,DA,TP,1608
2007-000090	R653	R-CHIP	10KOHM,5%,1/16W,DA,TP,1608
2007-000090	R654	R-CHIP	10KOHM,5%,1/16W,DA,TP,1608
2007-000090	R655	R-CHIP	10KOHM,5%,1/16W,DA,TP,1608
2007-000090	R656	R-CHIP	10KOHM,5%,1/16W,DA,TP,1608
2007-000090	R657	R-CHIP	10KOHM,5%,1/16W,DA,TP,1608
2007-000090	R658	R-CHIP	10KOHM,5%,1/16W,DA,TP,1608
2007-000090	R659	R-CHIP	10KOHM,5%,1/16W,DA,TP,1608
2007-000090	R661	R-CHIP	10KOHM,5%,1/16W,DA,TP,1608
2007-000090	R668	R-CHIP	10KOHM,5%,1/16W,DA,TP,1608
2007-000090	R674	R-CHIP	10KOHM,5%,1/16W,DA,TP,1608
2007-000090	R675	R-CHIP	10KOHM,5%,1/16W,DA,TP,1608
2007-000090	R676	R-CHIP	10KOHM,5%,1/16W,DA,TP,1608
2007-000090	R677	R-CHIP	10KOHM,5%,1/16W,DA,TP,1608
2007-000090	R678	R-CHIP	10KOHM,5%,1/16W,DA,TP,1608
2007-000090	R679	R-CHIP	10KOHM,5%,1/16W,DA,TP,1608
2007-000090	R681	R-CHIP	10KOHM,5%,1/16W,DA,TP,1608
2007-000090	R682	R-CHIP	10KOHM,5%,1/16W,DA,TP,1608
2007-000090	R684	R-CHIP	10KOHM,5%,1/16W,DA,TP,1608
2007-000090	R823	R-CHIP	10KOHM,5%,1/16W,DA,TP,1608
2007-000090	R824	R-CHIP	10KOHM,5%,1/16W,DA,TP,1608
2007-000090	R873	R-CHIP	10KOHM,5%,1/16W,DA,TP,1608
2007-000091	R101	R-CHIP	12Kohm,5%,1/16W,DA,TP,1608
2007-000092	R6233	R-CHIP	15Kohm,5%,1/16W,DA,TP,1608
2007-000092	R6234	R-CHIP	15Kohm,5%,1/16W,DA,TP,1608
2007-000094	R103	R-CHIP	22Kohm,5%,1/16W,DA,TP,1608
2007-000094	R605	R-CHIP	22Kohm,5%,1/16W,DA,TP,1608
2007-000097	R199	R-CHIP	47Kohm,5%,1/16W,DA,TP,1608
2007-000097	R603	R-CHIP	47Kohm,5%,1/16W,DA,TP,1608
2007-000098	R602	R-CHIP	56Kohm,5%,1/16W,DA,TP,1608
2007-000102	R553	R-CHIP	100Kohm,5%,1/16W,DA,TP,1608

2007-000102	R554	R-CHIP	100Kohm,5%,1/16W,DA,TP,1608
2007-000102	R874	R-CHIP	100Kohm,5%,1/16W,DA,TP,1608
2007-000102	R875	R-CHIP	100Kohm,5%,1/16W,DA,TP,1608
2007-000109	R305	R-CHIP	1Mohm,5%,1/16W,DA,TP,1608
2007-000109	R309	R-CHIP	1Mohm,5%,1/16W,DA,TP,1608
2007-000109	R317	R-CHIP	1Mohm,5%,1/16W,DA,TP,1608
2007-000113	R121	R-CHIP	33ohm,5%,1/16W,DA,TP,1608
2007-000113	R122	R-CHIP	33ohm,5%,1/16W,DA,TP,1608
2007-000113	R123	R-CHIP	33ohm,5%,1/16W,DA,TP,1608
2007-000113	R124	R-CHIP	33ohm,5%,1/16W,DA,TP,1608
2007-000113	R125	R-CHIP	33ohm,5%,1/16W,DA,TP,1608
2007-000113	R126	R-CHIP	33ohm,5%,1/16W,DA,TP,1608
2007-000113	R202	R-CHIP	33ohm,5%,1/16W,DA,TP,1608
2007-000113	R203	R-CHIP	33ohm,5%,1/16W,DA,TP,1608
2007-000113	R204	R-CHIP	33ohm,5%,1/16W,DA,TP,1608
2007-000113	R205	R-CHIP	33ohm,5%,1/16W,DA,TP,1608
2007-000113	R206	R-CHIP	33ohm,5%,1/16W,DA,TP,1608
2007-000113	R207	R-CHIP	33ohm,5%,1/16W,DA,TP,1608
2007-000113	R6231	R-CHIP	33ohm,5%,1/16W,DA,TP,1608
2007-000116	R238	R-CHIP	120ohm,5%,1/16W,DA,TP,1608
2007-000116	R908	R-CHIP	120ohm,5%,1/16W,DA,TP,1608
2007-000118	R231	R-CHIP	390ohm,5%,1/16W,DA,TP,1608
2007-000120	R645	R-CHIP	680ohm,5%,1/16W,DA,TP,1608
2007-000134	R511	R-CHIP	33Kohm,5%,1/16W,DA,TP,1608
2007-000134	R539	R-CHIP	33Kohm,5%,1/16W,DA,TP,1608
2007-000219	R890	R-CHIP	1.2Kohm,1%,1/16W,DA,TP,1608
2007-000219	R894	R-CHIP	1.2Kohm,1%,1/16W,DA,TP,1608
2007-000239	R244	R-CHIP	1.5Kohm,1%,1/16W,DA,TP,1608
2007-000239	R612	R-CHIP	1.5Kohm,1%,1/16W,DA,TP,1608
2007-000239	R613	R-CHIP	1.5Kohm,1%,1/16W,DA,TP,1608
2007-000309	R027	R-CHIP	10ohm,5%,1/16W,DA,TP,1608
2007-000309	R062	R-CHIP	10ohm,5%,1/16W,DA,TP,1608
2007-000309	R063	R-CHIP	10ohm,5%,1/16W,DA,TP,1608
2007-000309	R214	R-CHIP	10ohm,5%,1/16W,DA,TP,1608
2007-000309	R219	R-CHIP	10ohm,5%,1/16W,DA,TP,1608
2007-000309	R224	R-CHIP	10ohm,5%,1/16W,DA,TP,1608
2007-000309	R438	R-CHIP	10ohm,5%,1/16W,DA,TP,1608
2007-000309	R441	R-CHIP	10ohm,5%,1/16W,DA,TP,1608
2007-000309	R635	R-CHIP	10ohm,5%,1/16W,DA,TP,1608
2007-000309	R692	R-CHIP	10ohm,5%,1/16W,DA,TP,1608
2007-000309	R693	R-CHIP	10ohm,5%,1/16W,DA,TP,1608
2007-000309	RJ15	R-CHIP	10ohm,5%,1/16W,DA,TP,1608
2007-000309	RJ16	R-CHIP	10ohm,5%,1/16W,DA,TP,1608
2007-000309	RJ17	R-CHIP	10ohm,5%,1/16W,DA,TP,1608
2007-000309	RJ18	R-CHIP	10ohm,5%,1/16W,DA,TP,1608
2007-000309	RJ19	R-CHIP	10ohm,5%,1/16W,DA,TP,1608
2007-000512	R109	R-CHIP	2.4Kohm,5%,1/16W,DA,TP,1608
2007-000616	R318	R-CHIP	24Kohm,5%,1/16W,DA,TP,1608
2007-000669	R895	R-CHIP	2Kohm,1%,1/16W,DA,TP,1608
2007-000701	R891	R-CHIP	3.6Kohm,1%,1/16W,DA,TP,1608
2007-001010	R312	R-CHIP	51Kohm,5%,1/16W,DA,TP,1608
2007-001164	R314	R-CHIP	75ohm,1%,1/16W,DA,TP,1608
2007-001164	R315	R-CHIP	75ohm,1%,1/16W,DA,TP,1608
2007-001164	R316	R-CHIP	75ohm,1%,1/16W,DA,TP,1608
2007-001164	R321	R-CHIP	75ohm,1%,1/16W,DA,TP,1608
2007-001164	R325	R-CHIP	75ohm,1%,1/16W,DA,TP,1608
2007-001164	R326	R-CHIP	75ohm,1%,1/16W,DA,TP,1608
2007-001167	R007	R-CHIP	75ohm,5%,1/16W,DA,TP,1608
2007-001167	R008	R-CHIP	75ohm,5%,1/16W,DA,TP,1608

2007-001167	R009	R-CHIP	75ohm,5%,1/16W,DA,TP,1608
2007-001167	R024	R-CHIP	75ohm,5%,1/16W,DA,TP,1608
2007-001167	R067	R-CHIP	75ohm,5%,1/16W,DA,TP,1608
2007-001167	R236	R-CHIP	75ohm,5%,1/16W,DA,TP,1608
2007-001167	R619	R-CHIP	75ohm,5%,1/16W,DA,TP,1608
2007-001175	R505	R-CHIP	8.2Kohm,1%,1/16W,DA,TP,1608
2007-001175	R506	R-CHIP	8.2Kohm,1%,1/16W,DA,TP,1608
2007-002425	R6235	R-CHIP	10HM,5%,1/16W,DA,TP,1608
2007-002425	R6236	R-CHIP	10HM,5%,1/16W,DA,TP,1608
2007-002425	R6237	R-CHIP	10HM,5%,1/16W,DA,TP,1608
2007-008433	R892	R-CHIP	0.330HM,1%,1W,DA,TP,6432
2007-008433	R893	R-CHIP	0.330HM,1%,1W,DA,TP,6432
2011-000002	IC002	R-NETWORK	22ohm,5%,63mW,L,CHIP,8P,TP
2011-000002	IC003	R-NETWORK	22ohm,5%,63mW,L,CHIP,8P,TP
2011-000002	IC004	R-NETWORK	22ohm,5%,63mW,L,CHIP,8P,TP
2011-000002	IC005	R-NETWORK	22ohm,5%,63mW,L,CHIP,8P,TP
2011-000002	IC006	R-NETWORK	22ohm,5%,63mW,L,CHIP,8P,TP
2011-000002	IC007	R-NETWORK	22ohm,5%,63mW,L,CHIP,8P,TP
2011-000002	IC008	R-NETWORK	22ohm,5%,63mW,L,CHIP,8P,TP
2011-000002	IC009	R-NETWORK	22ohm,5%,63mW,L,CHIP,8P,TP
2011-000002	RA301	R-NETWORK	22ohm,5%,63mW,L,CHIP,8P,TP
2011-000002	RA302	R-NETWORK	22ohm,5%,63mW,L,CHIP,8P,TP
2011-000002	RA303	R-NETWORK	22ohm,5%,63mW,L,CHIP,8P,TP
2011-000002	RA304	R-NETWORK	22ohm,5%,63mW,L,CHIP,8P,TP
2011-000002	RA305	R-NETWORK	22ohm,5%,63mW,L,CHIP,8P,TP
2011-000002	RA306	R-NETWORK	22ohm,5%,63mW,L,CHIP,8P,TP
2011-000002	RA351	R-NETWORK	22ohm,5%,63mW,L,CHIP,8P,TP
2011-000002	RA352	R-NETWORK	22ohm,5%,63mW,L,CHIP,8P,TP
2011-000002	RA353	R-NETWORK	22ohm,5%,63mW,L,CHIP,8P,TP
2011-000002	RA354	R-NETWORK	22ohm,5%,63mW,L,CHIP,8P,TP
2011-000002	RA355	R-NETWORK	22ohm,5%,63mW,L,CHIP,8P,TP
2011-000002	RA356	R-NETWORK	22ohm,5%,63mW,L,CHIP,8P,TP
2011-000515	IC641	R-NETWORK	4.7Kohm,5%,1/16W,L,CHIP,8P,TP
2011-000515	IC642	R-NETWORK	4.7Kohm,5%,1/16W,L,CHIP,8P,TP
2011-000651	IC621	R-NETWORK	10ohm,5%,63mW,L,CHIP,8P,TP
2011-000651	IC622	R-NETWORK	10ohm,5%,63mW,L,CHIP,8P,TP
2011-000651	IC623	R-NETWORK	10ohm,5%,63mW,L,CHIP,8P,TP
2011-000651	IC624	R-NETWORK	10ohm,5%,63mW,L,CHIP,8P,TP
2011-000651	IC625	R-NETWORK	10ohm,5%,63mW,L,CHIP,8P,TP
2011-000651	IC626	R-NETWORK	10ohm,5%,63mW,L,CHIP,8P,TP
2011-000651	IC627	R-NETWORK	10ohm,5%,63mW,L,CHIP,8P,TP
2011-000651	IC628	R-NETWORK	10ohm,5%,63mW,L,CHIP,8P,TP
2011-000651	IC629	R-NETWORK	10ohm,5%,63mW,L,CHIP,8P,TP
2203-000140	C004	C-CERAMIC,CHIP	1.5nF,10%,50V,X7R,TP,1608,-
2203-000140	C008	C-CERAMIC,CHIP	1.5nF,10%,50V,X7R,TP,1608,-
2203-000140	C016	C-CERAMIC,CHIP	1.5nF,10%,50V,X7R,TP,1608,-
2203-000140	C019	C-CERAMIC,CHIP	1.5nF,10%,50V,X7R,TP,1608,-
2203-000140	C038	C-CERAMIC,CHIP	1.5nF,10%,50V,X7R,TP,1608,-
2203-000140	C538	C-CERAMIC,CHIP	1.5nF,10%,50V,X7R,TP,1608,-
2203-000140	C574	C-CERAMIC,CHIP	1.5nF,10%,50V,X7R,TP,1608,-
2203-000189	C112	C-CERAMIC,CHIP	100nF,+80-20%,25V,Y5V,TP,1608,
2203-000189	C2036	C-CERAMIC,CHIP	100nF,+80-20%,25V,Y5V,TP,1608,
2203-000189	C2037	C-CERAMIC,CHIP	100nF,+80-20%,25V,Y5V,TP,1608,
2203-000189	C2047	C-CERAMIC,CHIP	100nF,+80-20%,25V,Y5V,TP,1608,
2203-000189	C2048	C-CERAMIC,CHIP	100nF,+80-20%,25V,Y5V,TP,1608,
2203-000189	C2049	C-CERAMIC,CHIP	100nF,+80-20%,25V,Y5V,TP,1608,
2203-000189	C2050	C-CERAMIC,CHIP	100nF,+80-20%,25V,Y5V,TP,1608,
2203-000189	C2051	C-CERAMIC,CHIP	100nF,+80-20%,25V,Y5V,TP,1608,
2203-000189	C338	C-CERAMIC,CHIP	100nF,+80-20%,25V,Y5V,TP,1608,

2203-000257	C120	C-CERAMIC,CHIP	10nF,10%,50V,X7R,TP,1608
2203-000257	C122	C-CERAMIC,CHIP	10nF,10%,50V,X7R,TP,1608
2203-000257	C124	C-CERAMIC,CHIP	10nF,10%,50V,X7R,TP,1608
2203-000257	C2030	C-CERAMIC,CHIP	10nF,10%,50V,X7R,TP,1608
2203-000257	C383	C-CERAMIC,CHIP	10nF,10%,50V,X7R,TP,1608
2203-000257	C508	C-CERAMIC,CHIP	10nF,10%,50V,X7R,TP,1608
2203-000257	C623	C-CERAMIC,CHIP	10nF,10%,50V,X7R,TP,1608
2203-000257	C825	C-CERAMIC,CHIP	10nF,10%,50V,X7R,TP,1608
2203-000257	C859	C-CERAMIC,CHIP	10nF,10%,50V,X7R,TP,1608
2203-000257	C863	C-CERAMIC,CHIP	10nF,10%,50V,X7R,TP,1608
2203-000257	C866	C-CERAMIC,CHIP	10nF,10%,50V,X7R,TP,1608
2203-000257	C921	C-CERAMIC,CHIP	10nF,10%,50V,X7R,TP,1608
2203-000257	U122	C-CERAMIC,CHIP	10nF,10%,50V,X7R,TP,1608
2203-000280	C025	C-CERAMIC,CHIP	0.01nF,0.5pF,50V,NPO,TP,1608
2203-000280	C026	C-CERAMIC,CHIP	0.01nF,0.5pF,50V,NPO,TP,1608
2203-000280	C027	C-CERAMIC,CHIP	0.01nF,0.5pF,50V,NPO,TP,1608
2203-000280	C028	C-CERAMIC,CHIP	0.01nF,0.5pF,50V,NPO,TP,1608
2203-000280	C029	C-CERAMIC,CHIP	0.01nF,0.5pF,50V,NPO,TP,1608
2203-000280	C030	C-CERAMIC,CHIP	0.01nF,0.5pF,50V,NPO,TP,1608
2203-000280	C527	C-CERAMIC,CHIP	0.01nF,0.5pF,50V,NPO,TP,1608
2203-000280	C572	C-CERAMIC,CHIP	0.01nF,0.5pF,50V,NPO,TP,1608
2203-000357	C608	C-CERAMIC,CHIP	0.15nF,5%,50V,NPO,TP,1608
2203-000440	C2031	C-CERAMIC,CHIP	1nF,10%,50V,X7R,TP,1608,-
2203-000440	C2032	C-CERAMIC,CHIP	1nF,10%,50V,X7R,TP,1608,-
2203-000440	C301	C-CERAMIC,CHIP	1nF,10%,50V,X7R,TP,1608,-
2203-000440	C536	C-CERAMIC,CHIP	1nF,10%,50V,X7R,TP,1608,-
2203-000440	C537	C-CERAMIC,CHIP	1nF,10%,50V,X7R,TP,1608,-
2203-000440	C885	C-CERAMIC,CHIP	1nF,10%,50V,X7R,TP,1608,-
2203-000440	C901	C-CERAMIC,CHIP	1nF,10%,50V,X7R,TP,1608,-
2203-000440	C902	C-CERAMIC,CHIP	1nF,10%,50V,X7R,TP,1608,-
2203-000440	C905	C-CERAMIC,CHIP	1nF,10%,50V,X7R,TP,1608,-
2203-000455	C058	C-CERAMIC,CHIP	1nF,5%,50V,NPO,TP,2012
2203-000552	C225	C-CERAMIC,CHIP	0.02nF,5%,50V,NPO,TP,1608
2203-000552	C226	C-CERAMIC,CHIP	0.02nF,5%,50V,NPO,TP,1608
2203-000552	C614	C-CERAMIC,CHIP	0.02nF,5%,50V,NPO,TP,1608
2203-000552	C615	C-CERAMIC,CHIP	0.02nF,5%,50V,NPO,TP,1608
2203-000626	C922	C-CERAMIC,CHIP	0.022nF,5%,50V,NPO,TP,1608
2203-000626	C923	C-CERAMIC,CHIP	0.022nF,5%,50V,NPO,TP,1608
2203-000626	C924	C-CERAMIC,CHIP	0.022nF,5%,50V,NPO,TP,1608
2203-000726	C381	C-CERAMIC,CHIP	3.9nF,10%,50V,X7R,TP,1608,-
2203-000815	C244	C-CERAMIC,CHIP	0.033nF,5%,50V,NPO,TP,1608
2203-000815	C290	C-CERAMIC,CHIP	0.033nF,5%,50V,NPO,TP,1608
2203-000815	C291	C-CERAMIC,CHIP	0.033nF,5%,50V,NPO,TP,1608
2203-000815	C292	C-CERAMIC,CHIP	0.033nF,5%,50V,NPO,TP,1608
2203-000815	C293	C-CERAMIC,CHIP	0.033nF,5%,50V,NPO,TP,1608
2203-000815	C294	C-CERAMIC,CHIP	0.033nF,5%,50V,NPO,TP,1608
2203-000815	C295	C-CERAMIC,CHIP	0.033nF,5%,50V,NPO,TP,1608
2203-000815	C296	C-CERAMIC,CHIP	0.033nF,5%,50V,NPO,TP,1608
2203-000815	C297	C-CERAMIC,CHIP	0.033nF,5%,50V,NPO,TP,1608
2203-000815	C298	C-CERAMIC,CHIP	0.033nF,5%,50V,NPO,TP,1608
2203-000815	C299	C-CERAMIC,CHIP	0.033nF,5%,50V,NPO,TP,1608
2203-000815	C304	C-CERAMIC,CHIP	0.033nF,5%,50V,NPO,TP,1608
2203-000815	C308	C-CERAMIC,CHIP	0.033nF,5%,50V,NPO,TP,1608
2203-000815	C309	C-CERAMIC,CHIP	0.033nF,5%,50V,NPO,TP,1608
2203-000815	C310	C-CERAMIC,CHIP	0.033nF,5%,50V,NPO,TP,1608
2203-000815	C366	C-CERAMIC,CHIP	0.033nF,5%,50V,NPO,TP,1608
2203-000815	C368	C-CERAMIC,CHIP	0.033nF,5%,50V,NPO,TP,1608
2203-000815	C371	C-CERAMIC,CHIP	0.033nF,5%,50V,NPO,TP,1608
2203-000815	C373	C-CERAMIC,CHIP	0.033nF,5%,50V,NPO,TP,1608

2203-000815	C375	C-CERAMIC,CHIP	0.033nF,5%,50V,NP0,TP,1608
2203-000815	C376	C-CERAMIC,CHIP	0.033nF,5%,50V,NP0,TP,1608
2203-000815	C3A1	C-CERAMIC,CHIP	0.033nF,5%,50V,NP0,TP,1608
2203-000815	C3A2	C-CERAMIC,CHIP	0.033nF,5%,50V,NP0,TP,1608
2203-000815	C3A3	C-CERAMIC,CHIP	0.033nF,5%,50V,NP0,TP,1608
2203-000815	C3A4	C-CERAMIC,CHIP	0.033nF,5%,50V,NP0,TP,1608
2203-000815	C3A5	C-CERAMIC,CHIP	0.033nF,5%,50V,NP0,TP,1608
2203-000815	C3A6	C-CERAMIC,CHIP	0.033nF,5%,50V,NP0,TP,1608
2203-000815	C3A7	C-CERAMIC,CHIP	0.033nF,5%,50V,NP0,TP,1608
2203-000815	C3A8	C-CERAMIC,CHIP	0.033nF,5%,50V,NP0,TP,1608
2203-000815	C3A9	C-CERAMIC,CHIP	0.033nF,5%,50V,NP0,TP,1608
2203-000815	C3AA	C-CERAMIC,CHIP	0.033nF,5%,50V,NP0,TP,1608
2203-000815	C3AB	C-CERAMIC,CHIP	0.033nF,5%,50V,NP0,TP,1608
2203-000815	C3AC	C-CERAMIC,CHIP	0.033nF,5%,50V,NP0,TP,1608
2203-000815	C3AD	C-CERAMIC,CHIP	0.033nF,5%,50V,NP0,TP,1608
2203-000839	C017	C-CERAMIC,CHIP	0.39nF,5%,50V,NP0,TP,2012
2203-000839	C024	C-CERAMIC,CHIP	0.39nF,5%,50V,NP0,TP,2012
2203-000839	C037	C-CERAMIC,CHIP	0.39nF,5%,50V,NP0,TP,2012
2203-000839	C313	C-CERAMIC,CHIP	0.39nF,5%,50V,NP0,TP,2012
2203-000903	C011	C-CERAMIC,CHIP	0.0047nF,0.25pF,50V,NP0,TP,1608
2203-000903	C012	C-CERAMIC,CHIP	0.0047nF,0.25pF,50V,NP0,TP,1608
2203-000972	C005	C-CERAMIC,CHIP	47nF,10%,16V,X7R,TP,1608
2203-000972	C007	C-CERAMIC,CHIP	47nF,10%,16V,X7R,TP,1608
2203-000972	C013	C-CERAMIC,CHIP	47nF,10%,16V,X7R,TP,1608
2203-000972	C021	C-CERAMIC,CHIP	47nF,10%,16V,X7R,TP,1608
2203-000972	C379	C-CERAMIC,CHIP	47nF,10%,16V,X7R,TP,1608
2203-000972	C576	C-CERAMIC,CHIP	47nF,10%,16V,X7R,TP,1608
2203-000998	C051	C-CERAMIC,CHIP	0.047nF,5%,50V,NP0,TP,1608
2203-000998	C052	C-CERAMIC,CHIP	0.047nF,5%,50V,NP0,TP,1608
2203-000998	C086	C-CERAMIC,CHIP	0.047nF,5%,50V,NP0,TP,1608
2203-000998	C087	C-CERAMIC,CHIP	0.047nF,5%,50V,NP0,TP,1608
2203-000998	C088	C-CERAMIC,CHIP	0.047nF,5%,50V,NP0,TP,1608
2203-000998	C089	C-CERAMIC,CHIP	0.047nF,5%,50V,NP0,TP,1608
2203-000998	C093	C-CERAMIC,CHIP	0.047nF,5%,50V,NP0,TP,1608
2203-000998	C273	C-CERAMIC,CHIP	0.047nF,5%,50V,NP0,TP,1608
2203-001077	C2038	C-CERAMIC,CHIP	0.056nF,5%,50V,NP0,TP,2012
2203-001077	C2039	C-CERAMIC,CHIP	0.056nF,5%,50V,NP0,TP,2012
2203-001077	C567	C-CERAMIC,CHIP	0.056nF,5%,50V,NP0,TP,2012
2203-001077	C568	C-CERAMIC,CHIP	0.056nF,5%,50V,NP0,TP,2012
2203-001077	C571	C-CERAMIC,CHIP	0.056nF,5%,50V,NP0,TP,2012
2203-001126	C892	C-CERAMIC,CHIP	0.68nF,10%,50V,X7R,TP,1608
2203-001140	C002	C-CERAMIC,CHIP	68nF,10%,16V,X7R,TP,1608,-
2203-001140	C003	C-CERAMIC,CHIP	68nF,10%,16V,X7R,TP,1608,-
2203-001140	C006	C-CERAMIC,CHIP	68nF,10%,16V,X7R,TP,1608,-
2203-001402	C015	C-CERAMIC,CHIP	220nF,+80-20%,16V,Y5V,TP,1608
2203-001402	C020	C-CERAMIC,CHIP	220nF,+80-20%,16V,Y5V,TP,1608
2203-001402	C031	C-CERAMIC,CHIP	220nF,+80-20%,16V,Y5V,TP,1608
2203-001402	C032	C-CERAMIC,CHIP	220nF,+80-20%,16V,Y5V,TP,1608
2203-001402	C033	C-CERAMIC,CHIP	220nF,+80-20%,16V,Y5V,TP,1608
2203-001402	C034	C-CERAMIC,CHIP	220nF,+80-20%,16V,Y5V,TP,1608
2203-001402	C035	C-CERAMIC,CHIP	220nF,+80-20%,16V,Y5V,TP,1608
2203-001402	C036	C-CERAMIC,CHIP	220nF,+80-20%,16V,Y5V,TP,1608
2203-001402	C039	C-CERAMIC,CHIP	220nF,+80-20%,16V,Y5V,TP,1608
2203-001402	C047	C-CERAMIC,CHIP	220nF,+80-20%,16V,Y5V,TP,1608
2203-001402	C049	C-CERAMIC,CHIP	220nF,+80-20%,16V,Y5V,TP,1608
2203-001402	C848	C-CERAMIC,CHIP	220nF,+80-20%,16V,Y5V,TP,1608
2203-001402	C849	C-CERAMIC,CHIP	220nF,+80-20%,16V,Y5V,TP,1608
2203-001630	C503	C-CERAMIC,CHIP	330nF,+80-20%,16V,Y5V,TP,1608
2203-001630	C506	C-CERAMIC,CHIP	330nF,+80-20%,16V,Y5V,TP,1608

2203-005005	U124	C-CERAMIC,CHIP	100nF, 10%, 16V, X7R, TP, 1608
2203-005005	U125	C-CERAMIC,CHIP	100nF, 10%, 16V, X7R, TP, 1608
2203-005005	U126	C-CERAMIC,CHIP	100nF, 10%, 16V, X7R, TP, 1608
2203-005065	C249	C-CERAMIC,CHIP	1000nF, +80-20%, 10V, Y5V, TP, 1608
2203-005065	C261	C-CERAMIC,CHIP	1000nF, +80-20%, 10V, Y5V, TP, 1608
2203-005065	C264	C-CERAMIC,CHIP	1000nF, +80-20%, 10V, Y5V, TP, 1608
2203-006017	C221	C-CERAMIC,CHIP	0.56NF, 5%, 50V, COG, TP, 1608
2203-006017	C224	C-CERAMIC,CHIP	0.56NF, 5%, 50V, COG, TP, 1608
2203-006036	C018	C-CERAMIC,CHIP	680NF, +80-20%, 16V, Y5V, TP, 1608
2203-006036	C067	C-CERAMIC,CHIP	680NF, +80-20%, 16V, Y5V, TP, 1608
2203-006036	C068	C-CERAMIC,CHIP	680NF, +80-20%, 16V, Y5V, TP, 1608
2402-000108	C552	C-AL, SMD	10uF, 20%, 16V, WT, TP, 4.3x4.3x5.4
2402-000108	C561	C-AL, SMD	10uF, 20%, 16V, WT, TP, 4.3x4.3x5.4
2402-000135	C092	C-AL, SMD	22uF, 20%, 16V, GP, TP, 5.3x5.3x5.4
2402-000135	C2000	C-AL, SMD	22uF, 20%, 16V, GP, TP, 5.3x5.3x5.4
2402-000135	C2013	C-AL, SMD	22uF, 20%, 16V, GP, TP, 5.3x5.3x5.4
2402-000135	C218	C-AL, SMD	22uF, 20%, 16V, GP, TP, 5.3x5.3x5.4
2402-000135	C223	C-AL, SMD	22uF, 20%, 16V, GP, TP, 5.3x5.3x5.4
2402-000135	C231	C-AL, SMD	22uF, 20%, 16V, GP, TP, 5.3x5.3x5.4
2402-000135	C236	C-AL, SMD	22uF, 20%, 16V, GP, TP, 5.3x5.3x5.4
2402-000135	C250	C-AL, SMD	22uF, 20%, 16V, GP, TP, 5.3x5.3x5.4
2402-000135	C251	C-AL, SMD	22uF, 20%, 16V, GP, TP, 5.3x5.3x5.4
2402-000135	C252	C-AL, SMD	22uF, 20%, 16V, GP, TP, 5.3x5.3x5.4
2402-000135	C254	C-AL, SMD	22uF, 20%, 16V, GP, TP, 5.3x5.3x5.4
2402-000135	C258	C-AL, SMD	22uF, 20%, 16V, GP, TP, 5.3x5.3x5.4
2402-000135	C269	C-AL, SMD	22uF, 20%, 16V, GP, TP, 5.3x5.3x5.4
2402-000135	C284	C-AL, SMD	22uF, 20%, 16V, GP, TP, 5.3x5.3x5.4
2402-000135	C320	C-AL, SMD	22uF, 20%, 16V, GP, TP, 5.3x5.3x5.4
2402-000135	C339	C-AL, SMD	22uF, 20%, 16V, GP, TP, 5.3x5.3x5.4
2402-000135	C382	C-AL, SMD	22uF, 20%, 16V, GP, TP, 5.3x5.3x5.4
2402-000135	C591	C-AL, SMD	22uF, 20%, 16V, GP, TP, 5.3x5.3x5.4
2402-000135	C592	C-AL, SMD	22uF, 20%, 16V, GP, TP, 5.3x5.3x5.4
2402-000170	C509	C-AL, SMD	1uF, 20%, 50V, GP, TP, 4.3x4.3x5.4,
2402-000170	C828	C-AL, SMD	1uF, 20%, 50V, GP, TP, 4.3x4.3x5.4,
2402-000170	C870	C-AL, SMD	1uF, 20%, 50V, GP, TP, 4.3x4.3x5.4,
2402-000173	C343	C-AL, SMD	4.7uF, 20%, 35V, GP, TP, 4.3x4.3x5.
2402-000173	C351	C-AL, SMD	4.7uF, 20%, 35V, GP, TP, 4.3x4.3x5.
2402-000173	C358	C-AL, SMD	4.7uF, 20%, 35V, GP, TP, 4.3x4.3x5.
2402-000173	C553	C-AL, SMD	4.7uF, 20%, 35V, GP, TP, 4.3x4.3x5.
2402-000173	C554	C-AL, SMD	4.7uF, 20%, 35V, GP, TP, 4.3x4.3x5.
2402-000173	C555	C-AL, SMD	4.7uF, 20%, 35V, GP, TP, 4.3x4.3x5.
2402-000173	C556	C-AL, SMD	4.7uF, 20%, 35V, GP, TP, 4.3x4.3x5.
2402-000173	C557	C-AL, SMD	4.7uF, 20%, 35V, GP, TP, 4.3x4.3x5.
2402-000173	C563	C-AL, SMD	4.7uF, 20%, 35V, GP, TP, 4.3x4.3x5.
2402-000173	C564	C-AL, SMD	4.7uF, 20%, 35V, GP, TP, 4.3x4.3x5.
2402-000176	C009	C-AL, SMD	10uF, 20%, 16V, GP, TP, 4.3x4.3x5.4
2402-000176	C014	C-AL, SMD	10uF, 20%, 16V, GP, TP, 4.3x4.3x5.4
2402-000176	C022	C-AL, SMD	10uF, 20%, 16V, GP, TP, 4.3x4.3x5.4
2402-000176	C042	C-AL, SMD	10uF, 20%, 16V, GP, TP, 4.3x4.3x5.4
2402-000176	C043	C-AL, SMD	10uF, 20%, 16V, GP, TP, 4.3x4.3x5.4
2402-000176	C044	C-AL, SMD	10uF, 20%, 16V, GP, TP, 4.3x4.3x5.4
2402-000176	C045	C-AL, SMD	10uF, 20%, 16V, GP, TP, 4.3x4.3x5.4
2402-000176	C046	C-AL, SMD	10uF, 20%, 16V, GP, TP, 4.3x4.3x5.4
2402-000176	C113	C-AL, SMD	10uF, 20%, 16V, GP, TP, 4.3x4.3x5.4
2402-000176	C115	C-AL, SMD	10uF, 20%, 16V, GP, TP, 4.3x4.3x5.4
2402-000176	C117	C-AL, SMD	10uF, 20%, 16V, GP, TP, 4.3x4.3x5.4
2402-000176	C119	C-AL, SMD	10uF, 20%, 16V, GP, TP, 4.3x4.3x5.4
2402-000176	C121	C-AL, SMD	10uF, 20%, 16V, GP, TP, 4.3x4.3x5.4
2402-000176	C123	C-AL, SMD	10uF, 20%, 16V, GP, TP, 4.3x4.3x5.4

2402-000176	C125	C-AL, SMD	10uF, 20%, 16V, GP, TP, 4. 3x4. 3x5. 4
2402-000176	C241	C-AL, SMD	10uF, 20%, 16V, GP, TP, 4. 3x4. 3x5. 4
2402-000176	C502	C-AL, SMD	10uF, 20%, 16V, GP, TP, 4. 3x4. 3x5. 4
2402-000176	C545	C-AL, SMD	10uF, 20%, 16V, GP, TP, 4. 3x4. 3x5. 4
2402-000176	C546	C-AL, SMD	10uF, 20%, 16V, GP, TP, 4. 3x4. 3x5. 4
2402-000176	C566	C-AL, SMD	10uF, 20%, 16V, GP, TP, 4. 3x4. 3x5. 4
2402-000176	C628	C-AL, SMD	10uF, 20%, 16V, GP, TP, 4. 3x4. 3x5. 4
2402-000179	C001	C-AL, SMD	47uF, 20%, 16V, GP, TP, 6. 6x6. 6x5. 4
2402-000179	C066	C-AL, SMD	47uF, 20%, 16V, GP, TP, 6. 6x6. 6x5. 4
2402-000179	C200	C-AL, SMD	47uF, 20%, 16V, GP, TP, 6. 6x6. 6x5. 4
2402-000179	C289	C-AL, SMD	47uF, 20%, 16V, GP, TP, 6. 6x6. 6x5. 4
2402-000179	C311	C-AL, SMD	47uF, 20%, 16V, GP, TP, 6. 6x6. 6x5. 4
2402-000179	C577	C-AL, SMD	47uF, 20%, 16V, GP, TP, 6. 6x6. 6x5. 4
2402-000179	C603	C-AL, SMD	47uF, 20%, 16V, GP, TP, 6. 6x6. 6x5. 4
2402-000179	C611	C-AL, SMD	47uF, 20%, 16V, GP, TP, 6. 6x6. 6x5. 4
2402-001018	C504	C-AL, SMD	470nF, 20%, 50V, GP, TP, 4. 3x4. 3x5.
2402-001018	C505	C-AL, SMD	470nF, 20%, 50V, GP, TP, 4. 3x4. 3x5.
2402-001019	C616	C-AL, SMD	2. 2uF, 20%, 35V, GP, TP, 3. 3x3. 3x5.
2402-001042	C041	C-AL, SMD	100uF, 20%, 16V, GP, TP, 6. 6x6. 6x5. 4mm
2402-001042	C2026	C-AL, SMD	100uF, 20%, 16V, GP, TP, 6. 6x6. 6x5. 4mm
2402-001042	C247	C-AL, SMD	100uF, 20%, 16V, GP, TP, 6. 6x6. 6x5. 4mm
2402-001042	C281	C-AL, SMD	100uF, 20%, 16V, GP, TP, 6. 6x6. 6x5. 4mm
2402-001042	C336	C-AL, SMD	100uF, 20%, 16V, GP, TP, 6. 6x6. 6x5. 4mm
2402-001042	C392	C-AL, SMD	100uF, 20%, 16V, GP, TP, 6. 6x6. 6x5. 4mm
2402-001042	C406	C-AL, SMD	100uF, 20%, 16V, GP, TP, 6. 6x6. 6x5. 4mm
2402-001042	C510	C-AL, SMD	100uF, 20%, 16V, GP, TP, 6. 6x6. 6x5. 4mm
2402-001042	C511	C-AL, SMD	100uF, 20%, 16V, GP, TP, 6. 6x6. 6x5. 4mm
2402-001042	C535	C-AL, SMD	100uF, 20%, 16V, GP, TP, 6. 6x6. 6x5. 4mm
2402-001042	C575	C-AL, SMD	100uF, 20%, 16V, GP, TP, 6. 6x6. 6x5. 4mm
2402-001042	C604	C-AL, SMD	100uF, 20%, 16V, GP, TP, 6. 6x6. 6x5. 4mm
2402-001042	C621	C-AL, SMD	100uF, 20%, 16V, GP, TP, 6. 6x6. 6x5. 4mm
2402-001042	C822	C-AL, SMD	100uF, 20%, 16V, GP, TP, 6. 6x6. 6x5. 4mm
2402-001042	C861	C-AL, SMD	100uF, 20%, 16V, GP, TP, 6. 6x6. 6x5. 4mm
2402-001042	C889	C-AL, SMD	100uF, 20%, 16V, GP, TP, 6. 6x6. 6x5. 4mm
2402-001042	C891	C-AL, SMD	100uF, 20%, 16V, GP, TP, 6. 6x6. 6x5. 4mm
2402-001042	C903	C-AL, SMD	100uF, 20%, 16V, GP, TP, 6. 6x6. 6x5. 4mm
2402-001042	C904	C-AL, SMD	100uF, 20%, 16V, GP, TP, 6. 6x6. 6x5. 4mm
2402-001042	C906	C-AL, SMD	100uF, 20%, 16V, GP, TP, 6. 6x6. 6x5. 4mm
2402-001042	C907	C-AL, SMD	100uF, 20%, 16V, GP, TP, 6. 6x6. 6x5. 4mm
2402-001042	U140	C-AL, SMD	100uF, 20%, 16V, GP, TP, 6. 6x6. 6x5. 4mm
2402-001086	U137	C-AL, SMD	100UF, 20%, 16V, WT, TP, 6. 6X6. 6X5. 3
2402-001155	C288	C-AL, SMD	47UF, 20%, 16V, WT, TP, 6. 3X5. 2MM
2402-001155	C329	C-AL, SMD	47UF, 20%, 16V, WT, TP, 6. 3X5. 2MM
2409-001046	C2056	C-ORGANIC	39UF, 20%, 16V, WT, TP, 6. 3X6 MM, -
2409-001046	C809	C-ORGANIC	39UF, 20%, 16V, WT, TP, 6. 3X6 MM, -
2409-001046	C841	C-ORGANIC	39UF, 20%, 16V, WT, TP, 6. 3X6 MM, -
2409-001046	C845	C-ORGANIC	39UF, 20%, 16V, WT, TP, 6. 3X6 MM, -
2409-001046	C847	C-ORGANIC	39UF, 20%, 16V, WT, TP, 6. 3X6 MM, -
2409-001046	C851	C-ORGANIC	39UF, 20%, 16V, WT, TP, 6. 3X6 MM, -
2409-001046	C857	C-ORGANIC	39UF, 20%, 16V, WT, TP, 6. 3X6 MM, -
2409-001046	U127	C-ORGANIC	39UF, 20%, 16V, WT, TP, 6. 3X6 MM, -
2409-001049	C2042	C-ORGANIC	47UF, 20%, 6. 3V, FX, TP, 5X5. 9MM, -
2409-001049	C2052	C-ORGANIC	47UF, 20%, 6. 3V, FX, TP, 5X5. 9MM, -
2409-001049	C2053	C-ORGANIC	47UF, 20%, 6. 3V, FX, TP, 5X5. 9MM, -
2409-001049	C2054	C-ORGANIC	47UF, 20%, 6. 3V, FX, TP, 5X5. 9MM, -
2409-001049	C2055	C-ORGANIC	47UF, 20%, 6. 3V, FX, TP, 5X5. 9MM, -
2409-001049	C810	C-ORGANIC	47UF, 20%, 6. 3V, FX, TP, 5X5. 9MM, -
2409-001049	C813	C-ORGANIC	47UF, 20%, 6. 3V, FX, TP, 5X5. 9MM, -
2409-001049	C826	C-ORGANIC	47UF, 20%, 6. 3V, FX, TP, 5X5. 9MM, -

2409-001049	C827	C-ORGANIC	47UF,20%,6.3V,FX,TP,5X5.9MM,-	
2409-001049	C867	C-ORGANIC	47UF,20%,6.3V,FX,TP,5X5.9MM,-	
2409-001076	U141	C-ORGANIC	15UF,20%,16V,WT,TP,5X5.9MM,1.4	
2503-001018	IC111	C-NETWORK	15PFX4,10%,50V,-	
2503-001018	IC112	C-NETWORK	15PFX4,10%,50V,-	
2503-001018	IC113	C-NETWORK	15PFX4,10%,50V,-	
2503-001018	IC114	C-NETWORK	15PFX4,10%,50V,-	
2503-001018	IC115	C-NETWORK	15PFX4,10%,50V,-	
2503-001018	IC116	C-NETWORK	15PFX4,10%,50V,-	
2503-001018	IC117	C-NETWORK	15PFX4,10%,50V,-	
2503-001018	IC118	C-NETWORK	15PFX4,10%,50V,-	
2503-001018	IC119	C-NETWORK	15PFX4,10%,50V,-	
2503-001018	IC120	C-NETWORK	15PFX4,10%,50V,-	
2503-001018	IC121	C-NETWORK	15PFX4,10%,50V,-	
2503-001018	IC122	C-NETWORK	15PFX4,10%,50V,-	
2703-000398	L008	INDUCTOR-SMD	10uH,10%,3.2x2.5x2.2mm	
2703-000398	L611	INDUCTOR-SMD	10uH,10%,3.2x2.5x2.2mm	
2703-001778	L007	INDUCTOR-SMD	3.3UH,20%,3.2X2.5X2.2MM	
2703-001778	L201	INDUCTOR-SMD	3.3UH,20%,3.2X2.5X2.2MM	
2703-001778	L202	INDUCTOR-SMD	3.3UH,20%,3.2X2.5X2.2MM	
2703-001778	L203	INDUCTOR-SMD	3.3UH,20%,3.2X2.5X2.2MM	
2703-001778	L204	INDUCTOR-SMD	3.3UH,20%,3.2X2.5X2.2MM	
2703-001778	L206	INDUCTOR-SMD	3.3UH,20%,3.2X2.5X2.2MM	
2703-001778	L207	INDUCTOR-SMD	3.3UH,20%,3.2X2.5X2.2MM	
2703-001778	L208	INDUCTOR-SMD	3.3UH,20%,3.2X2.5X2.2MM	
2703-001778	L209	INDUCTOR-SMD	3.3UH,20%,3.2X2.5X2.2MM	
2703-001778	L555	INDUCTOR-SMD	3.3UH,20%,3.2X2.5X2.2MM	
2703-001778	L612	INDUCTOR-SMD	3.3UH,20%,3.2X2.5X2.2MM	
2703-001778	L613	INDUCTOR-SMD	3.3UH,20%,3.2X2.5X2.2MM	
2703-001778	I620	INDUCTOR-SMD	3.3UH,20%,3.2X2.5X2.2MM	
2703-002327	L540	INDUCTOR-SMD	3.9UH,55,3.2X2.5X2.2MM	
2703-002327	L541	INDUCTOR-SMD	3.9UH,55,3.2X2.5X2.2MM	
2704-000001	FT935	INDUCTOR-SMD-ARRAY	4000HM,50V,0.5A,-,0.30HM,-25T085C	
2704-000001	FT936	INDUCTOR-SMD-ARRAY	4000HM,50V,0.5A,-,0.30HM,-25T085C	
2704-000004	FT937	INDUCTOR-SMD-ARRAY	2000HM,50V,0.5A,-,0.20HM,-25CT0+85C	
2801-003667	X201	CRYSTAL-SMD	14.3182MHZ,50PPM,28-AAN,16,500HM,TP	
2801-003843	X511	CRYSTAL-SMD	18.432MHZ,30ppm,28-AAN,20pF,50ohm,TP	
2801-004004	X401	CRYSTAL-SMD	20.25MHz,20ppm,28-AAN,13pF,25ohm,TP	
2801-004117	X601	CRYSTAL-SMD	6MHZ,30PPM,28-ABX,20PF,1500HM,TP	
2901-001114	FT101	FILTER-EMI SMD	25VDC,2.0ADC,-,100nF,3.2x1.6x1	
2901-001114	FT281	FILTER-EMI SMD	25VDC,2.0ADC,-,100nF,3.2x1.6x1	
2901-001114	FT901	FILTER-EMI SMD	25VDC,2.0ADC,-,100nF,3.2x1.6x1	
2901-001114	FT902	FILTER-EMI SMD	25VDC,2.0ADC,-,100nF,3.2x1.6x1	
2901-001114	FT903	FILTER-EMI SMD	25VDC,2.0ADC,-,100nF,3.2x1.6x1	
2901-001114	FT904	FILTER-EMI SMD	25VDC,2.0ADC,-,100nF,3.2x1.6x1	
2901-001114	FT923	FILTER-EMI SMD	25VDC,2.0ADC,-,100nF,3.2x1.6x1	
2901-001114	R293	FILTER-EMI SMD	25VDC,2.0ADC,-,100nF,3.2x1.6x1	
3301-001145	FT211	CORE-FERRITE BEAD	AB,4.5x1.6x1.6mm,-,-	SNA
3301-001145	FT303	CORE-FERRITE BEAD	AB,4.5x1.6x1.6mm,-,-	SNA
3301-001145	FT304	CORE-FERRITE BEAD	AB,4.5x1.6x1.6mm,-,-	SNA
3301-001145	FT814	CORE-FERRITE BEAD	AB,4.5x1.6x1.6mm,-,-	SNA
3301-001145	FT815	CORE-FERRITE BEAD	AB,4.5x1.6x1.6mm,-,-	SNA
3301-001145	FT816	CORE-FERRITE BEAD	AB,4.5x1.6x1.6mm,-,-	SNA
3301-001145	FT817	CORE-FERRITE BEAD	AB,4.5x1.6x1.6mm,-,-	SNA
3301-001145	FT818	CORE-FERRITE BEAD	AB,4.5x1.6x1.6mm,-,-	SNA
3301-001145	FT821	CORE-FERRITE BEAD	AB,4.5x1.6x1.6mm,-,-	SNA
3301-001145	FT822	CORE-FERRITE BEAD	AB,4.5x1.6x1.6mm,-,-	SNA
3301-001145	FT824	CORE-FERRITE BEAD	AB,4.5x1.6x1.6mm,-,-	SNA
3301-001145	FT825	CORE-FERRITE BEAD	AB,4.5x1.6x1.6mm,-,-	SNA

3301-001145	FT851	CORE-FERRITE BEAD	AB,4.5x1.6x1.6mm,-,-	SNA
3301-001145	FT852	CORE-FERRITE BEAD	AB,4.5x1.6x1.6mm,-,-	SNA
3301-001145	FT927	CORE-FERRITE BEAD	AB,4.5x1.6x1.6mm,-,-	SNA
3301-001145	FT928	CORE-FERRITE BEAD	AB,4.5x1.6x1.6mm,-,-	SNA
3301-001145	FT929	CORE-FERRITE BEAD	AB,4.5x1.6x1.6mm,-,-	SNA
3301-001145	U142	CORE-FERRITE BEAD	AB,4.5x1.6x1.6mm,-,-	SNA
3301-001605	FT925	CORE-FERRITE BEAD	AB,3600HM,2.0X1.2X1.2MM,100MA,TP,FERRITE,0.50HM	SNA
3301-001605	FT926	CORE-FERRITE BEAD	AB,3600HM,2.0X1.2X1.2MM,100MA,TP,FERRITE,0.50HM	SNA
3301-001605	FT930	CORE-FERRITE BEAD	AB,3600HM,2.0X1.2X1.2MM,100MA,TP,FERRITE,0.50HM	SNA
3301-001605	FT931	CORE-FERRITE BEAD	AB,3600HM,2.0X1.2X1.2MM,100MA,TP,FERRITE,0.50HM	SNA
3301-001605	FT932	CORE-FERRITE BEAD	AB,3600HM,2.0X1.2X1.2MM,100MA,TP,FERRITE,0.50HM	SNA
3301-001605	FT933	CORE-FERRITE BEAD	AB,3600HM,2.0X1.2X1.2MM,100MA,TP,FERRITE,0.50HM	SNA
3301-001605	FT934	CORE-FERRITE BEAD	AB,3600HM,2.0X1.2X1.2MM,100MA,TP,FERRITE,0.50HM	SNA
3704-000249	IC620_SOCKET	SOCKET-IC	32P,PLCC,SN,1.27mm	
3711-000556	CN701	CONNECTOR-HEADER	BOX,12P,1R,1.25mm,SMD-A,SN	SNA
3711-000922	CN501	CONNECTOR-HEADER	BOX,4P,1R,1.25mm,SMD-A,SN	
3711-002046	CNJ1G	CONNECTOR-HEADER	3WALL,12P,1R,1.25mm,SMD-S,SN	SNA
3711-002049	CN754	CONNECTOR-HEADER	BOX,6P,1R,1.25mm,SMD-A,SN	SNA
3711-002127	CN878	CONNECTOR-HEADER	BOX,8P,1R,1.25mm,SMD-A,SN	SNA
3711-003161	CN901	CONNECTOR-HEADER	BOX,20P,1R,1.25mm,ANGLE,SN	
3711-004130	CN505_1	CONNECTOR-HEADER	BOX,31P,2R,0.625mm,SMD-A,AUF	
3711-004130	CN920_1	CONNECTOR-HEADER	BOX,31P,2R,0.625mm,SMD-A,AUF	
3711-004933	CN502	CONNECTOR-HEADER	BOX,3P,1R,1.25MM,SMD-A,SN,WHT	SNA
3711-004933	CN706_1	CONNECTOR-HEADER	BOX,3P,1R,1.25MM,SMD-A,SN,WHT	SNA
BN27-00009A	L806	COIL CHOKE	SMD 12X12X6,EOS,33UH,15%,-,0.12 MAX,2A,DR10X5.0MM,18.5TS,12X12X6,1.8MM,1UEW 0.	
BN27-00010A	L805	COIL CHOKE	-,NK17NS,100UH,10%,-,0.7 MAX,6A,DR5.8X4.5MM,59.5TS,6.0X5.2X4.5MM,1.8MM,1UEW 0.	
BN27-00010A	L830	COIL CHOKE	-,NK17NS,100UH,10%,-,0.7 MAX,6A,DR5.8X4.5MM,59.5TS,6.0X5.2X4.5MM,1.8MM,1UEW 0.	
BN27-20001A	L807	COIL-CHOKE	-,53.0UH,20%,DR10*5,-,-,-,0.18ohm,-,-,-,TRAY	
BN27-20001A	L818	COIL-CHOKE	-,53.0UH,20%,DR10*5,-,-,-,0.18ohm,-,-,-,TRAY	
BN41-00186A	MP1.0	PCB MAIN	MB15EO,FR4,6L,175X181X1.23,MB15EO	SNA
BN91-00567K	-	ASSY LCD	ES15/MB15,S3	SNA
BN07-00111A	CIS	LCD	LTM150XH-L06,CZB,6BIT_FRC,331.6*254.76*12.5,16.19M,-,0.297*0.297,-,-,AMLCD/1 LV	
BN92-00503A	-	ASSY BOX	LW15S13WX/XEC,SESA,SPAIN	SNA
BH68-00329A	CIS	LABEL BAR CODE	ALL,MPR11,DOM,EXPORT,ART-PAPER 90G,-,-,-,-,WHT,-,-	SNA
BH75-10529A	CIS	UNIT-HANDLE PACKING	LXA410TLMU,PE,-,WHITE,-	SNA
BN72-60001A	CIS	LEVER TOP	LSD210TL,PE-LD,WHITE,TFT_LCD	SNA
BN72-60002A	CIS	LEVER BOTTOM	LSD210TL,PE-LD,WHITE,TFT-LCD	SNA
BN69-00341A	CIS	BOX	LW15S13C,GUJU,CB-SW4,YEL,A-1,L523*W415*H90	SNA
BN92-00506A	-	ASSY P/MATERIAL	MB15EO	SNA
0203-001100	CIS	TAPE-OPP MASKING	OPP/W75/CLR,TO.05,W75,L800000,CLR	SNA
BH69-00256C	CIS	PAD-PACKING-EDGE	MV940,B400,W200,L2030,-,-,YEL,-,-	SNA
BH69-00260A	CIS	BAG AIR	DP17L,PE,0.2,1800,1000,NATURAL,-	SNA
BH69-30002C	CIS	BAG-PE	LDPE,TO.05,W2400,NO_PRINT	SNA
BH69-30348C	CIS	BAG-PE	HDPE,TO.02,W350*L430,Y,-,CGB51	SNA
BH69-30355E	CIS	BAG-PE/N	NK15,PE FOAM,0.5,650,650,NTR	SNA
BH69-30360A	CIS	BAG-AIR	HDPE,TO.2,W1000*L1800,N,-,ALL	SNA
BH69-40380A	CIS	PACKING-PAD	DW-2,500X2200X200,-,CGK5527	SNA
BN69-00274A	CIS	CUSHION	RB15,EPS,-,-,-,-,M50	SNA
BN69-00293F	CIS	PALLET-PACKING	MB15,STEEL,1290,1080,100	SNA
BN92-00578T	-	ASSY ACCESSORY	LW15S13WX/XEC,SESA,SPAIN	SNA
BN59-00225A	CIS	REMOCON	-,TM71,NIKE,41,GR20,BLUE,PAL,-,-,-,-	
BN96-00145T	CIS	ASSY ACCESSORY	LW15S13WX/XEC,SESA,SPAIN	
0203-000214	CIS	TAPE-OPP MASKING	OPP/W50/CLR,TO.05,W50,L400000,	SNA
4301-000121	CIS	BATTERY-MN	1.5V,-,AAA,10.5x44.5m,HOLDER	SNA
BH39-10339H	CIS	CBF POWER CORD	DET,H05VV-F,250V/10,16A,BLK,25	
BH39-40355W	CIS	CBF-HARNES	-,2000MM,IVORY,-,-,-	
BH69-30348D	CIS	BAG-PE	LDPE,TO.05,W240*L356,Page 493	SNA
BN39-00043A	CIS	CBF SIGNAL	DETACHABLE,-,15P/15P,-,-,-	
BN96-00145Y	CIS	ASSY ACCESSORY	211MP,DOMESTIC,KOREA	

0203-000214	CIS	TAPE-OPP MASKING	OPP/W50/CLR, TO .05, W50, L400000,	SNA
6801-001009	CIS	CARD-WARRANTY	EUROPE (12), 8	SNA
6801-001014	CIS	CARD-REGISTRATION	XEU, ENG, MOJO100, L150, W392, -, -	SNA
6801-001015	CIS	CARD-REGISTRATION	XEG, GERMAN, MOJO100, L150, W392, -, -	SNA
6801-001016	CIS	CARD-REGISTRATION	XEF, FRENCH, MOJO100, L150, W392, -, -	SNA
6801-001017	CIS	CARD-REGISTRATION	XEC, SPANISH, MOJO100, L150, W392, -, -	SNA
6801-001019	CIS	CARD-REGISTRATION	XEN, DUTCH, MOJO100, L150, W392, -, -	SNA
6801-001020	CIS	CARD-REGISTRATION	XEP, PORTUGAL, MOJO100, L150, W392, -, -	SNA
BH69-30348D	CIS	BAG-PE	LDPE, TO .05, W240*L356, Y, -, CMG73	SNA
BN68-00281D	CIS	MANUAL USERS	LW15S13C, SAMSUNG, E/F/S/G/P/I/SW, EUROPE, MOJO100G	SNA
BN92-00619J	-	ASSY LABEL	LW15S13CX/XEC	SNA
AA68-50502A	CIS	LABEL-CONFORMATION	W/P100(G), CTV, ITALY, 170x110, BL	SNA
BN68-00267B	CIS	LABEL RATING	MB15EO, EDC, PE, TO .05, 65, 79, PE NATURE	SNA
S7-LW15S13CX/XEC	-	4	LTM150XH-L06 ZPD	-
BN90-00316A	-	ASSY COVER FRONT	MB15NO	SNA
BN90-00255A	CIS	ASSY COVER FRONT	RB15, -, ABS HB, -, SILVER, -, -, -	
6003-000259	CIS	SCREW-TAPTITE	BH, +, B, M3, L8, ZPC(YEL), SWRCH18A	SNA
BN59-00282B	CIS	SPEAKER SYSTEM	MINERVA, 3W, 46C46X20MM, WIRE: 395MM+CORE	
BN59-00283B	CIS	SPEAKER SYSTEM	MINERVA, 3W, 46C46X20MM, WIRE: 110MM+CORE	
BN59-00287A	CIS	BOARD-FUNCTION ASS'Y	MB15UO, CT5000-0610, FUNCTION ASS'Y	SNA
BN59-00344A	CIS	BOARD-PHONE-JACK ASS'Y	MB15EO, CT5000-1090, PHONE-JACK ASS'Y	SNA
BN61-00082A	CIS	BRACKET-SPRING-STAND	RB15, SUS, TO .5, -, -, -	SNA
BN63-00172A	CIS	COVER-FRONT	RB15, ABS, -, -, -, HB, -, BK08, SILVER SPRAY	SNA
BN63-00175A	CIS	COVER-LENS	RB15, ABS, -, -, -, HB, -, IV16, NONE, 1.5	SNA
BN64-00031A	CIS	BADGE-BRAND	RB15AS, AL, T1.4, 6.3, 40.1, -, SILVER, -	SNA
BN64-00056A	CIS	KNOB-POWER	RB15, PC, -, -, -, HB, CLEAR, -, NI-CR	
BN64-00057A	CIS	KNOB-FUNCTION	RB15, ABS+PC, -, -, -, HB, BK08, -, NONE, 1.5	
BN67-00048A	CIS	LENS-IR	RB15, ACRYL, CLEAR, -, 1.5, -, HALF-MIRROR	SNA
BN67-00054A	CIS	LENS-LED	RB15, ACRYL, CLEAR, 1	
BN90-00318A	-	ASSY STAND	MB15NO	SNA
BN90-00257A	CIS	ASSY STAND	RB15, -, ABD HB, -, -, -, -	
6001-001612	CIS	SCREW-MACHINE	CH, +, M2, L3.5, ZPC(BLK), SWRCH18A, FP, -	
6003-001347	CIS	SCREW-TAPTITE	FH, +, B, M4, L16, ZPC(YEL), SWRCH18A, -	
BN61-00158A	CIS	BRACKET-STAND	MINERVA, STS 420J2, T2.0	SNA
BN63-00176A	CIS	COVER-STAND	RB15, ABS, -, -, -, HB, -, BK08, HB, 1.5	SNA
BN73-60002A	CIS	RUBBER-FOOT	CY15PO, SPONGE, -, -, -, BL, -, -, -	SNA
BN90-00258A	CIS	ASSY HINGE	RB15, -, AL, -, -, -, DIE-CASTING	SNA
BN90-00362A	-	ASSY COVER REAR	MB15EO	SNA
6003-001246	C/F+C/R	SCREW-TAPTITE	FH, +, B, M3, L10, NI PLT, SWRCH18A	SNA
BN96-00038C	CIS	ASSY COVER P-REAR	MB15EO, EUROPE, ABS HB, SVM-1207, PAL	
BN61-00092A	CIS	BRACKET-PIN	RB15, CU+ZN, TO .23, 35MM	SNA
BN63-00173A	CIS	COVER-REAR	RB15, ABS, -, -, -, HB, -, BK08, SILVER SPRAY	SNA
BN63-00199A	CIS	COVER-HANDLE	RB15, ABS, HB, BK08, HB, 1.5	SNA
BN91-00386D	-	ASSY MISC-ADAPTOR	NK15SO	SNA
BN44-00063A	CIS	ADAPTOR	AD-4914N, EOS17, 100-240VAC, 47 - 63 HZ, +14VDC, 3.5A, -, 49W, -, 0 TO +40 C, 120*63*31, SA	
BN91-00395A	-	ASSY SHIELD	MB15NO	SNA
6003-000117	SH/PCB+C/F	SCREW-TAPTITE	BH, +, B, M3, L6, ZPC(YEL), SWRCH18A	SNA
6003-000117	SH/PCB+IN/PCB	SCREW-TAPTITE	BH, +, B, M3, L6, ZPC(YEL), SWRCH18A	SNA
6003-000117	SH/PCB+M/PCB	SCREW-TAPTITE	BH, +, B, M3, L6, ZPC(YEL), SWRCH18A	SNA
BN02-00010A	CIS	TAPE ETC	MINERVA, AL-TAPE, 0.07MM, 60MM, 80MM, SILVER, DK-100-60-80	SNA
BN02-00017A	CIS	TAPE ETC	MB15ES, DK101, COPPER, 0.13MM, 80MM, 80MM, GOLD, DK-101-80-80	SNA
BN59-00304A	CIS	BOARD-INPUT ASS'Y	MB15EO, INPUT ASS'Y	SNA
BN90-00256B	CIS	ASSY SHIELD-PCB	MB15EO, EUROPE, SECC TO .5	SNA
BN63-00177A	CIS	SHIELD-PCB	RB15, SECC, TO .5, -, -, -	SNA
BN63-00412A	CIS	GASKET	MB15VO, CONDUCTIVE FABRIC, 1MM, 8MM, 58MM, GRAY, 71TFSK 8-1-58-13-D, 71TFSK 8-1-58-13-D	SNA
BN63-00417A	CIS	GASKET	MINERVA, CONDUCTIVE FABRIC, 4MM, 10MM, 45MM, GRAY, 71TSSK 10-4-45-13, 71TSSK 10-4-45-13	SNA
BN63-00515A	CIS	GASKET	MB15ES, CONDUCTIVE FABRIC, 4MM, 10MM, 25MM, GRAY, 71TSSK-10-4-25-13, SHIELD FORM	SNA
BN71-00022A	CIS	EARTH PLATE	RB15AS, SUS, TO .15	SNA
BN91-00440A	-	ASSY CHASSIS	MB15EO	SNA

BN94-00332A	-	ASSY PCB MAIN	MB15EO	SNA
0201-001223	C1S	ADHESIVE-TS	HT-130S,RED,700+/- 50,-	SNA
0202-001044	C1S	SOLDER-WIRE.	S63S-W3.0,S63S,D3,63Sn/37Pb,-	SNA
0202-001046	C1S	SOLDER-WIRE FLUX	CF-110VH-2A,-,-,-,-	SNA
0202-001222	C1S	SOLDER-WIRE FLUX	RS-107,RS60-1.2AA,D1.2,SN60/PB40,-	SNA
0204-001095	C1S	THINNER	#4520,-,-,-	SNA
BH73-60304E	C1S	RUBBER-SUPPORT	MO15PS,CR VO,6*6*6.4,BLACK	SNA
BN39-00161B	C1S	LEAD CONNECTOR-ASSY	MB15UO,UL1571#30,UL/CSA,12P,#28,12505HS-12,12505HS-12,BK,40MM,1571#30,SJ02-01-05	
BN39-00272A	C1S	LEAD CONNECTOR-ASSY	MB15UO,UL1571#28,UL/CSA,20P,#28,12507HS-20,12507HS-20,BK,50MM,1571#28,SJ01-01-40	
BN39-00275A	C1S	LEAD CONNECTOR-ASSY	MB15UO,UL1061#28,UL/CSA,8P,#28,12505HS-08,12505HS-08,BK,125MM,1061#28,SJ02-01-06	
BN39-00296A	C1S	LEAD CONNECTOR	MB15SO,UL1571#28,UL/CSA,31P,#28,FI-W31S,FI-W31S,BK,40MM,1571#28	
BN39-00336A	C1S	LEAD CONNECTOR	MB15EO,UL1571#28,UL/CSA,31P,#28,FI-W31S,FI-W31S,BK,40MM,1571#28,SJ02-01-269,EMI-	
BN44-00061B	C1S	INVERTER	MB15UO,S1C540A,48KHZ,14VDC,3.6MARM,6.8MARM,48KHZ,140*65.5*7.0,4LAMP,48KHZ	
BN60-00011A	C1S	FASTENER-PEM/NUT	MINERVA,SUM24L(SN),M3,-,7.0,6.8,WHT	SNA
BN63-00174A	C1S	COVER-PCB	RB15,ABS,-,-,-,VO,-,IV16,TBBA,1.5	SNA
BN63-00413A	C1S	GASKET	MB15KO,CONDUCTIVE FABRIC,5MM,8MM,8MM,GRAY,71TSMK 8-5-8-13-D,71TSMK 8-5-8-13-D	SNA
BN97-00115G	-	ASSY MICOM	MB15EO	
1102-001129	IC620	IC-EPROM	M27W401,512KX8BIT,PLCC,32P,11.35X13.89MM,80NS,3.3V,10%,PLASTIC,-40TO+85C,-,CMOS,	
BN46-00014D	C1S	S/W MICOM	MB15EO	SNA
BN97-00120A	-	ASSY SMD	MB15EO	SNA
0202-001162	C1S	SOLDER-CREAM	RMA-20-21L,S63,-,SN63/PB36.6/AGO.4,FLUX9.5%	SNA
0401-001056	D681	DIODE-SWITCHING	MMBD4148SE,75V,200MA,SOT-23,TP	
0401-001056	D804	DIODE-SWITCHING	MMBD4148SE,75V,200MA,SOT-23,TP	
0402-000553	D802	DIODE-RECTIFIER	SS24,40V,2.0A,DO-214AA	
0402-000553	D875	DIODE-RECTIFIER	SS24,40V,2.0A,DO-214AA	
0402-001098	D803	DIODE-RECTIFIER	SK34,40V,3A,SMC,TP	
0403-000579	D601	DIODE-ZENER	BZX84C5V1,5.1V,5%,200mW,SOT-23	
0403-000579	D602	DIODE-ZENER	BZX84C5V1,5.1V,5%,200mW,SOT-23	
0403-000579	D604	DIODE-ZENER	BZX84C5V1,5.1V,5%,200mW,SOT-23	
0403-000579	U133	DIODE-ZENER	BZX84C5V1,5.1V,5%,200mW,SOT-23	
0403-000579	U134	DIODE-ZENER	BZX84C5V1,5.1V,5%,200mW,SOT-23	
0403-001052	D543	DIODE-ZENER	RD8.2MB,8.2V,7.7-8.64V,200mW,S	
0403-001052	D545	DIODE-ZENER	RD8.2MB,8.2V,7.7-8.64V,200mW,S	
0403-001052	D570	DIODE-ZENER	RD8.2MB,8.2V,7.7-8.64V,200mW,S	
0403-001052	D571	DIODE-ZENER	RD8.2MB,8.2V,7.7-8.64V,200mW,S	
0404-001166	D801	DIODE-SCHOTTKY	MBRM130LT3,30V,1000MA,DO-216AA,TP	
0404-001166	D880	DIODE-SCHOTTKY	MBRM130LT3,30V,1000MA,DO-216AA,TP	
0501-000342	Q020	TR-SMALL SIGNAL	KSC1623-Y,NPN,200mW,SOT-23,TP,135-270	
0501-000342	Q201	TR-SMALL SIGNAL	KSC1623-Y,NPN,200mW,SOT-23,TP,135-270	
0501-000342	Q601	TR-SMALL SIGNAL	KSC1623-Y,NPN,200mW,SOT-23,TP,135-270	
0501-000342	Q611	TR-SMALL SIGNAL	KSC1623-Y,NPN,200mW,SOT-23,TP,135-270	
0501-002080	Q001	TR-SMALL SIGNAL	2SC2412K,NPN,200mW,SC-59,TP,120-270	
0501-002080	Q602	TR-SMALL SIGNAL	2SC2412K,NPN,200mW,SC-59,TP,120-270	
0501-002080	Q808	TR-SMALL SIGNAL	2SC2412K,NPN,200mW,SC-59,TP,120-270	
0501-002080	Q812	TR-SMALL SIGNAL	2SC2412K,NPN,200mW,SC-59,TP,120-270	
0505-001170	IC808	FET-SILICON	SI9933ADY-T1,P,-20V,3.4A,0.06ohm,2W,SO-8	
0801-002267	IC406	IC-CMOS LOGIC	74LCX14,-,SOIC,14P,150MIL,-,TP,-,-,-,3.6V,-40TO+85C,-,5.5V,-,-,24MA	
0904-001009	IC631	IC-I/O SUPPORT CHIP	8574A,-,SOP,16P,300MIL,100KHZ,	
0904-001009	IC632	IC-I/O SUPPORT CHIP	8574A,-,SOP,16P,300MIL,100KHZ,	
1001-001082	IC013	IC-VIDEO SWITCH	BA7657F,-,SOP,24P,300MIL,SINGL	
1001-001109	IC012	IC-ANALOG SWITCH	FST3125M,BUS SWITCH & CMOS,SOIC,17P,150MIL,QUAD,7V,-40TO+85C,PLASTIC,-,4.00HM,5.	
1001-001109	IC681	IC-ANALOG SWITCH	FST3125M,BUS SWITCH & CMOS,SOIC,17P,150MIL,QUAD,7V,-40TO+85C,PLASTIC,-,4.00HM,5.	
1001-001177	IC011	IC-VIDEO SWITCH	TEA6425D,VIDEO SWITCH,SOIC,20P,300MIL,-,8.8V,OTO+70C,PLASTIC,-,-,-,2UA,ST,-	
1001-001190	IC001	IC-ANALOG SWITCH	FST16233MTD,BUS SWITCH,TSSOP,56P,240MIL,-,5.5V,-40TO+85C,PLASTIC,-,200HM,8.5NS,7	
1002-001292	IC350	IC-A/D CONVERTER	AD9883AKST-110,8BITS,QFP,80P,551MIL,±0.5LSB,TR,CMOS,PLASTIC,3.3V,-25TO+85C,650M	
1003-001419	IC300	IC-DISPLAY DRIVER	MN82860,QFP,208P,1102MIL,-,-,TR,PLASTIC,3.3V,-,2.3W,-,-	
1103-000129	IC401	IC-EEPROM	24C02,256x8BIT,SOP,8P,150MIL,1	
1103-000138	IC603	IC-EEPROM	24C16,2Kx8BIT,SOP,8P,150MIL,10	
1105-001336	IC210	IC-DRAM	4S643232,512Kx32x4Bit,TSOP,86P,400MIL,60nS,3.3V,10%,PLASTIC,0to+70C,2mA,CMOS,TP	

1105-001336	IC211	IC-DRAM	4S643232,512Kx32x4Bit,TSOP,86P,400MIL,60nS,3.3V,10%,PLASTIC,0to+70C,2mA,CMOS,TP
1201-001559	IC503	IC-AUDIO AMP	4863,TSSOP,20P,173MIL,DUAL,98dB,PLASTIC,5.5V,2.45W,-40to+85C,-,-,-,-,-
1203-000404	IC801	IC-DC/DC CONVERTER	34063,SOP,8P,150MIL,PLASTIC,1.0/1.3V,-,0TO+70C,4.0MA,-,ST
1203-000404	IC810	IC-DC/DC CONVERTER	34063,SOP,8P,150MIL,PLASTIC,1.0/1.3V,-,0TO+70C,4.0MA,-,ST
1203-001212	IC604	IC-VOL. DETECTOR	7029,SOT-89,3P,-,PLASTIC,-,500
1203-001293	IC811	IC-POSIFIXED REG.	033,TO-252,3P,6.5MIL,PLASTIC,3
1203-001448	IC804	IC-SWITCH VOL. REG.	2596,TO-263,5P,-,PLASTIC,4.750
1203-001448	IC807	IC-SWITCH VOL. REG.	2596,TO-263,5P,-,PLASTIC,4.750
1203-001816	IC803	IC-POSIFIXED REG.	78M08,TO-252,3P,-,PLASTIC,7.7/8.3V,1.0W,-40TO+85C,0.5A,-,TP
1203-001830	IC805	IC-SWITCH VOL. REG.	2676,TO-263,7P,-,PLASTIC,3.234/3.336V,-,-40TO+125C,3A,-,TP
1203-001890	IC802	IC-VOLTAGE REGULATOR	3961,SOT223-5,5P,-,PLASTIC,2.5V,-,-40to+125C,800mA,-,TR
1203-001890	IC806	IC-VOLTAGE REGULATOR	3961,SOT223-5,5P,-,PLASTIC,2.5V,-,-40to+125C,800mA,-,TR
1204-001675	IC919	IC-SOUND PROCESSOR	MSP3451G,QFP,80P,-,PLASTIC,9V,1000mW,0to+70C,TR,Multistandard Sound
1204-001911	IC200	IC-VIDEO PROCESS	DPTV-3D-6730,PQFP,208P,28X28MM,PLASTIC,4.6V,-,0TO+70C,TR,-
1204-001912	IC601	IC-DECODER	SDA5550M,P-MQFP,100P,-,PLASTIC,3.3V,1.5W,0TO+70C,TR,-
1204-001926	IC010	IC-VIDEO PROCESS	VPC3230D-C5,PQFP,80P,-,PLASTIC,6V,-,0 TO 65C,TP,VPC3230D-C5
1205-001740	IC901	IC-TRANSMITTER	DS90C385,TSSOP,56P,240MIL,PLASTIC,4V,1.63W,-10 TO +70C,ST,FPD LINK-85MHZ(LVDS)
2007-000070	R0VS	R-CHIP	0ohm,5%,1/16W,DA,TP,1608
2007-000070	R215	R-CHIP	0ohm,5%,1/16W,DA,TP,1608
2007-000070	R216	R-CHIP	0ohm,5%,1/16W,DA,TP,1608
2007-000070	R217	R-CHIP	0ohm,5%,1/16W,DA,TP,1608
2007-000070	R218	R-CHIP	0ohm,5%,1/16W,DA,TP,1608
2007-000070	R222	R-CHIP	0ohm,5%,1/16W,DA,TP,1608
2007-000070	R234	R-CHIP	0ohm,5%,1/16W,DA,TP,1608
2007-000070	R242	R-CHIP	0ohm,5%,1/16W,DA,TP,1608
2007-000070	R303	R-CHIP	0ohm,5%,1/16W,DA,TP,1608
2007-000070	R328	R-CHIP	0ohm,5%,1/16W,DA,TP,1608
2007-000070	R351	R-CHIP	0ohm,5%,1/16W,DA,TP,1608
2007-000070	R652	R-CHIP	0ohm,5%,1/16W,DA,TP,1608
2007-000070	R902	R-CHIP	0ohm,5%,1/16W,DA,TP,1608
2007-000070	R0HS	R-CHIP	0ohm,5%,1/16W,DA,TP,1608
2007-000071	R002	R-CHIP	22ohm,5%,1/16W,DA,TP,1608
2007-000071	R003	R-CHIP	22ohm,5%,1/16W,DA,TP,1608
2007-000071	R004	R-CHIP	22ohm,5%,1/16W,DA,TP,1608
2007-000071	R102	R-CHIP	22ohm,5%,1/16W,DA,TP,1608
2007-000071	R304	R-CHIP	22ohm,5%,1/16W,DA,TP,1608
2007-000071	R355	R-CHIP	22ohm,5%,1/16W,DA,TP,1608
2007-000071	R367	R-CHIP	22ohm,5%,1/16W,DA,TP,1608
2007-000071	R6228	R-CHIP	22ohm,5%,1/16W,DA,TP,1608
2007-000072	R329	R-CHIP	47ohm,5%,1/16W,DA,TP,1608
2007-000072	R354	R-CHIP	47ohm,5%,1/16W,DA,TP,1608
2007-000072	R521	R-CHIP	47ohm,5%,1/16W,DA,TP,1608
2007-000072	R522	R-CHIP	47ohm,5%,1/16W,DA,TP,1608
2007-000072	R526	R-CHIP	47ohm,5%,1/16W,DA,TP,1608
2007-000072	R528	R-CHIP	47ohm,5%,1/16W,DA,TP,1608
2007-000072	R529	R-CHIP	47ohm,5%,1/16W,DA,TP,1608
2007-000072	R531	R-CHIP	47ohm,5%,1/16W,DA,TP,1608
2007-000072	R903	R-CHIP	47ohm,5%,1/16W,DA,TP,1608
2007-000072	R904	R-CHIP	47ohm,5%,1/16W,DA,TP,1608
2007-000072	R905	R-CHIP	47ohm,5%,1/16W,DA,TP,1608
2007-000072	R907	R-CHIP	47ohm,5%,1/16W,DA,TP,1608
2007-000074	R001	R-CHIP	100ohm,5%,1/16W,DA,TP,1608
2007-000074	R005	R-CHIP	100ohm,5%,1/16W,DA,TP,1608
2007-000074	R025	R-CHIP	100ohm,5%,1/16W,DA,TP,1608
2007-000074	R026	R-CHIP	100ohm,5%,1/16W,DA,TP,1608
2007-000074	R111	R-CHIP	100ohm,5%,1/16W,DA,TP,1608
2007-000074	R112	R-CHIP	100ohm,5%,1/16W,DA,TP,1608
2007-000074	R113	R-CHIP	100ohm,5%,1/16W,DA,TP,1608
2007-000074	R117	R-CHIP	100ohm,5%,1/16W,DA,TP,1608

2007-000077	R017	R-CHIP	470ohm,5%,1/16W,DA,TP,1608
2007-000077	R606	R-CHIP	470ohm,5%,1/16W,DA,TP,1608
2007-000078	R115	R-CHIP	1Kohm,5%,1/16W,DA,TP,1608
2007-000078	R127	R-CHIP	1Kohm,5%,1/16W,DA,TP,1608
2007-000078	R128	R-CHIP	1Kohm,5%,1/16W,DA,TP,1608
2007-000078	R129	R-CHIP	1Kohm,5%,1/16W,DA,TP,1608
2007-000078	R437	R-CHIP	1Kohm,5%,1/16W,DA,TP,1608
2007-000078	R516	R-CHIP	1Kohm,5%,1/16W,DA,TP,1608
2007-000078	R517	R-CHIP	1Kohm,5%,1/16W,DA,TP,1608
2007-000078	R6227	R-CHIP	1Kohm,5%,1/16W,DA,TP,1608
2007-000078	R623	R-CHIP	1Kohm,5%,1/16W,DA,TP,1608
2007-000078	R636	R-CHIP	1Kohm,5%,1/16W,DA,TP,1608
2007-000082	R356	R-CHIP	3.3Kohm,5%,1/16W,DA,TP,1608
2007-000084	R028	R-CHIP	4.7Kohm,5%,1/16W,DA,TP,1608
2007-000084	R038	R-CHIP	4.7Kohm,5%,1/16W,DA,TP,1608
2007-000084	R064	R-CHIP	4.7Kohm,5%,1/16W,DA,TP,1608
2007-000084	R065	R-CHIP	4.7Kohm,5%,1/16W,DA,TP,1608
2007-000084	R213	R-CHIP	4.7Kohm,5%,1/16W,DA,TP,1608
2007-000084	R221	R-CHIP	4.7Kohm,5%,1/16W,DA,TP,1608
2007-000084	R225	R-CHIP	4.7Kohm,5%,1/16W,DA,TP,1608
2007-000084	R239	R-CHIP	4.7Kohm,5%,1/16W,DA,TP,1608
2007-000084	R243	R-CHIP	4.7Kohm,5%,1/16W,DA,TP,1608
2007-000084	R302	R-CHIP	4.7Kohm,5%,1/16W,DA,TP,1608
2007-000084	R501	R-CHIP	4.7Kohm,5%,1/16W,DA,TP,1608
2007-000084	R502	R-CHIP	4.7Kohm,5%,1/16W,DA,TP,1608
2007-000084	R527	R-CHIP	4.7Kohm,5%,1/16W,DA,TP,1608
2007-000084	R604	R-CHIP	4.7Kohm,5%,1/16W,DA,TP,1608
2007-000084	R617	R-CHIP	4.7Kohm,5%,1/16W,DA,TP,1608
2007-000084	R621	R-CHIP	4.7Kohm,5%,1/16W,DA,TP,1608
2007-000084	R622	R-CHIP	4.7Kohm,5%,1/16W,DA,TP,1608
2007-000084	R6232	R-CHIP	4.7Kohm,5%,1/16W,DA,TP,1608
2007-000084	R631	R-CHIP	4.7Kohm,5%,1/16W,DA,TP,1608
2007-000084	R646	R-CHIP	4.7Kohm,5%,1/16W,DA,TP,1608
2007-000084	R648	R-CHIP	4.7Kohm,5%,1/16W,DA,TP,1608
2007-000084	R811	R-CHIP	4.7Kohm,5%,1/16W,DA,TP,1608
2007-000084	R821	R-CHIP	4.7Kohm,5%,1/16W,DA,TP,1608
2007-000084	R822	R-CHIP	4.7Kohm,5%,1/16W,DA,TP,1608
2007-000084	R841	R-CHIP	4.7Kohm,5%,1/16W,DA,TP,1608
2007-000084	R842	R-CHIP	4.7Kohm,5%,1/16W,DA,TP,1608
2007-000086	R114	R-CHIP	5.6Kohm,5%,1/16W,DA,TP,1608
2007-000090	R006	R-CHIP	10KOHM,5%,1/16W,DA,TP,1608
2007-000090	R061	R-CHIP	10KOHM,5%,1/16W,DA,TP,1608
2007-000090	R107	R-CHIP	10KOHM,5%,1/16W,DA,TP,1608
2007-000090	R116	R-CHIP	10KOHM,5%,1/16W,DA,TP,1608
2007-000090	R241	R-CHIP	10KOHM,5%,1/16W,DA,TP,1608
2007-000090	R248	R-CHIP	10KOHM,5%,1/16W,DA,TP,1608
2007-000090	R301	R-CHIP	10KOHM,5%,1/16W,DA,TP,1608
2007-000090	R327	R-CHIP	10KOHM,5%,1/16W,DA,TP,1608
2007-000090	R357	R-CHIP	10KOHM,5%,1/16W,DA,TP,1608
2007-000090	R358	R-CHIP	10KOHM,5%,1/16W,DA,TP,1608
2007-000090	R601	R-CHIP	10KOHM,5%,1/16W,DA,TP,1608
2007-000090	R607	R-CHIP	10KOHM,5%,1/16W,DA,TP,1608
2007-000090	R609	R-CHIP	10KOHM,5%,1/16W,DA,TP,1608
2007-000090	R653	R-CHIP	10KOHM,5%,1/16W,DA,TP,1608
2007-000090	R654	R-CHIP	10KOHM,5%,1/16W,DA,TP,1608
2007-000090	R655	R-CHIP	10KOHM,5%,1/16W,DA,TP,1608
2007-000090	R656	R-CHIP	10KOHM,5%,1/16W,DA,TP,1608
2007-000090	R657	R-CHIP	10KOHM,5%,1/16W,DA,TP,1608
2007-000090	R658	R-CHIP	10KOHM,5%,1/16W,DA,TP,1608

2007-000090	R659	R-CHIP	10KOHM,5%,1/16W,DA,TP,1608
2007-000090	R661	R-CHIP	10KOHM,5%,1/16W,DA,TP,1608
2007-000090	R668	R-CHIP	10KOHM,5%,1/16W,DA,TP,1608
2007-000090	R674	R-CHIP	10KOHM,5%,1/16W,DA,TP,1608
2007-000090	R675	R-CHIP	10KOHM,5%,1/16W,DA,TP,1608
2007-000090	R676	R-CHIP	10KOHM,5%,1/16W,DA,TP,1608
2007-000090	R677	R-CHIP	10KOHM,5%,1/16W,DA,TP,1608
2007-000090	R678	R-CHIP	10KOHM,5%,1/16W,DA,TP,1608
2007-000090	R679	R-CHIP	10KOHM,5%,1/16W,DA,TP,1608
2007-000090	R681	R-CHIP	10KOHM,5%,1/16W,DA,TP,1608
2007-000090	R682	R-CHIP	10KOHM,5%,1/16W,DA,TP,1608
2007-000090	R684	R-CHIP	10KOHM,5%,1/16W,DA,TP,1608
2007-000090	R823	R-CHIP	10KOHM,5%,1/16W,DA,TP,1608
2007-000090	R824	R-CHIP	10KOHM,5%,1/16W,DA,TP,1608
2007-000090	R873	R-CHIP	10KOHM,5%,1/16W,DA,TP,1608
2007-000091	R101	R-CHIP	12Kohm,5%,1/16W,DA,TP,1608
2007-000092	R6233	R-CHIP	15Kohm,5%,1/16W,DA,TP,1608
2007-000092	R6234	R-CHIP	15Kohm,5%,1/16W,DA,TP,1608
2007-000094	R103	R-CHIP	22Kohm,5%,1/16W,DA,TP,1608
2007-000094	R605	R-CHIP	22Kohm,5%,1/16W,DA,TP,1608
2007-000097	R199	R-CHIP	47Kohm,5%,1/16W,DA,TP,1608
2007-000097	R603	R-CHIP	47Kohm,5%,1/16W,DA,TP,1608
2007-000098	R602	R-CHIP	56Kohm,5%,1/16W,DA,TP,1608
2007-000102	R553	R-CHIP	100Kohm,5%,1/16W,DA,TP,1608
2007-000102	R554	R-CHIP	100Kohm,5%,1/16W,DA,TP,1608
2007-000102	R874	R-CHIP	100Kohm,5%,1/16W,DA,TP,1608
2007-000102	R875	R-CHIP	100Kohm,5%,1/16W,DA,TP,1608
2007-000109	R305	R-CHIP	1Mohm,5%,1/16W,DA,TP,1608
2007-000109	R309	R-CHIP	1Mohm,5%,1/16W,DA,TP,1608
2007-000109	R317	R-CHIP	1Mohm,5%,1/16W,DA,TP,1608
2007-000113	R121	R-CHIP	33ohm,5%,1/16W,DA,TP,1608
2007-000113	R122	R-CHIP	33ohm,5%,1/16W,DA,TP,1608
2007-000113	R123	R-CHIP	33ohm,5%,1/16W,DA,TP,1608
2007-000113	R124	R-CHIP	33ohm,5%,1/16W,DA,TP,1608
2007-000113	R125	R-CHIP	33ohm,5%,1/16W,DA,TP,1608
2007-000113	R126	R-CHIP	33ohm,5%,1/16W,DA,TP,1608
2007-000113	R202	R-CHIP	33ohm,5%,1/16W,DA,TP,1608
2007-000113	R203	R-CHIP	33ohm,5%,1/16W,DA,TP,1608
2007-000113	R204	R-CHIP	33ohm,5%,1/16W,DA,TP,1608
2007-000113	R205	R-CHIP	33ohm,5%,1/16W,DA,TP,1608
2007-000113	R206	R-CHIP	33ohm,5%,1/16W,DA,TP,1608
2007-000113	R207	R-CHIP	33ohm,5%,1/16W,DA,TP,1608
2007-000113	R6231	R-CHIP	33ohm,5%,1/16W,DA,TP,1608
2007-000116	R238	R-CHIP	120ohm,5%,1/16W,DA,TP,1608
2007-000116	R908	R-CHIP	120ohm,5%,1/16W,DA,TP,1608
2007-000118	R231	R-CHIP	390ohm,5%,1/16W,DA,TP,1608
2007-000120	R645	R-CHIP	680ohm,5%,1/16W,DA,TP,1608
2007-000134	R511	R-CHIP	33Kohm,5%,1/16W,DA,TP,1608
2007-000134	R539	R-CHIP	33Kohm,5%,1/16W,DA,TP,1608
2007-000219	R890	R-CHIP	1.2Kohm,1%,1/16W,DA,TP,1608
2007-000219	R894	R-CHIP	1.2Kohm,1%,1/16W,DA,TP,1608
2007-000239	R244	R-CHIP	1.5Kohm,1%,1/16W,DA,TP,1608
2007-000239	R612	R-CHIP	1.5Kohm,1%,1/16W,DA,TP,1608
2007-000239	R613	R-CHIP	1.5Kohm,1%,1/16W,DA,TP,1608
2007-000309	R027	R-CHIP	10ohm,5%,1/16W,DA,TP,1608
2007-000309	R062	R-CHIP	10ohm,5%,1/16W,DA,TP,1608
2007-000309	R063	R-CHIP	10ohm,5%,1/16W,DA,TP,1608
2007-000309	R214	R-CHIP	10ohm,5%,1/16W,DA,TP,1608
2007-000309	R219	R-CHIP	10ohm,5%,1/16W,DA,TP,1608

2007-000309	R224	R-CHIP	10ohm,5%,1/16W,DA,TP,1608
2007-000309	R438	R-CHIP	10ohm,5%,1/16W,DA,TP,1608
2007-000309	R441	R-CHIP	10ohm,5%,1/16W,DA,TP,1608
2007-000309	R635	R-CHIP	10ohm,5%,1/16W,DA,TP,1608
2007-000309	R692	R-CHIP	10ohm,5%,1/16W,DA,TP,1608
2007-000309	R693	R-CHIP	10ohm,5%,1/16W,DA,TP,1608
2007-000309	RJ15	R-CHIP	10ohm,5%,1/16W,DA,TP,1608
2007-000309	RJ16	R-CHIP	10ohm,5%,1/16W,DA,TP,1608
2007-000309	RJ17	R-CHIP	10ohm,5%,1/16W,DA,TP,1608
2007-000309	RJ18	R-CHIP	10ohm,5%,1/16W,DA,TP,1608
2007-000309	RJ19	R-CHIP	10ohm,5%,1/16W,DA,TP,1608
2007-000512	R109	R-CHIP	2.4Kohm,5%,1/16W,DA,TP,1608
2007-000616	R318	R-CHIP	24Kohm,5%,1/16W,DA,TP,1608
2007-000669	R895	R-CHIP	2Kohm,1%,1/16W,DA,TP,1608
2007-000701	R891	R-CHIP	3.6Kohm,1%,1/16W,DA,TP,1608
2007-001010	R312	R-CHIP	51Kohm,5%,1/16W,DA,TP,1608
2007-001164	R314	R-CHIP	75ohm,1%,1/16W,DA,TP,1608
2007-001164	R315	R-CHIP	75ohm,1%,1/16W,DA,TP,1608
2007-001164	R316	R-CHIP	75ohm,1%,1/16W,DA,TP,1608
2007-001164	R321	R-CHIP	75ohm,1%,1/16W,DA,TP,1608
2007-001164	R325	R-CHIP	75ohm,1%,1/16W,DA,TP,1608
2007-001164	R326	R-CHIP	75ohm,1%,1/16W,DA,TP,1608
2007-001167	R007	R-CHIP	75ohm,5%,1/16W,DA,TP,1608
2007-001167	R008	R-CHIP	75ohm,5%,1/16W,DA,TP,1608
2007-001167	R009	R-CHIP	75ohm,5%,1/16W,DA,TP,1608
2007-001167	R024	R-CHIP	75ohm,5%,1/16W,DA,TP,1608
2007-001167	R067	R-CHIP	75ohm,5%,1/16W,DA,TP,1608
2007-001167	R236	R-CHIP	75ohm,5%,1/16W,DA,TP,1608
2007-001167	R619	R-CHIP	75ohm,5%,1/16W,DA,TP,1608
2007-001175	R505	R-CHIP	8.2Kohm,1%,1/16W,DA,TP,1608
2007-001175	R506	R-CHIP	8.2Kohm,1%,1/16W,DA,TP,1608
2007-002425	R6235	R-CHIP	10HM,5%,1/16W,DA,TP,1608
2007-002425	R6236	R-CHIP	10HM,5%,1/16W,DA,TP,1608
2007-002425	R6237	R-CHIP	10HM,5%,1/16W,DA,TP,1608
2007-008433	R892	R-CHIP	0.330HM,1%,1W,DA,TP,6432
2007-008433	R893	R-CHIP	0.330HM,1%,1W,DA,TP,6432
2011-000002	IC002	R-NETWORK	22ohm,5%,63mW,L,CHIP,8P,TP
2011-000002	IC003	R-NETWORK	22ohm,5%,63mW,L,CHIP,8P,TP
2011-000002	IC004	R-NETWORK	22ohm,5%,63mW,L,CHIP,8P,TP
2011-000002	IC005	R-NETWORK	22ohm,5%,63mW,L,CHIP,8P,TP
2011-000002	IC006	R-NETWORK	22ohm,5%,63mW,L,CHIP,8P,TP
2011-000002	IC007	R-NETWORK	22ohm,5%,63mW,L,CHIP,8P,TP
2011-000002	IC008	R-NETWORK	22ohm,5%,63mW,L,CHIP,8P,TP
2011-000002	IC009	R-NETWORK	22ohm,5%,63mW,L,CHIP,8P,TP
2011-000002	RA301	R-NETWORK	22ohm,5%,63mW,L,CHIP,8P,TP
2011-000002	RA302	R-NETWORK	22ohm,5%,63mW,L,CHIP,8P,TP
2011-000002	RA303	R-NETWORK	22ohm,5%,63mW,L,CHIP,8P,TP
2011-000002	RA304	R-NETWORK	22ohm,5%,63mW,L,CHIP,8P,TP
2011-000002	RA305	R-NETWORK	22ohm,5%,63mW,L,CHIP,8P,TP
2011-000002	RA306	R-NETWORK	22ohm,5%,63mW,L,CHIP,8P,TP
2011-000002	RA351	R-NETWORK	22ohm,5%,63mW,L,CHIP,8P,TP
2011-000002	RA352	R-NETWORK	22ohm,5%,63mW,L,CHIP,8P,TP
2011-000002	RA353	R-NETWORK	22ohm,5%,63mW,L,CHIP,8P,TP
2011-000002	RA354	R-NETWORK	22ohm,5%,63mW,L,CHIP,8P,TP
2011-000002	RA355	R-NETWORK	22ohm,5%,63mW,L,CHIP,8P,TP
2011-000002	RA356	R-NETWORK	22ohm,5%,63mW,L,CHIP,8P,TP
2011-000515	IC641	R-NETWORK	4.7Kohm,5%,1/16W,L,CHIP,8P,TP
2011-000515	IC642	R-NETWORK	4.7Kohm,5%,1/16W,L,CHIP,8P,TP
2011-000651	IC621	R-NETWORK	10ohm,5%,63mW,L,CHIP,8P,TP

2011-000651	IC622	R-NETWORK	10ohm,5%,63mW,L,CHIP,8P,TP
2011-000651	IC623	R-NETWORK	10ohm,5%,63mW,L,CHIP,8P,TP
2011-000651	IC624	R-NETWORK	10ohm,5%,63mW,L,CHIP,8P,TP
2011-000651	IC625	R-NETWORK	10ohm,5%,63mW,L,CHIP,8P,TP
2011-000651	IC626	R-NETWORK	10ohm,5%,63mW,L,CHIP,8P,TP
2011-000651	IC627	R-NETWORK	10ohm,5%,63mW,L,CHIP,8P,TP
2011-000651	IC628	R-NETWORK	10ohm,5%,63mW,L,CHIP,8P,TP
2011-000651	IC629	R-NETWORK	10ohm,5%,63mW,L,CHIP,8P,TP
2203-000140	C004	C-CERAMIC,CHIP	1.5nF,10%,50V,X7R,TP,1608,-
2203-000140	C008	C-CERAMIC,CHIP	1.5nF,10%,50V,X7R,TP,1608,-
2203-000140	C016	C-CERAMIC,CHIP	1.5nF,10%,50V,X7R,TP,1608,-
2203-000140	C019	C-CERAMIC,CHIP	1.5nF,10%,50V,X7R,TP,1608,-
2203-000140	C038	C-CERAMIC,CHIP	1.5nF,10%,50V,X7R,TP,1608,-
2203-000140	C538	C-CERAMIC,CHIP	1.5nF,10%,50V,X7R,TP,1608,-
2203-000140	C574	C-CERAMIC,CHIP	1.5nF,10%,50V,X7R,TP,1608,-
2203-000189	C112	C-CERAMIC,CHIP	100nF,+80-20%,25V,Y5V,TP,1608,
2203-000189	C2036	C-CERAMIC,CHIP	100nF,+80-20%,25V,Y5V,TP,1608,
2203-000189	C2037	C-CERAMIC,CHIP	100nF,+80-20%,25V,Y5V,TP,1608,
2203-000189	C2047	C-CERAMIC,CHIP	100nF,+80-20%,25V,Y5V,TP,1608,
2203-000189	C2048	C-CERAMIC,CHIP	100nF,+80-20%,25V,Y5V,TP,1608,
2203-000189	C2049	C-CERAMIC,CHIP	100nF,+80-20%,25V,Y5V,TP,1608,
2203-000189	C2050	C-CERAMIC,CHIP	100nF,+80-20%,25V,Y5V,TP,1608,
2203-000189	C2051	C-CERAMIC,CHIP	100nF,+80-20%,25V,Y5V,TP,1608,
2203-000189	C338	C-CERAMIC,CHIP	100nF,+80-20%,25V,Y5V,TP,1608,
2203-000189	C559	C-CERAMIC,CHIP	100nF,+80-20%,25V,Y5V,TP,1608,
2203-000189	C565	C-CERAMIC,CHIP	100nF,+80-20%,25V,Y5V,TP,1608,
2203-000189	C620	C-CERAMIC,CHIP	100nF,+80-20%,25V,Y5V,TP,1608,
2203-000189	C624	C-CERAMIC,CHIP	100nF,+80-20%,25V,Y5V,TP,1608,
2203-000189	C821	C-CERAMIC,CHIP	100nF,+80-20%,25V,Y5V,TP,1608,
2203-000189	C844	C-CERAMIC,CHIP	100nF,+80-20%,25V,Y5V,TP,1608,
2203-000189	C846	C-CERAMIC,CHIP	100nF,+80-20%,25V,Y5V,TP,1608,
2203-000189	C852	C-CERAMIC,CHIP	100nF,+80-20%,25V,Y5V,TP,1608,
2203-000189	C853	C-CERAMIC,CHIP	100nF,+80-20%,25V,Y5V,TP,1608,
2203-000189	C856	C-CERAMIC,CHIP	100nF,+80-20%,25V,Y5V,TP,1608,
2203-000189	C858	C-CERAMIC,CHIP	100nF,+80-20%,25V,Y5V,TP,1608,
2203-000189	C862	C-CERAMIC,CHIP	100nF,+80-20%,25V,Y5V,TP,1608,
2203-000189	C864	C-CERAMIC,CHIP	100nF,+80-20%,25V,Y5V,TP,1608,
2203-000189	C868	C-CERAMIC,CHIP	100nF,+80-20%,25V,Y5V,TP,1608,
2203-000189	C871	C-CERAMIC,CHIP	100nF,+80-20%,25V,Y5V,TP,1608,
2203-000189	C872	C-CERAMIC,CHIP	100nF,+80-20%,25V,Y5V,TP,1608,
2203-000189	C881	C-CERAMIC,CHIP	100nF,+80-20%,25V,Y5V,TP,1608,
2203-000189	C882	C-CERAMIC,CHIP	100nF,+80-20%,25V,Y5V,TP,1608,
2203-000189	C883	C-CERAMIC,CHIP	100nF,+80-20%,25V,Y5V,TP,1608,
2203-000189	C893	C-CERAMIC,CHIP	100nF,+80-20%,25V,Y5V,TP,1608,
2203-000189	C908	C-CERAMIC,CHIP	100nF,+80-20%,25V,Y5V,TP,1608,
2203-000189	C909	C-CERAMIC,CHIP	100nF,+80-20%,25V,Y5V,TP,1608,
2203-000189	C912	C-CERAMIC,CHIP	100nF,+80-20%,25V,Y5V,TP,1608,
2203-000189	U123	C-CERAMIC,CHIP	100nF,+80-20%,25V,Y5V,TP,1608,
2203-000236	C050	C-CERAMIC,CHIP	0.1nF,5%,50V,NP0,TP,1608
2203-000236	C069	C-CERAMIC,CHIP	0.1nF,5%,50V,NP0,TP,1608
2203-000236	C070	C-CERAMIC,CHIP	0.1nF,5%,50V,NP0,TP,1608
2203-000236	C091	C-CERAMIC,CHIP	0.1nF,5%,50V,NP0,TP,1608
2203-000236	C101	C-CERAMIC,CHIP	0.1nF,5%,50V,NP0,TP,1608
2203-000236	C102	C-CERAMIC,CHIP	0.1nF,5%,50V,NP0,TP,1608
2203-000236	C103	C-CERAMIC,CHIP	0.1nF,5%,50V,NP0,TP,1608
2203-000236	C104	C-CERAMIC,CHIP	0.1nF,5%,50V,NP0,TP,1608
2203-000236	C105	C-CERAMIC,CHIP	0.1nF,5%,50V,NP0,TP,1608
2203-000236	C2033	C-CERAMIC,CHIP	0.1nF,5%,50V,NP0,TP,1608
2203-000236	C2034	C-CERAMIC,CHIP	0.1nF,5%,50V,NP0,TP,1608

2203-000236	C219	C-CERAMIC,CHIP	0.1nF,5%,50V,NPO,TP,1608
2203-000236	C222	C-CERAMIC,CHIP	0.1nF,5%,50V,NPO,TP,1608
2203-000236	C232	C-CERAMIC,CHIP	0.1nF,5%,50V,NPO,TP,1608
2203-000236	C234	C-CERAMIC,CHIP	0.1nF,5%,50V,NPO,TP,1608
2203-000236	C235	C-CERAMIC,CHIP	0.1nF,5%,50V,NPO,TP,1608
2203-000236	C237	C-CERAMIC,CHIP	0.1nF,5%,50V,NPO,TP,1608
2203-000236	C239	C-CERAMIC,CHIP	0.1nF,5%,50V,NPO,TP,1608
2203-000236	C242	C-CERAMIC,CHIP	0.1nF,5%,50V,NPO,TP,1608
2203-000236	C246	C-CERAMIC,CHIP	0.1nF,5%,50V,NPO,TP,1608
2203-000236	C248	C-CERAMIC,CHIP	0.1nF,5%,50V,NPO,TP,1608
2203-000236	C257	C-CERAMIC,CHIP	0.1nF,5%,50V,NPO,TP,1608
2203-000236	C259	C-CERAMIC,CHIP	0.1nF,5%,50V,NPO,TP,1608
2203-000236	C268	C-CERAMIC,CHIP	0.1nF,5%,50V,NPO,TP,1608
2203-000236	C271	C-CERAMIC,CHIP	0.1nF,5%,50V,NPO,TP,1608
2203-000236	C283	C-CERAMIC,CHIP	0.1nF,5%,50V,NPO,TP,1608
2203-000236	C314	C-CERAMIC,CHIP	0.1nF,5%,50V,NPO,TP,1608
2203-000236	C617	C-CERAMIC,CHIP	0.1nF,5%,50V,NPO,TP,1608
2203-000236	C888	C-CERAMIC,CHIP	0.1nF,5%,50V,NPO,TP,1608
2203-000236	CB01	C-CERAMIC,CHIP	0.1nF,5%,50V,NPO,TP,1608
2203-000236	CG01	C-CERAMIC,CHIP	0.1nF,5%,50V,NPO,TP,1608
2203-000236	CR01	C-CERAMIC,CHIP	0.1nF,5%,50V,NPO,TP,1608
2203-000257	C114	C-CERAMIC,CHIP	10nF,10%,50V,X7R,TP,1608
2203-000257	C116	C-CERAMIC,CHIP	10nF,10%,50V,X7R,TP,1608
2203-000257	C118	C-CERAMIC,CHIP	10nF,10%,50V,X7R,TP,1608
2203-000257	C120	C-CERAMIC,CHIP	10nF,10%,50V,X7R,TP,1608
2203-000257	C122	C-CERAMIC,CHIP	10nF,10%,50V,X7R,TP,1608
2203-000257	C124	C-CERAMIC,CHIP	10nF,10%,50V,X7R,TP,1608
2203-000257	C2030	C-CERAMIC,CHIP	10nF,10%,50V,X7R,TP,1608
2203-000257	C383	C-CERAMIC,CHIP	10nF,10%,50V,X7R,TP,1608
2203-000257	C508	C-CERAMIC,CHIP	10nF,10%,50V,X7R,TP,1608
2203-000257	C623	C-CERAMIC,CHIP	10nF,10%,50V,X7R,TP,1608
2203-000257	C825	C-CERAMIC,CHIP	10nF,10%,50V,X7R,TP,1608
2203-000257	C859	C-CERAMIC,CHIP	10nF,10%,50V,X7R,TP,1608
2203-000257	C863	C-CERAMIC,CHIP	10nF,10%,50V,X7R,TP,1608
2203-000257	C866	C-CERAMIC,CHIP	10nF,10%,50V,X7R,TP,1608
2203-000257	C921	C-CERAMIC,CHIP	10nF,10%,50V,X7R,TP,1608
2203-000257	U122	C-CERAMIC,CHIP	10nF,10%,50V,X7R,TP,1608
2203-000280	C025	C-CERAMIC,CHIP	0.01nF,0.5pF,50V,NPO,TP,1608
2203-000280	C026	C-CERAMIC,CHIP	0.01nF,0.5pF,50V,NPO,TP,1608
2203-000280	C027	C-CERAMIC,CHIP	0.01nF,0.5pF,50V,NPO,TP,1608
2203-000280	C028	C-CERAMIC,CHIP	0.01nF,0.5pF,50V,NPO,TP,1608
2203-000280	C029	C-CERAMIC,CHIP	0.01nF,0.5pF,50V,NPO,TP,1608
2203-000280	C030	C-CERAMIC,CHIP	0.01nF,0.5pF,50V,NPO,TP,1608
2203-000280	C527	C-CERAMIC,CHIP	0.01nF,0.5pF,50V,NPO,TP,1608
2203-000280	C572	C-CERAMIC,CHIP	0.01nF,0.5pF,50V,NPO,TP,1608
2203-000357	C608	C-CERAMIC,CHIP	0.15nF,5%,50V,NPO,TP,1608
2203-000440	C2031	C-CERAMIC,CHIP	1nF,10%,50V,X7R,TP,1608,-
2203-000440	C2032	C-CERAMIC,CHIP	1nF,10%,50V,X7R,TP,1608,-
2203-000440	C301	C-CERAMIC,CHIP	1nF,10%,50V,X7R,TP,1608,-
2203-000440	C536	C-CERAMIC,CHIP	1nF,10%,50V,X7R,TP,1608,-
2203-000440	C537	C-CERAMIC,CHIP	1nF,10%,50V,X7R,TP,1608,-
2203-000440	C885	C-CERAMIC,CHIP	1nF,10%,50V,X7R,TP,1608,-
2203-000440	C901	C-CERAMIC,CHIP	1nF,10%,50V,X7R,TP,1608,-
2203-000440	C902	C-CERAMIC,CHIP	1nF,10%,50V,X7R,TP,1608,-
2203-000440	C905	C-CERAMIC,CHIP	1nF,10%,50V,X7R,TP,1608,-
2203-000455	C058	C-CERAMIC,CHIP	1nF,5%,50V,NPO,TP,2012
2203-000552	C225	C-CERAMIC,CHIP	0.02nF,5%,50V,NPO,TP,1608
2203-000552	C226	C-CERAMIC,CHIP	0.02nF,5%,50V,NPO,TP,1608
2203-000552	C614	C-CERAMIC,CHIP	0.02nF,5%,50V,NPO,TP,1608

2203-000552	C615	C-CERAMIC,CHIP	0.02nF,5%,50V,NPO,TP,1608
2203-000626	C922	C-CERAMIC,CHIP	0.022nF,5%,50V,NPO,TP,1608
2203-000626	C923	C-CERAMIC,CHIP	0.022nF,5%,50V,NPO,TP,1608
2203-000626	C924	C-CERAMIC,CHIP	0.022nF,5%,50V,NPO,TP,1608
2203-000726	C381	C-CERAMIC,CHIP	3.9nF,10%,50V,X7R,TP,1608,-
2203-000815	C244	C-CERAMIC,CHIP	0.033nF,5%,50V,NPO,TP,1608
2203-000815	C290	C-CERAMIC,CHIP	0.033nF,5%,50V,NPO,TP,1608
2203-000815	C291	C-CERAMIC,CHIP	0.033nF,5%,50V,NPO,TP,1608
2203-000815	C292	C-CERAMIC,CHIP	0.033nF,5%,50V,NPO,TP,1608
2203-000815	C293	C-CERAMIC,CHIP	0.033nF,5%,50V,NPO,TP,1608
2203-000815	C294	C-CERAMIC,CHIP	0.033nF,5%,50V,NPO,TP,1608
2203-000815	C295	C-CERAMIC,CHIP	0.033nF,5%,50V,NPO,TP,1608
2203-000815	C296	C-CERAMIC,CHIP	0.033nF,5%,50V,NPO,TP,1608
2203-000815	C297	C-CERAMIC,CHIP	0.033nF,5%,50V,NPO,TP,1608
2203-000815	C298	C-CERAMIC,CHIP	0.033nF,5%,50V,NPO,TP,1608
2203-000815	C299	C-CERAMIC,CHIP	0.033nF,5%,50V,NPO,TP,1608
2203-000815	C304	C-CERAMIC,CHIP	0.033nF,5%,50V,NPO,TP,1608
2203-000815	C308	C-CERAMIC,CHIP	0.033nF,5%,50V,NPO,TP,1608
2203-000815	C309	C-CERAMIC,CHIP	0.033nF,5%,50V,NPO,TP,1608
2203-000815	C310	C-CERAMIC,CHIP	0.033nF,5%,50V,NPO,TP,1608
2203-000815	C366	C-CERAMIC,CHIP	0.033nF,5%,50V,NPO,TP,1608
2203-000815	C368	C-CERAMIC,CHIP	0.033nF,5%,50V,NPO,TP,1608
2203-000815	C371	C-CERAMIC,CHIP	0.033nF,5%,50V,NPO,TP,1608
2203-000815	C373	C-CERAMIC,CHIP	0.033nF,5%,50V,NPO,TP,1608
2203-000815	C375	C-CERAMIC,CHIP	0.033nF,5%,50V,NPO,TP,1608
2203-000815	C376	C-CERAMIC,CHIP	0.033nF,5%,50V,NPO,TP,1608
2203-000815	C3A1	C-CERAMIC,CHIP	0.033nF,5%,50V,NPO,TP,1608
2203-000815	C3A2	C-CERAMIC,CHIP	0.033nF,5%,50V,NPO,TP,1608
2203-000815	C3A3	C-CERAMIC,CHIP	0.033nF,5%,50V,NPO,TP,1608
2203-000815	C3A4	C-CERAMIC,CHIP	0.033nF,5%,50V,NPO,TP,1608
2203-000815	C3A5	C-CERAMIC,CHIP	0.033nF,5%,50V,NPO,TP,1608
2203-000815	C3A6	C-CERAMIC,CHIP	0.033nF,5%,50V,NPO,TP,1608
2203-000815	C3A7	C-CERAMIC,CHIP	0.033nF,5%,50V,NPO,TP,1608
2203-000815	C3A8	C-CERAMIC,CHIP	0.033nF,5%,50V,NPO,TP,1608
2203-000815	C3A9	C-CERAMIC,CHIP	0.033nF,5%,50V,NPO,TP,1608
2203-000815	C3AA	C-CERAMIC,CHIP	0.033nF,5%,50V,NPO,TP,1608
2203-000815	C3AB	C-CERAMIC,CHIP	0.033nF,5%,50V,NPO,TP,1608
2203-000815	C3AC	C-CERAMIC,CHIP	0.033nF,5%,50V,NPO,TP,1608
2203-000815	C3AD	C-CERAMIC,CHIP	0.033nF,5%,50V,NPO,TP,1608
2203-000839	C017	C-CERAMIC,CHIP	0.39nF,5%,50V,NPO,TP,2012
2203-000839	C024	C-CERAMIC,CHIP	0.39nF,5%,50V,NPO,TP,2012
2203-000839	C037	C-CERAMIC,CHIP	0.39nF,5%,50V,NPO,TP,2012
2203-000839	C313	C-CERAMIC,CHIP	0.39nF,5%,50V,NPO,TP,2012
2203-000903	C011	C-CERAMIC,CHIP	0.0047nF,0.25pF,50V,NPO,TP,1608
2203-000903	C012	C-CERAMIC,CHIP	0.0047nF,0.25pF,50V,NPO,TP,1608
2203-000972	C005	C-CERAMIC,CHIP	47nF,10%,16V,X7R,TP,1608
2203-000972	C007	C-CERAMIC,CHIP	47nF,10%,16V,X7R,TP,1608
2203-000972	C013	C-CERAMIC,CHIP	47nF,10%,16V,X7R,TP,1608
2203-000972	C021	C-CERAMIC,CHIP	47nF,10%,16V,X7R,TP,1608
2203-000972	C379	C-CERAMIC,CHIP	47nF,10%,16V,X7R,TP,1608
2203-000972	C576	C-CERAMIC,CHIP	47nF,10%,16V,X7R,TP,1608
2203-000998	C051	C-CERAMIC,CHIP	0.047nF,5%,50V,NPO,TP,1608
2203-000998	C052	C-CERAMIC,CHIP	0.047nF,5%,50V,NPO,TP,1608
2203-000998	C086	C-CERAMIC,CHIP	0.047nF,5%,50V,NPO,TP,1608
2203-000998	C087	C-CERAMIC,CHIP	0.047nF,5%,50V,NPO,TP,1608
2203-000998	C088	C-CERAMIC,CHIP	0.047nF,5%,50V,NPO,TP,1608
2203-000998	C089	C-CERAMIC,CHIP	0.047nF,5%,50V,NPO,TP,1608
2203-000998	C093	C-CERAMIC,CHIP	0.047nF,5%,50V,NPO,TP,1608
2203-000998	C273	C-CERAMIC,CHIP	0.047nF,5%,50V,NPO,TP,1608

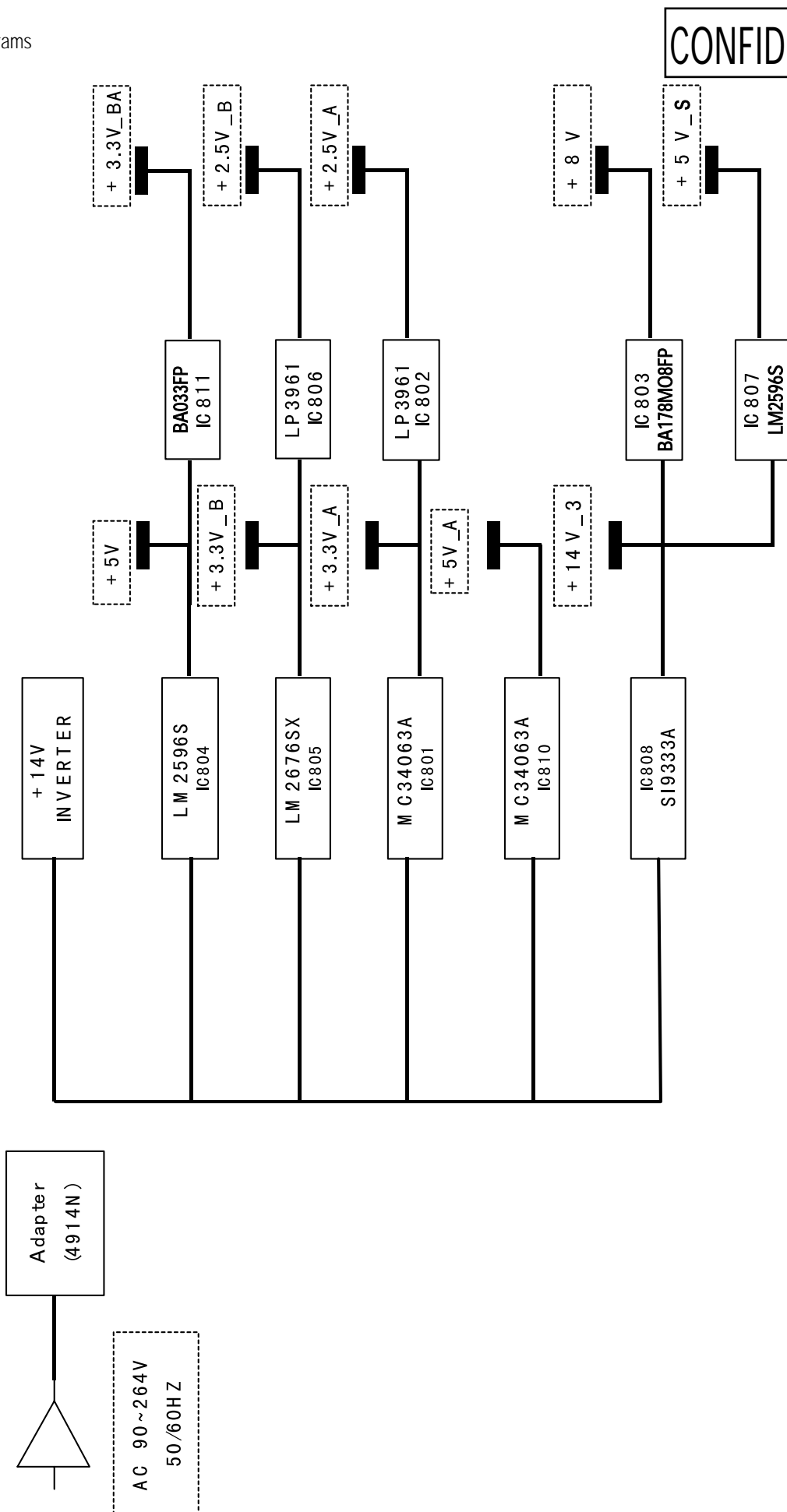
2203-005005	C397	C-CERAMIC,CHIP	100nF,10%,16V,X7R,TP,1608
2203-005005	C398	C-CERAMIC,CHIP	100nF,10%,16V,X7R,TP,1608
2203-005005	C549	C-CERAMIC,CHIP	100nF,10%,16V,X7R,TP,1608
2203-005005	C551	C-CERAMIC,CHIP	100nF,10%,16V,X7R,TP,1608
2203-005005	C601	C-CERAMIC,CHIP	100nF,10%,16V,X7R,TP,1608
2203-005005	C602	C-CERAMIC,CHIP	100nF,10%,16V,X7R,TP,1608
2203-005005	C605	C-CERAMIC,CHIP	100nF,10%,16V,X7R,TP,1608
2203-005005	C606	C-CERAMIC,CHIP	100nF,10%,16V,X7R,TP,1608
2203-005005	C607	C-CERAMIC,CHIP	100nF,10%,16V,X7R,TP,1608
2203-005005	C609	C-CERAMIC,CHIP	100nF,10%,16V,X7R,TP,1608
2203-005005	C612	C-CERAMIC,CHIP	100nF,10%,16V,X7R,TP,1608
2203-005005	C613	C-CERAMIC,CHIP	100nF,10%,16V,X7R,TP,1608
2203-005005	C619	C-CERAMIC,CHIP	100nF,10%,16V,X7R,TP,1608
2203-005005	C625	C-CERAMIC,CHIP	100nF,10%,16V,X7R,TP,1608
2203-005005	C626	C-CERAMIC,CHIP	100nF,10%,16V,X7R,TP,1608
2203-005005	C627	C-CERAMIC,CHIP	100nF,10%,16V,X7R,TP,1608
2203-005005	C630	C-CERAMIC,CHIP	100nF,10%,16V,X7R,TP,1608
2203-005005	C631	C-CERAMIC,CHIP	100nF,10%,16V,X7R,TP,1608
2203-005005	C824	C-CERAMIC,CHIP	100nF,10%,16V,X7R,TP,1608
2203-005005	C873	C-CERAMIC,CHIP	100nF,10%,16V,X7R,TP,1608
2203-005005	C874	C-CERAMIC,CHIP	100nF,10%,16V,X7R,TP,1608
2203-005005	C875	C-CERAMIC,CHIP	100nF,10%,16V,X7R,TP,1608
2203-005005	C884	C-CERAMIC,CHIP	100nF,10%,16V,X7R,TP,1608
2203-005005	C886	C-CERAMIC,CHIP	100nF,10%,16V,X7R,TP,1608
2203-005005	U124	C-CERAMIC,CHIP	100nF,10%,16V,X7R,TP,1608
2203-005005	U125	C-CERAMIC,CHIP	100nF,10%,16V,X7R,TP,1608
2203-005005	U126	C-CERAMIC,CHIP	100nF,10%,16V,X7R,TP,1608
2203-005065	C249	C-CERAMIC,CHIP	1000nF,+80-20%,10V,Y5V,TP,1608
2203-005065	C261	C-CERAMIC,CHIP	1000nF,+80-20%,10V,Y5V,TP,1608
2203-005065	C264	C-CERAMIC,CHIP	1000nF,+80-20%,10V,Y5V,TP,1608
2203-006017	C221	C-CERAMIC,CHIP	0.56NF,5%,50V,C0G,TP,1608
2203-006017	C224	C-CERAMIC,CHIP	0.56NF,5%,50V,C0G,TP,1608
2203-006036	C018	C-CERAMIC,CHIP	680NF,+80-20%,16V,Y5V,TP,1608
2203-006036	C067	C-CERAMIC,CHIP	680NF,+80-20%,16V,Y5V,TP,1608
2203-006036	C068	C-CERAMIC,CHIP	680NF,+80-20%,16V,Y5V,TP,1608
2402-000108	C552	C-AL,SMD	10uF,20%,16V,WT,TP,4.3x4.3x5.4
2402-000108	C561	C-AL,SMD	10uF,20%,16V,WT,TP,4.3x4.3x5.4
2402-000135	C092	C-AL,SMD	22uF,20%,16V,GP,TP,5.3x5.3x5.4
2402-000135	C2000	C-AL,SMD	22uF,20%,16V,GP,TP,5.3x5.3x5.4
2402-000135	C2013	C-AL,SMD	22uF,20%,16V,GP,TP,5.3x5.3x5.4
2402-000135	C218	C-AL,SMD	22uF,20%,16V,GP,TP,5.3x5.3x5.4
2402-000135	C223	C-AL,SMD	22uF,20%,16V,GP,TP,5.3x5.3x5.4
2402-000135	C231	C-AL,SMD	22uF,20%,16V,GP,TP,5.3x5.3x5.4
2402-000135	C236	C-AL,SMD	22uF,20%,16V,GP,TP,5.3x5.3x5.4
2402-000135	C250	C-AL,SMD	22uF,20%,16V,GP,TP,5.3x5.3x5.4
2402-000135	C251	C-AL,SMD	22uF,20%,16V,GP,TP,5.3x5.3x5.4
2402-000135	C252	C-AL,SMD	22uF,20%,16V,GP,TP,5.3x5.3x5.4
2402-000135	C254	C-AL,SMD	22uF,20%,16V,GP,TP,5.3x5.3x5.4
2402-000135	C258	C-AL,SMD	22uF,20%,16V,GP,TP,5.3x5.3x5.4
2402-000135	C269	C-AL,SMD	22uF,20%,16V,GP,TP,5.3x5.3x5.4
2402-000135	C284	C-AL,SMD	22uF,20%,16V,GP,TP,5.3x5.3x5.4
2402-000135	C320	C-AL,SMD	22uF,20%,16V,GP,TP,5.3x5.3x5.4
2402-000135	C339	C-AL,SMD	22uF,20%,16V,GP,TP,5.3x5.3x5.4
2402-000135	C382	C-AL,SMD	22uF,20%,16V,GP,TP,5.3x5.3x5.4
2402-000135	C591	C-AL,SMD	22uF,20%,16V,GP,TP,5.3x5.3x5.4
2402-000135	C592	C-AL,SMD	22uF,20%,16V,GP,TP,5.3x5.3x5.4
2402-000170	C509	C-AL,SMD	1uF,20%,50V,GP,TP,4.3x4.3x5.4
2402-000170	C828	C-AL,SMD	1uF,20%,50V,GP,TP,4.3x4.3x5.4
2402-000170	C870	C-AL,SMD	1uF,20%,50V,GP,TP,4.3x4.3x5.4

2402-001042	C903	C-AL,SMD	100uF,20%,16V,GP,TP,6.6x6.6x5.4mm
2402-001042	C904	C-AL,SMD	100uF,20%,16V,GP,TP,6.6x6.6x5.4mm
2402-001042	C906	C-AL,SMD	100uF,20%,16V,GP,TP,6.6x6.6x5.4mm
2402-001042	C907	C-AL,SMD	100uF,20%,16V,GP,TP,6.6x6.6x5.4mm
2402-001042	U140	C-AL,SMD	100uF,20%,16V,GP,TP,6.6x6.6x5.4mm
2402-001086	U137	C-AL,SMD	100UF,20%,16V,WT,TP,6.6X6.6X5.3
2402-001155	C288	C-AL,SMD	47UF,20%,16V,WT,TP,6.3X5.2MM
2402-001155	C329	C-AL,SMD	47UF,20%,16V,WT,TP,6.3X5.2MM
2409-001046	C2056	C-ORGANIC	39UF,20%,16V,WT,TP,6.3X6MM,-
2409-001046	C809	C-ORGANIC	39UF,20%,16V,WT,TP,6.3X6MM,-
2409-001046	C841	C-ORGANIC	39UF,20%,16V,WT,TP,6.3X6MM,-
2409-001046	C845	C-ORGANIC	39UF,20%,16V,WT,TP,6.3X6MM,-
2409-001046	C847	C-ORGANIC	39UF,20%,16V,WT,TP,6.3X6MM,-
2409-001046	C851	C-ORGANIC	39UF,20%,16V,WT,TP,6.3X6MM,-
2409-001046	C857	C-ORGANIC	39UF,20%,16V,WT,TP,6.3X6MM,-
2409-001046	U127	C-ORGANIC	39UF,20%,16V,WT,TP,6.3X6MM,-
2409-001049	C2042	C-ORGANIC	47UF,20%,6.3V,FX,TP,5X5.9MM,-
2409-001049	C2052	C-ORGANIC	47UF,20%,6.3V,FX,TP,5X5.9MM,-
2409-001049	C2053	C-ORGANIC	47UF,20%,6.3V,FX,TP,5X5.9MM,-
2409-001049	C2054	C-ORGANIC	47UF,20%,6.3V,FX,TP,5X5.9MM,-
2409-001049	C2055	C-ORGANIC	47UF,20%,6.3V,FX,TP,5X5.9MM,-
2409-001049	C810	C-ORGANIC	47UF,20%,6.3V,FX,TP,5X5.9MM,-
2409-001049	C813	C-ORGANIC	47UF,20%,6.3V,FX,TP,5X5.9MM,-
2409-001049	C826	C-ORGANIC	47UF,20%,6.3V,FX,TP,5X5.9MM,-
2409-001049	C827	C-ORGANIC	47UF,20%,6.3V,FX,TP,5X5.9MM,-
2409-001049	C867	C-ORGANIC	47UF,20%,6.3V,FX,TP,5X5.9MM,-
2409-001076	U141	C-ORGANIC	15UF,20%,16V,WT,TP,5X5.9MM,1.4
2503-001018	IC111	C-NETWORK	15PFX4,10%,50V,-
2503-001018	IC112	C-NETWORK	15PFX4,10%,50V,-
2503-001018	IC113	C-NETWORK	15PFX4,10%,50V,-
2503-001018	IC114	C-NETWORK	15PFX4,10%,50V,-
2503-001018	IC115	C-NETWORK	15PFX4,10%,50V,-
2503-001018	IC116	C-NETWORK	15PFX4,10%,50V,-
2503-001018	IC117	C-NETWORK	15PFX4,10%,50V,-
2503-001018	IC118	C-NETWORK	15PFX4,10%,50V,-
2503-001018	IC119	C-NETWORK	15PFX4,10%,50V,-
2503-001018	IC120	C-NETWORK	15PFX4,10%,50V,-
2503-001018	IC121	C-NETWORK	15PFX4,10%,50V,-
2503-001018	IC122	C-NETWORK	15PFX4,10%,50V,-
2703-000398	L008	INDUCTOR-SMD	10uH,10%,3.2x2.5x2.2mm
2703-000398	L611	INDUCTOR-SMD	10uH,10%,3.2x2.5x2.2mm
2703-001778	L007	INDUCTOR-SMD	3.3UH,20%,3.2X2.5X2.2MM
2703-001778	L201	INDUCTOR-SMD	3.3UH,20%,3.2X2.5X2.2MM
2703-001778	L202	INDUCTOR-SMD	3.3UH,20%,3.2X2.5X2.2MM
2703-001778	L203	INDUCTOR-SMD	3.3UH,20%,3.2X2.5X2.2MM
2703-001778	L204	INDUCTOR-SMD	3.3UH,20%,3.2X2.5X2.2MM
2703-001778	L206	INDUCTOR-SMD	3.3UH,20%,3.2X2.5X2.2MM
2703-001778	L207	INDUCTOR-SMD	3.3UH,20%,3.2X2.5X2.2MM
2703-001778	L208	INDUCTOR-SMD	3.3UH,20%,3.2X2.5X2.2MM
2703-001778	L209	INDUCTOR-SMD	3.3UH,20%,3.2X2.5X2.2MM
2703-001778	L555	INDUCTOR-SMD	3.3UH,20%,3.2X2.5X2.2MM
2703-001778	L612	INDUCTOR-SMD	3.3UH,20%,3.2X2.5X2.2MM
2703-001778	L613	INDUCTOR-SMD	3.3UH,20%,3.2X2.5X2.2MM
2703-001778	L620	INDUCTOR-SMD	3.3UH,20%,3.2X2.5X2.2MM
2703-002327	L540	INDUCTOR-SMD	3.9UH,55,3.2X2.5X2.2MM
2703-002327	L541	INDUCTOR-SMD	3.9UH,55,3.2X2.5X2.2MM
2704-000001	FT935	INDUCTOR-SMD-ARRAY	4000HM,50V,0.5A,-,0.30HM,-25T085C
2704-000001	FT936	INDUCTOR-SMD-ARRAY	4000HM,50V,0.5A,-,0.30HM,-25T085C
2704-000004	FT937	INDUCTOR-SMD-ARRAY	2000HM,50V,0.5A,-,0.20HM,-25CT0+85C

2801-003667	X201	CRYSTAL-SMD	14.3182MHZ,50PPM,28-AAN,16,500HM,TP	
2801-003843	X511	CRYSTAL-SMD	18.432MHz,30ppm,28-AAN,20pF,50ohm,TP	
2801-004004	X401	CRYSTAL-SMD	20.25MHz,20ppm,28-AAN,13pF,25ohm,TP	
2801-004117	X601	CRYSTAL-SMD	6MHZ,30PPM,28-ABX,20PF,1500HM,TP	
2901-001114	FT101	FILTER-EMI SMD	25VDC,2.0ADC,-,100nF,3.2x1.6x1	
2901-001114	FT281	FILTER-EMI SMD	25VDC,2.0ADC,-,100nF,3.2x1.6x1	
2901-001114	FT901	FILTER-EMI SMD	25VDC,2.0ADC,-,100nF,3.2x1.6x1	
2901-001114	FT902	FILTER-EMI SMD	25VDC,2.0ADC,-,100nF,3.2x1.6x1	
2901-001114	FT903	FILTER-EMI SMD	25VDC,2.0ADC,-,100nF,3.2x1.6x1	
2901-001114	FT904	FILTER-EMI SMD	25VDC,2.0ADC,-,100nF,3.2x1.6x1	
2901-001114	FT923	FILTER-EMI SMD	25VDC,2.0ADC,-,100nF,3.2x1.6x1	
2901-001114	R293	FILTER-EMI SMD	25VDC,2.0ADC,-,100nF,3.2x1.6x1	
3301-001145	FT211	CORE-FERRITE BEAD	AB,4.5x1.6x1.6mm,-,-	SNA
3301-001145	FT303	CORE-FERRITE BEAD	AB,4.5x1.6x1.6mm,-,-	SNA
3301-001145	FT304	CORE-FERRITE BEAD	AB,4.5x1.6x1.6mm,-,-	SNA
3301-001145	FT814	CORE-FERRITE BEAD	AB,4.5x1.6x1.6mm,-,-	SNA
3301-001145	FT815	CORE-FERRITE BEAD	AB,4.5x1.6x1.6mm,-,-	SNA
3301-001145	FT816	CORE-FERRITE BEAD	AB,4.5x1.6x1.6mm,-,-	SNA
3301-001145	FT817	CORE-FERRITE BEAD	AB,4.5x1.6x1.6mm,-,-	SNA
3301-001145	FT818	CORE-FERRITE BEAD	AB,4.5x1.6x1.6mm,-,-	SNA
3301-001145	FT821	CORE-FERRITE BEAD	AB,4.5x1.6x1.6mm,-,-	SNA
3301-001145	FT822	CORE-FERRITE BEAD	AB,4.5x1.6x1.6mm,-,-	SNA
3301-001145	FT824	CORE-FERRITE BEAD	AB,4.5x1.6x1.6mm,-,-	SNA
3301-001145	FT825	CORE-FERRITE BEAD	AB,4.5x1.6x1.6mm,-,-	SNA
3301-001145	FT851	CORE-FERRITE BEAD	AB,4.5x1.6x1.6mm,-,-	SNA
3301-001145	FT852	CORE-FERRITE BEAD	AB,4.5x1.6x1.6mm,-,-	SNA
3301-001145	FT927	CORE-FERRITE BEAD	AB,4.5x1.6x1.6mm,-,-	SNA
3301-001145	FT928	CORE-FERRITE BEAD	AB,4.5x1.6x1.6mm,-,-	SNA
3301-001145	FT929	CORE-FERRITE BEAD	AB,4.5x1.6x1.6mm,-,-	SNA
3301-001145	U142	CORE-FERRITE BEAD	AB,4.5x1.6x1.6mm,-,-	SNA
3301-001605	FT925	CORE-FERRITE BEAD	AB,3600HM,2.0X1.2X1.2MM,100MA,TP,FERRITE,0.50HM	SNA
3301-001605	FT926	CORE-FERRITE BEAD	AB,3600HM,2.0X1.2X1.2MM,100MA,TP,FERRITE,0.50HM	SNA
3301-001605	FT930	CORE-FERRITE BEAD	AB,3600HM,2.0X1.2X1.2MM,100MA,TP,FERRITE,0.50HM	SNA
3301-001605	FT931	CORE-FERRITE BEAD	AB,3600HM,2.0X1.2X1.2MM,100MA,TP,FERRITE,0.50HM	SNA
3301-001605	FT932	CORE-FERRITE BEAD	AB,3600HM,2.0X1.2X1.2MM,100MA,TP,FERRITE,0.50HM	SNA
3301-001605	FT933	CORE-FERRITE BEAD	AB,3600HM,2.0X1.2X1.2MM,100MA,TP,FERRITE,0.50HM	SNA
3301-001605	FT934	CORE-FERRITE BEAD	AB,3600HM,2.0X1.2X1.2MM,100MA,TP,FERRITE,0.50HM	SNA
3704-000249	IC620_SOCKET	SOCKET-IC	32P,PLCC,SN,1.27mm	
3711-000556	CN701	CONNECTOR-HEADER	BOX,12P,1R,1.25mm,SMD-A,SN	SNA
3711-000922	CN501	CONNECTOR-HEADER	BOX,4P,1R,1.25mm,SMD-A,SN	
3711-002046	CNJIG	CONNECTOR-HEADER	3IWALL,12P,1R,1.25mm,SMD-S,SN	SNA
3711-002049	CN754	CONNECTOR-HEADER	BOX,6P,1R,1.25mm,SMD-A,SN	SNA
3711-002127	CN878	CONNECTOR-HEADER	BOX,8P,1R,1.25mm,SMD-A,SN	SNA
3711-003161	CN901	CONNECTOR-HEADER	BOX,20P,1R,1.25mm,ANGLE,SN	
3711-004130	CN505_1	CONNECTOR-HEADER	BOX,31P,2R,0.625mm,SMD-A,AUF	
3711-004130	CN920_1	CONNECTOR-HEADER	BOX,31P,2R,0.625mm,SMD-A,AUF	
3711-004933	CN502	CONNECTOR-HEADER	BOX,3P,1R,1.25MM,SMD-A,SN,WHT	SNA
3711-004933	CN706_1	CONNECTOR-HEADER	BOX,3P,1R,1.25MM,SMD-A,SN,WHT	SNA
BN27-00009A	L806	COIL CHOKE	SMD 12X12X6,EOS,33UH,15%,-,0.12 MAX,2A,DR10X5.0MM,18.5TS,12X12X6,1.8MM,1UEW 0.	
BN27-00010A	L805	COIL CHOKE	-,NK17NS,100UH,10%,-,0.7 MAX,6A,DR5.8X4.5MM,59.5TS,6.0X5.2X4.5MM,1.8MM,1UEW 0.	
BN27-00010A	L830	COIL CHOKE	-,NK17NS,100UH,10%,-,0.7 MAX,6A,DR5.8X4.5MM,59.5TS,6.0X5.2X4.5MM,1.8MM,1UEW 0.	
BN27-20001A	L807	COIL-CHOKE	-,53.0UH,20%,DR10*5,-,-,-,0.18ohm,-,-,-,TRAY	
BN27-20001A	L818	COIL-CHOKE	-,53.0UH,20%,DR10*5,-,-,-,0.18ohm,-,-,-,TRAY	
BN41-00186A	MP1.0	PCB MAIN	MB15EO,FR4,6L,175X181X1.23,MB15EO	SNA
BN91-00567Q	-	ASSY LCD	ES15/NK15,S7	SNA
BN07-00117A	CIS	LCD	LTM150XH-L06,CZB,6BIT_FRC,331.6*254.76*12.5,16.19MM,-,0.297*0.297,-,-,AMLCD/1 LV	
BN92-00503A	-	ASSY BOX	LW15S13WX/XEC,SESA,SPAGE 65	SNA
BH68-00329A	CIS	LABEL BAR CODE	ALL,MPRII,DOM,EXPORT,ART-PAPER 90G,-,-,-,-,WHT,-,-	SNA
BH75-10529A	CIS	UNIT-HANDLE PACKING	LXA410TLMU,PE,-,WHITE,-	SNA

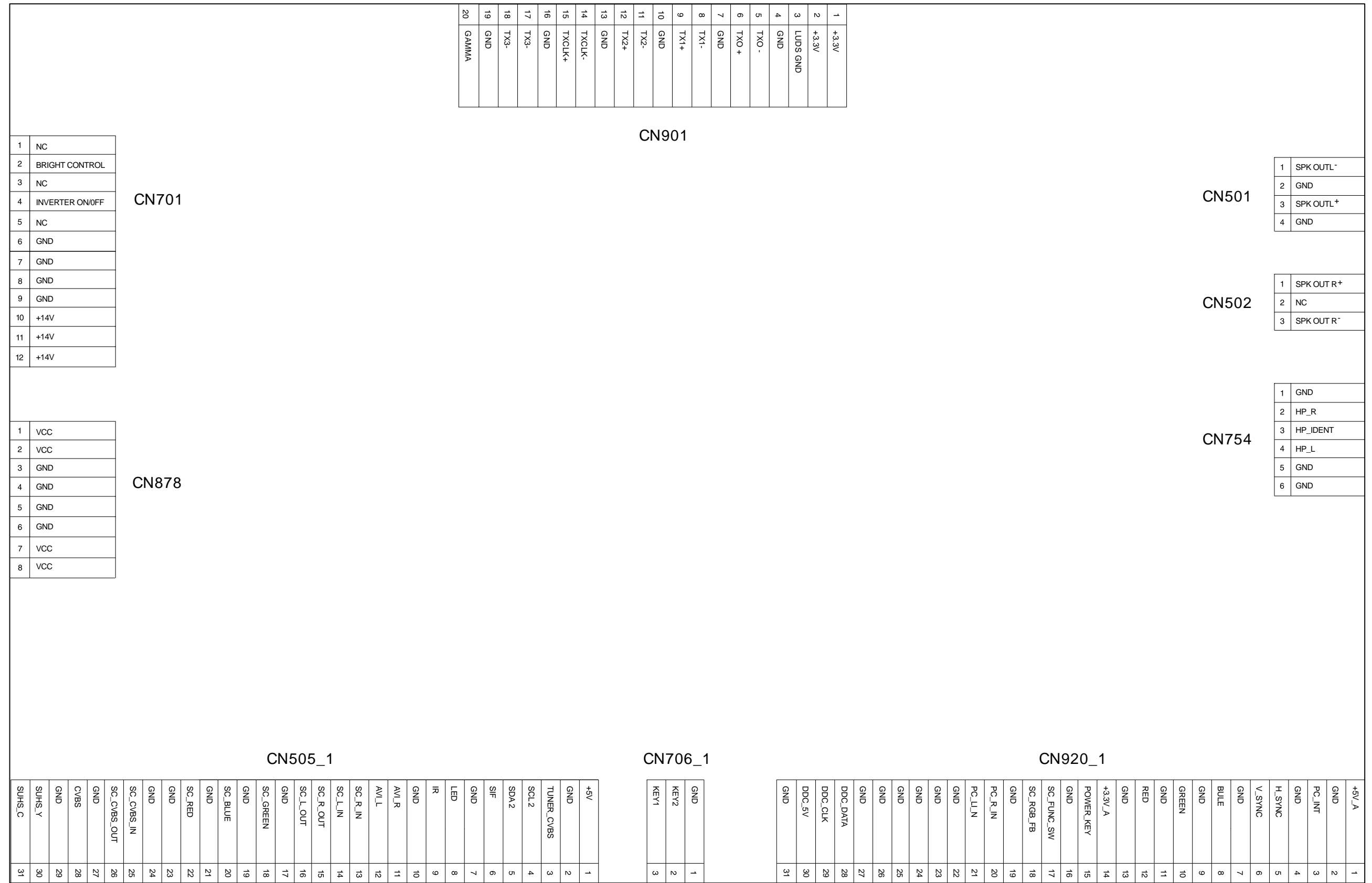
BN72-60001A	CIS	LEVER TOP	LSD210TL, PE-LD, WHITE, TFT_LCD	SNA
BN72-60002A	CIS	LEVER BOTTOM	LSD210TL, PE-LD, WHITE, TFT-LCD	SNA
BN69-00341A	CIS	BOX	LW15S13C, GUJU, CB-SW4, YEL, A-1, L523*W415*H90	SNA
BN92-00506A	-	ASSY P/MATERIAL	MB15EO	SNA
0203-001100	CIS	TAPE-OPP MASKING	OPP/W75/CLR, TO.05, W75, L800000, CLR	SNA
BH69-00256C	CIS	PAD-PACKING-EDGE	MV940, B400, W200, L2030, -, -, YEL, -, -	SNA
BH69-00260A	CIS	BAG AIR	DP17L, PE, 0.2, 1800, 1000, NATURAL, -	SNA
BH69-30002C	CIS	BAG-PE	LDPE, TO.05, W2400, NO_PRINT	SNA
BH69-30348C	CIS	BAG-PE	HDPE, TO.02, W350*L430, Y, -, CGB51	SNA
BH69-30355E	CIS	BAG-PE/N	NK15, PE FOAM, 0.5, 650, 650, NTR	SNA
BH69-30360A	CIS	BAG-AIR	HDPE, TO.2, W1000*L1800, N, -, ALL	SNA
BH69-40380A	CIS	PACKING-PAD	DW-2, 500X2200X200, -, CGK5527	SNA
BN69-00274A	CIS	CUSHION	RB15, EPS, -, -, -, -, -, M50	SNA
BN69-00293F	CIS	PALLET-PACKING	MB15, STEEL, 1290, 1080, 100	SNA
BN92-00578T	-	ASSY ACCESSORY	LW15S13WX/XEC, SESA, SPAIN	SNA
BN59-00225A	CIS	REMOCON	-, TM71, NIKE, 41, GR20, BLUE, PAL, -, -, -, -	
BN96-00145T	CIS	ASSY ACCESSORY	LW15S13WX/XEC, SESA, SPAIN	
0203-000214	CIS	TAPE-OPP MASKING	OPP/W50/CLR, TO.05, W50, L400000,	SNA
4301-000121	CIS	BATTERY-MN	1.5V, -, AAA, 10.5x44.5m, HOLDER	SNA
BH39-10339H	CIS	CBF POWER CORD	DET, H05VV-F, 250V/10, 16A, BLK, 25	
BH39-40355W	CIS	CBF-HARNESS	-, 2000MM, IVORY, -, -, -	
BH69-30348D	CIS	BAG-PE	LDPE, TO.05, W240*L356, Y, -, CMG73	SNA
BN39-00043A	CIS	CBF SIGNAL	DETACHABLE, -, 15P/15P, -, -, -	
BN96-00145Y	CIS	ASSY ACCESSORY	211MP, DOMESTIC, KOREA	
0203-000214	CIS	TAPE-OPP MASKING	OPP/W50/CLR, TO.05, W50, L400000,	SNA
6801-001009	CIS	CARD-WARRANTY	EUROPE (12), 8	SNA
6801-001014	CIS	CARD-REGISTRATION	XEU, ENG, MOJO100, L150, W392, -, -	SNA
6801-001015	CIS	CARD-REGISTRATION	XEG, GERMAN, MOJO100, L150, W392, -, -	SNA
6801-001016	CIS	CARD-REGISTRATION	XEF, FRENCH, MOJO100, L150, W392, -, -	SNA
6801-001017	CIS	CARD-REGISTRATION	XEC, SPANISH, MOJO100, L150, W392, -, -	SNA
6801-001019	CIS	CARD-REGISTRATION	XEN, DUTCH, MOJO100, L150, W392, -, -	SNA
6801-001020	CIS	CARD-REGISTRATION	XEP, PORTUGAL, MOJO100, L150, W392, -, -	SNA
BH69-30348D	CIS	BAG-PE	LDPE, TO.05, W240*L356, Y, -, CMG73	SNA
BN68-00281D	CIS	MANUAL USERS	LW15S13C, SAMSUNG, E/F/S/G/P/I/SW, EUROPE, MOJO100G	SNA
BN92-00619J	-	ASSY LABEL	LW15S13CX/XEC	SNA
AA68-50502A	CIS	LABEL-CONFORMATION	W/P100(G), CTV, ITALY, 170x110, BL	SNA
BN68-00267B	CIS	LABEL RATING	MB15EO, EDC, PE, TO.05, 65, 79, PE NATURE	SNA

CONFIDENTIAL



9 Wiring Diagram

9-1 Main Diagram

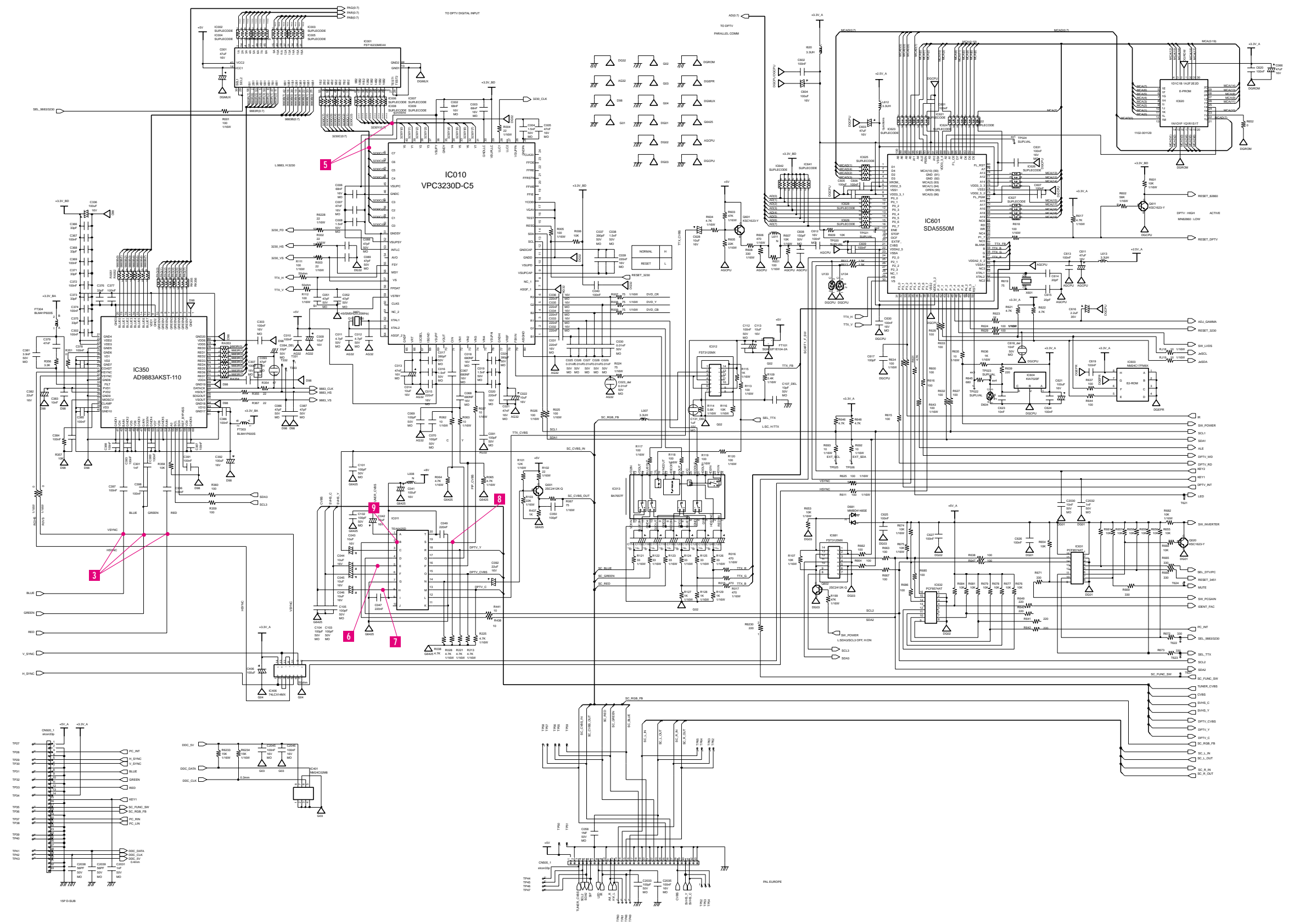


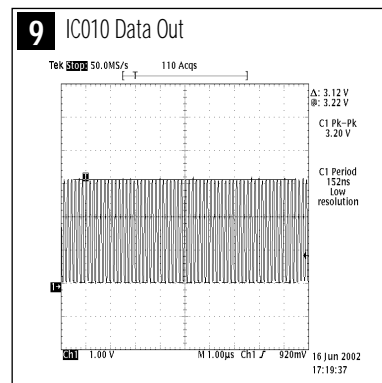
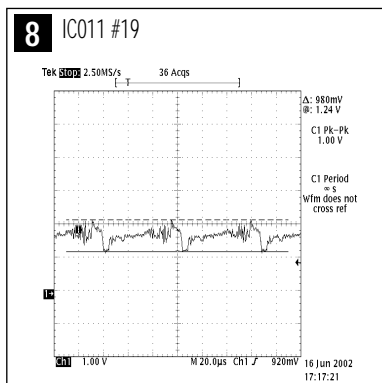
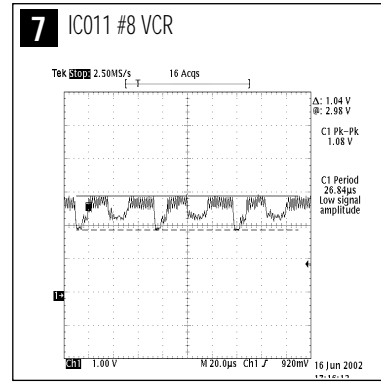
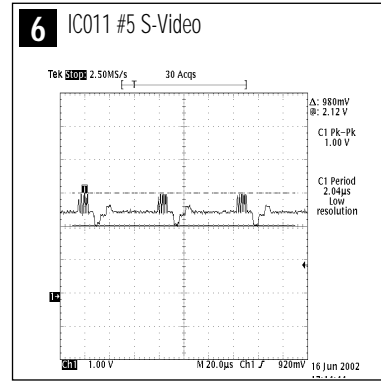
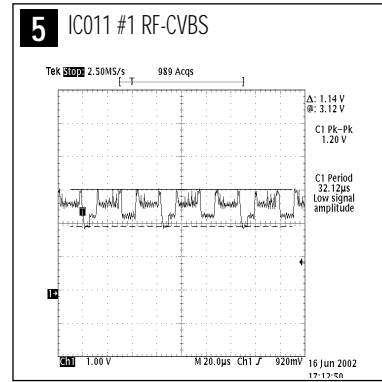
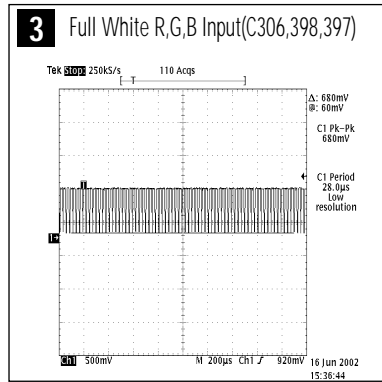
9-2 Input Diagram



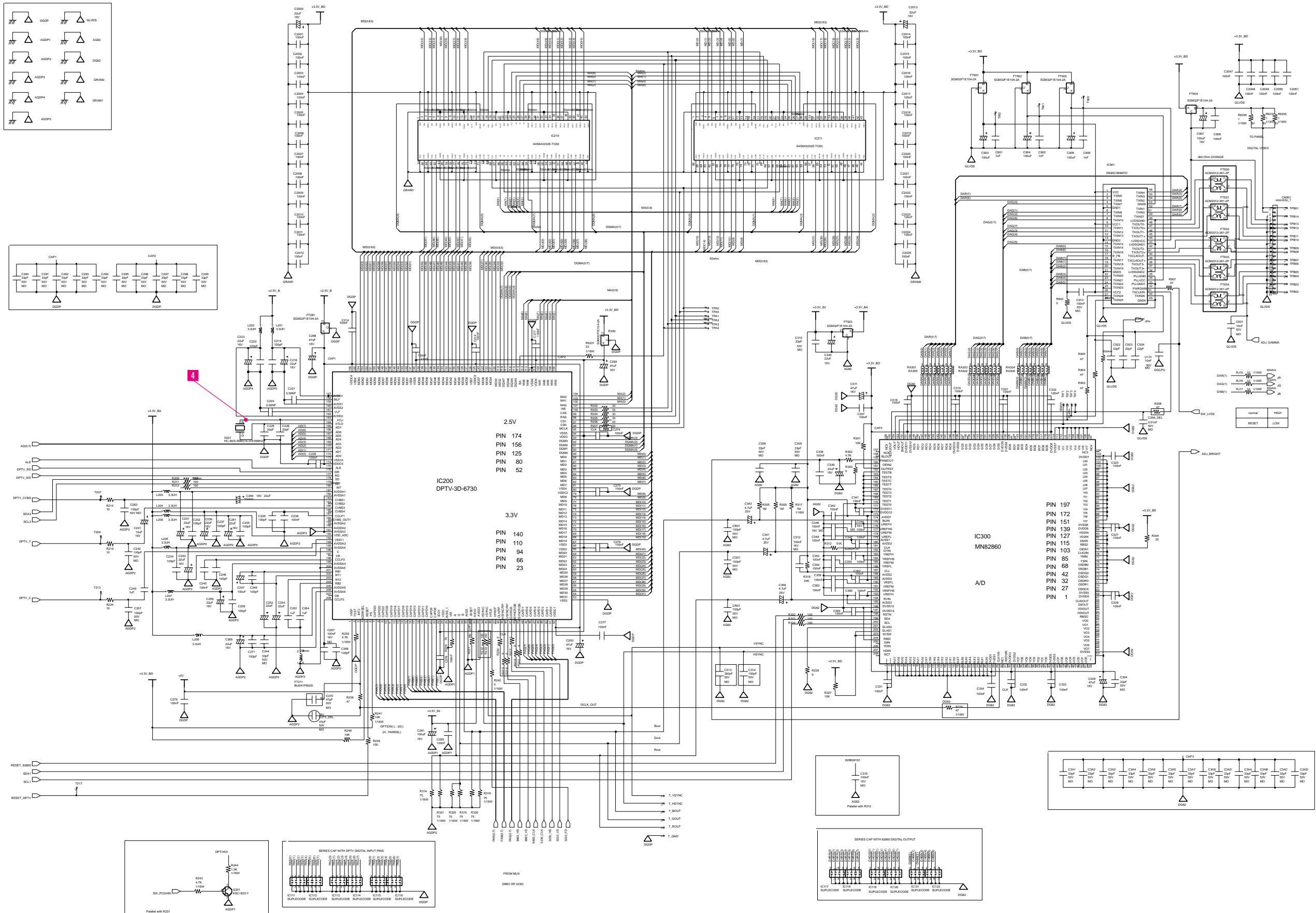
10 Schematic Diagrams

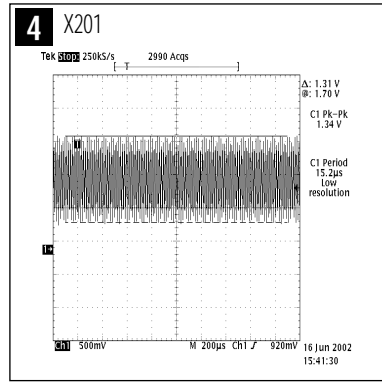
10-1 CPU Block & Signal Processing Part Schematic Diagram



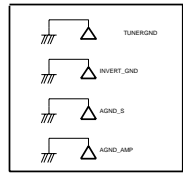
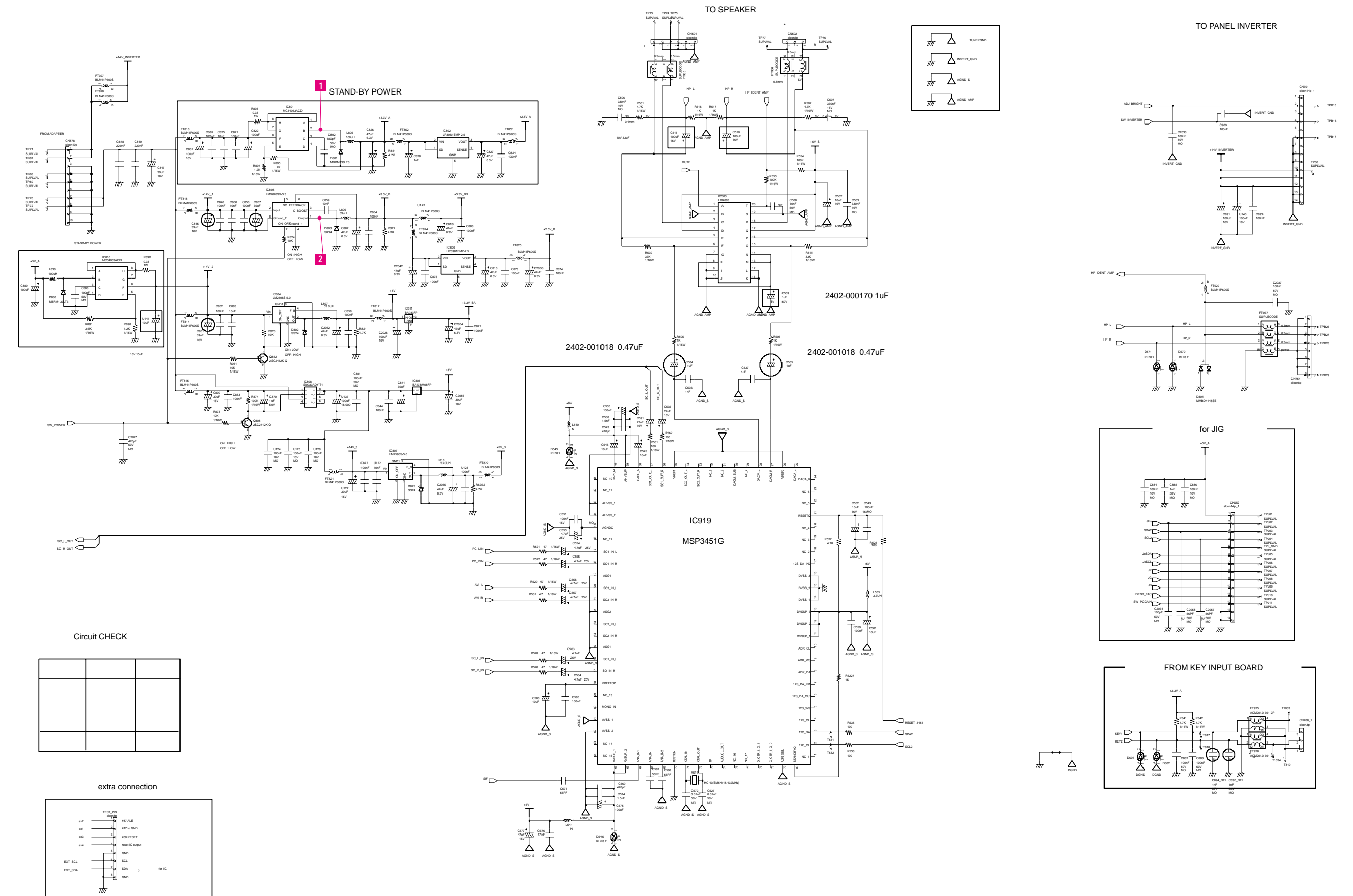


10-2 Scaler & Digital Output Part Schematic Diagram

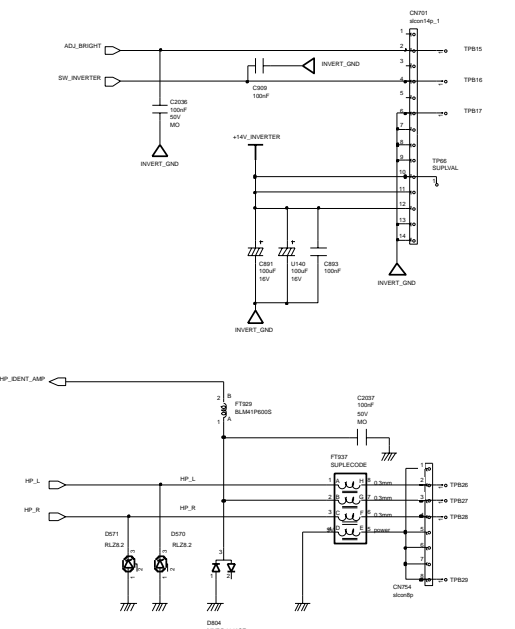




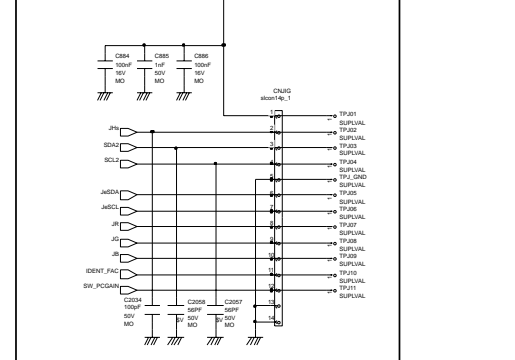
10-3 DC Power Input, Sound, Tuner, ETC Part Schematic Diagram



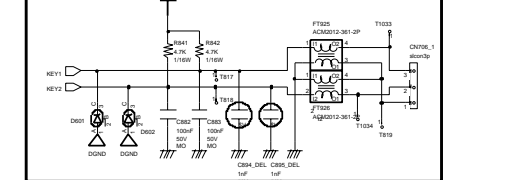
TO PANEL INVERTER



for JIG

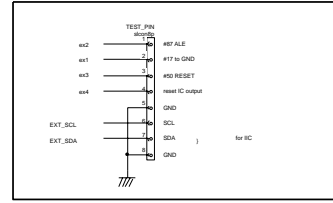


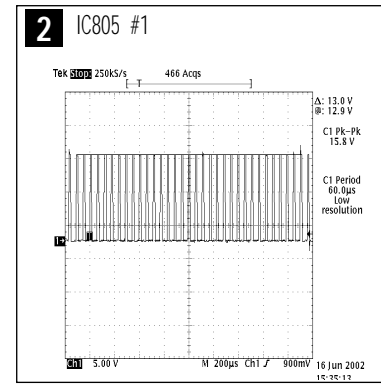
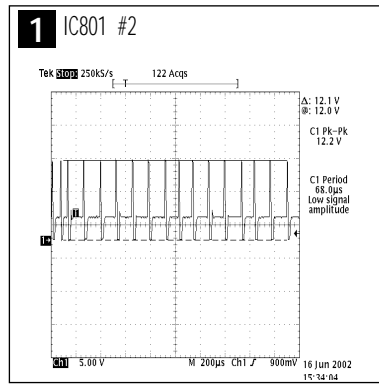
FROM KEY INPUT BOARD



Circuit CHECK

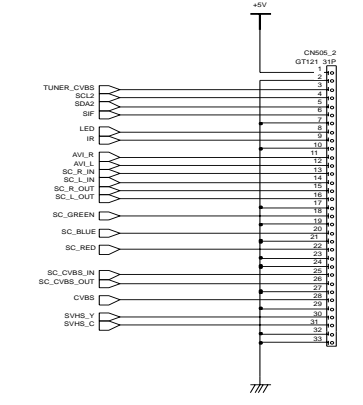
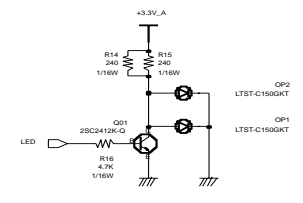
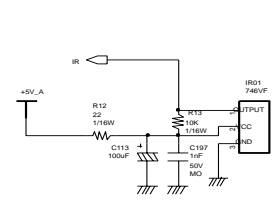
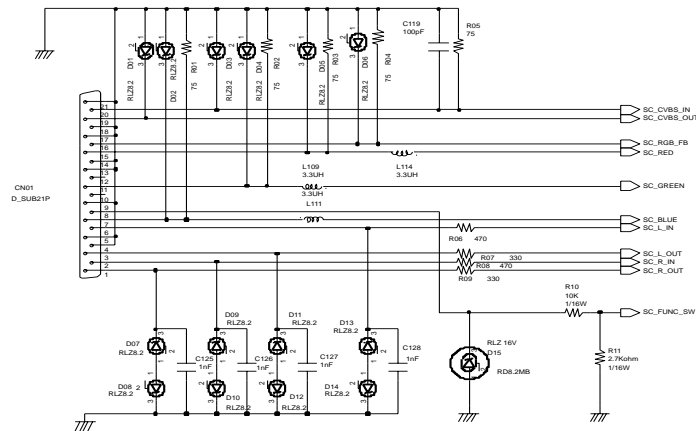
extra connection



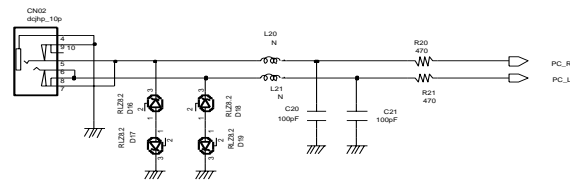


10-4 Input_SUB Part Schematic Diagram

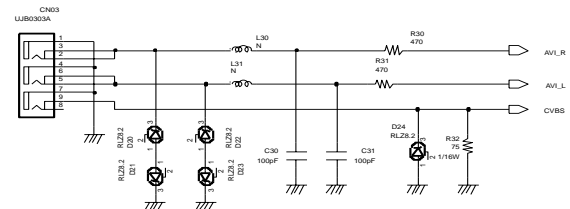
SCART



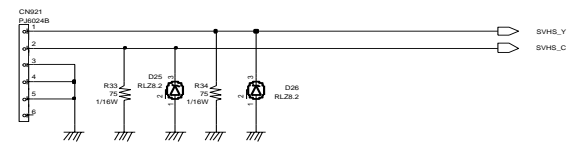
PC Audio



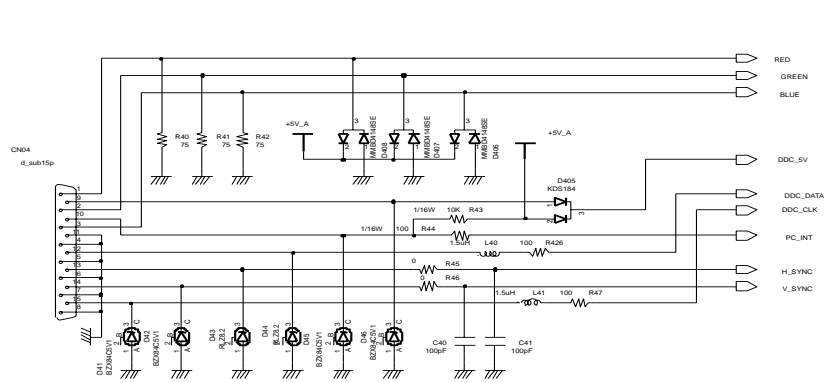
CVBS Input



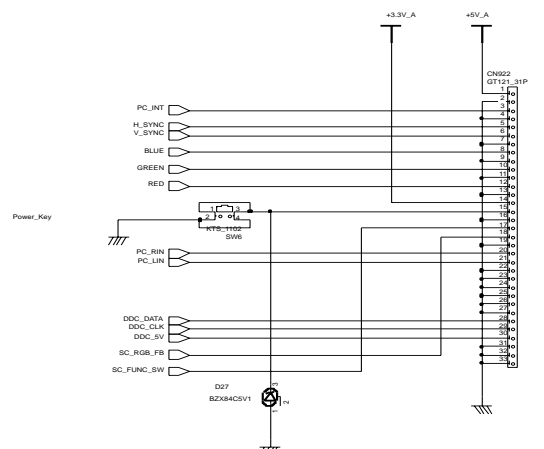
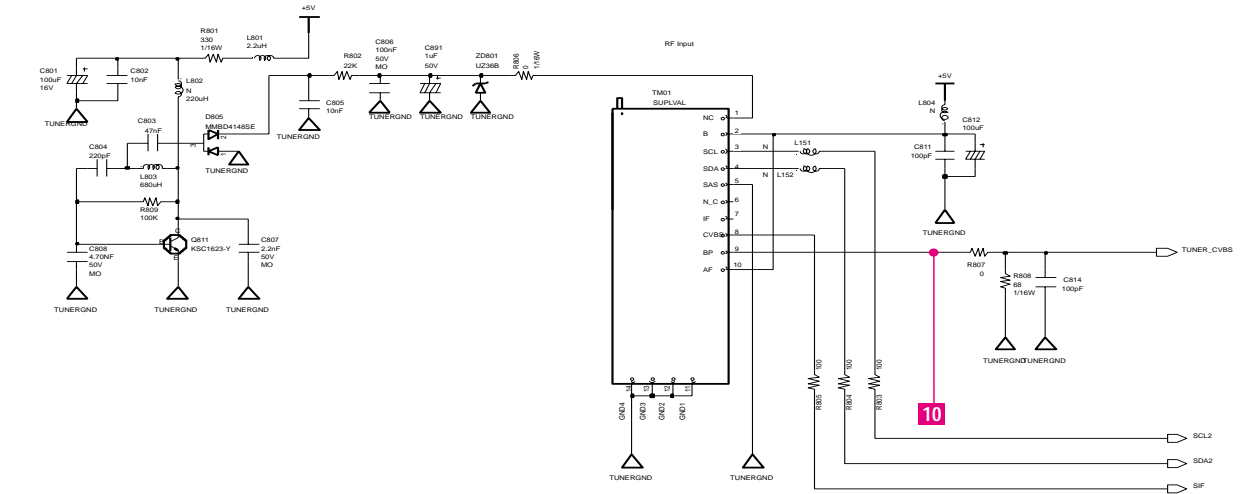
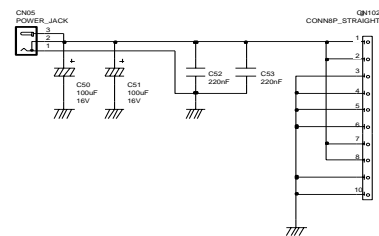
S_Video Input (Y/C)

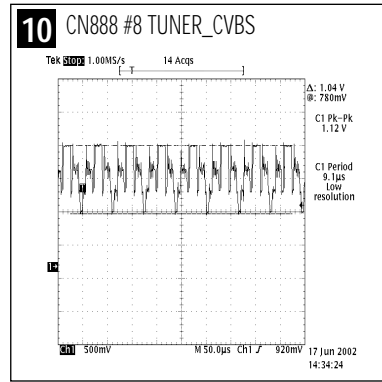


R/G/B Input



DC POWER







Samsung Electronics Co.,Ltd.

416, Maetan-3Dong, Paldal-Gu, Suwon City, Kyungki-Do, Korea.

Printed in Korea 442-742

P/N : BN82-00070C-00

<http://www.samsungmonitor.com> (SyncMaster Worldwide)

<http://www.samsung-monitor.com> (SyncMaster USA)

<http://www.sec.co.kr/monitor> (Korea)